



## INSTALLATION INSTRUCTIONS

Accessory  
AUTOMATIC DAY/NIGHT MIRROR

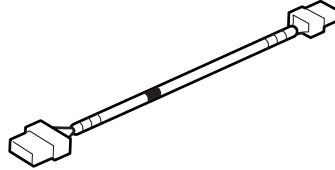
Application  
2014 ODYSSEY

Publications No.  
All 49695  
Issue Date  
JUNE 2013

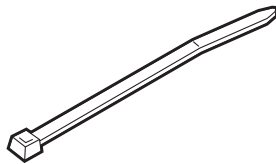
### PARTS LIST

Automatic Day/Night Mirror Attachment Kit  
P/N 08V03-SZA-100

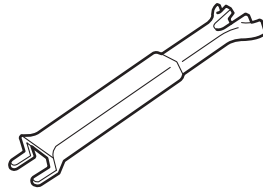
Automatic Day/Night mirror harness



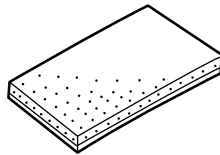
3 Wire ties



Harness cover

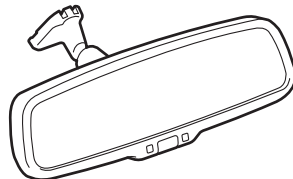


2 EPT sealers



Automatic Day/Night Mirror Kit  
P/N 08V03-SZA-100A

Automatic Day/Night mirror



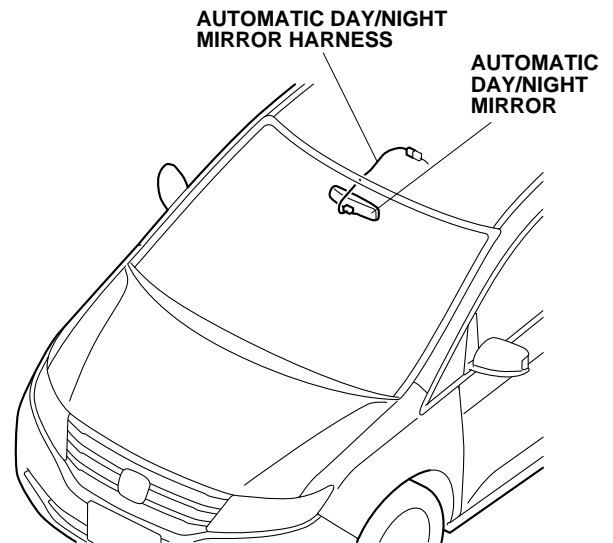
### TOOLS AND SUPPLIES REQUIRED

Small flat-tip screwdriver  
Phillips screwdriver  
10 mm Open end wrench  
T20 TORX wrench  
Diagonal cutters  
Shop towel

Trim Tool Set (SOJATP2014)

Available through the Honda Tool and Equipment program. On the iN, click on: Service/Service Bay/Tool and Equipment Program, then enter the number under "Search." Or call 888-424-6857.

### Illustration of the Automatic Day/Night Mirror in the Vehicle

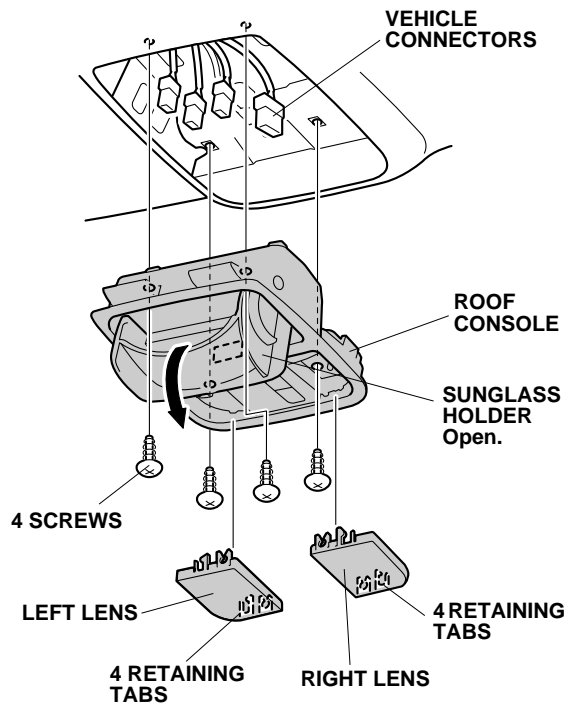


### INSTALLATION

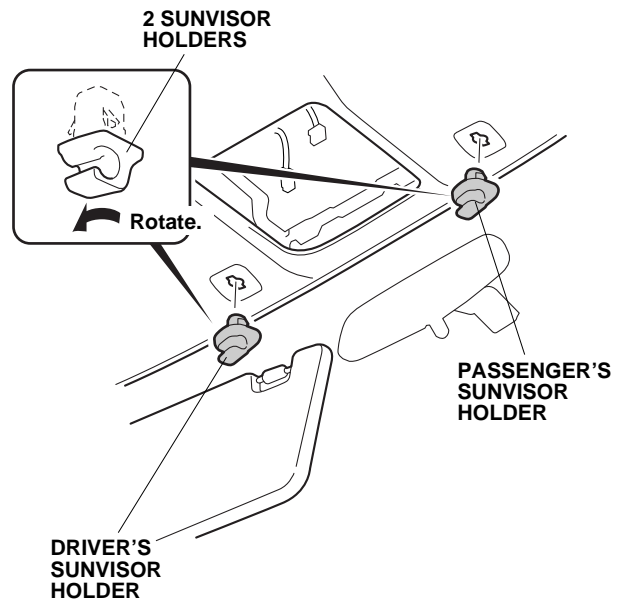
**Customer Information:** The information in this installation instruction is intended for use only by skilled technicians who have the proper tools, equipment, and training to correctly and safely add equipment to your vehicle. These procedures should not be attempted by "do-it-yourselfers."

1. Make sure you have the anti-theft code for the audio unit and navigation system (if equipped), then write down the radio station presets.
2. Disconnect the negative cable from the battery.

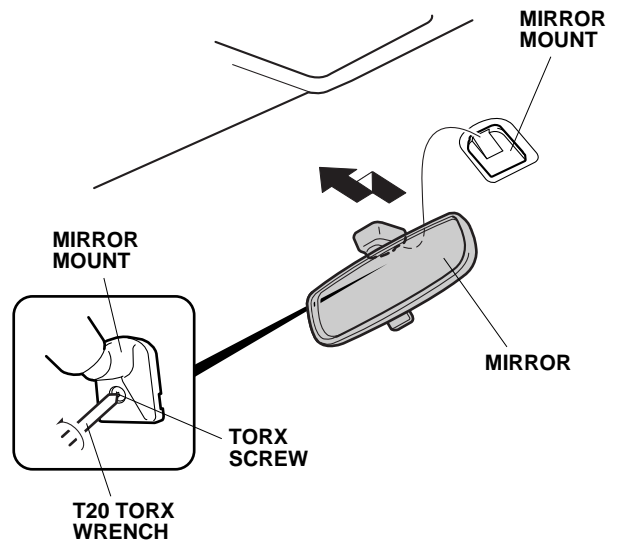
3. Remove the roof console.
- Using a small flat-tip screwdriver wrapped with a shop towel, pry out and remove the left and right lenses (four retaining tabs each).
  - Open the sunglass holder and remove the four screws.
  - Remove the roof console (unplug the vehicle connectors).



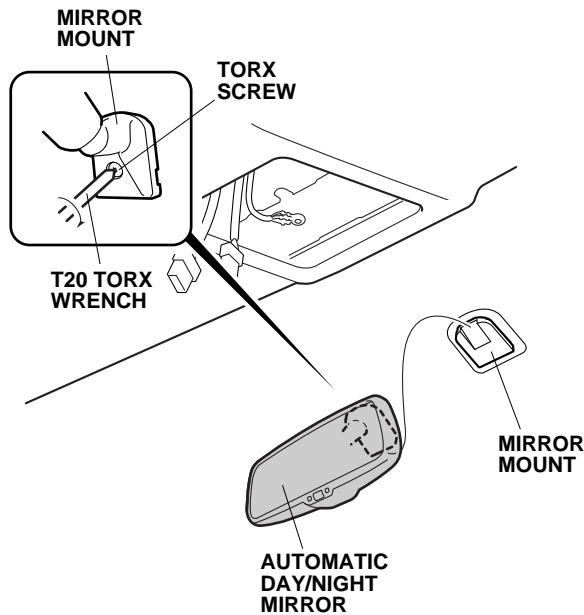
4. Rotate each sunvisor holder 45° counterclockwise, then remove it.



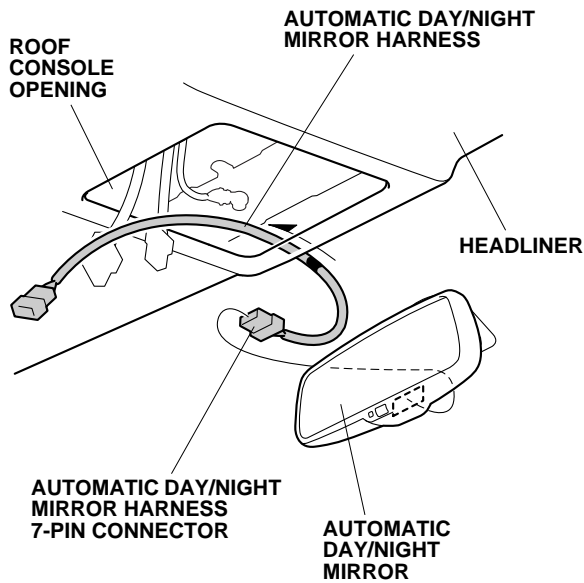
5. Loosen the torx screw, and remove the mirror.



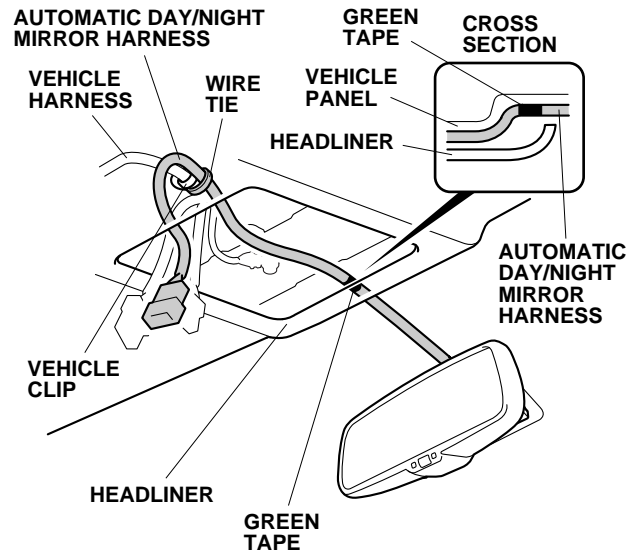
6. Install the automatic day/night mirror on the mirror mount as shown, and tighten the torx screw.



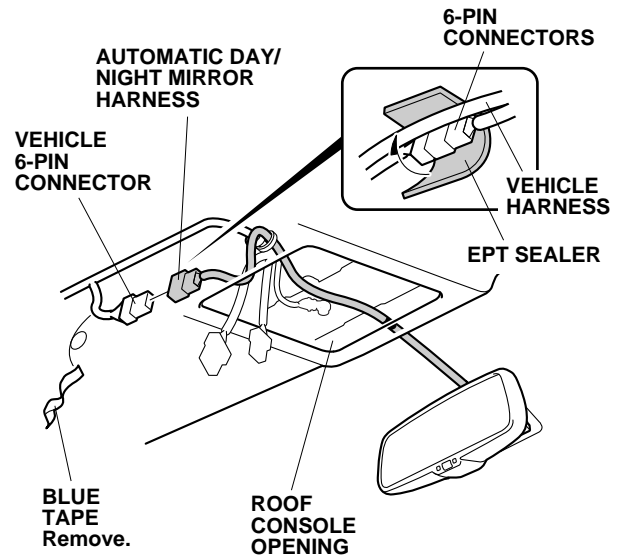
7. Route the automatic day/night mirror harness as shown. Plug the automatic day/night mirror harness 7-pin connector to the automatic day/night mirror.



8. Align the green tape on the automatic day/night mirror harness to the edge of the headliner.

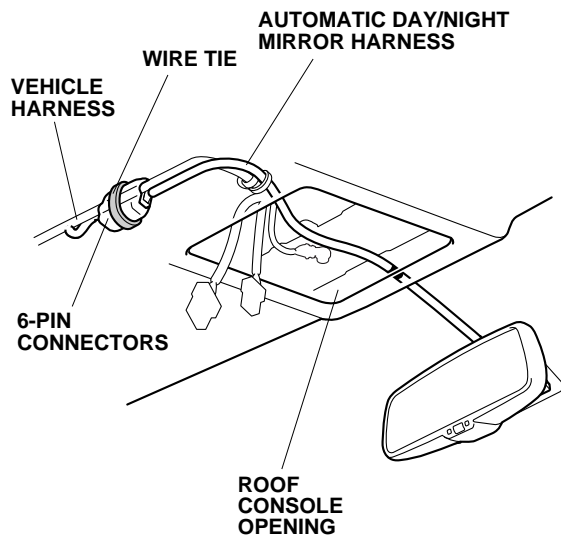


9. Secure the automatic day/night mirror harness to the vehicle harness with one wire tie. Secure the wire tie beside the vehicle clip.
10. Remove the blue tape to release the vehicle 6-pin connector.

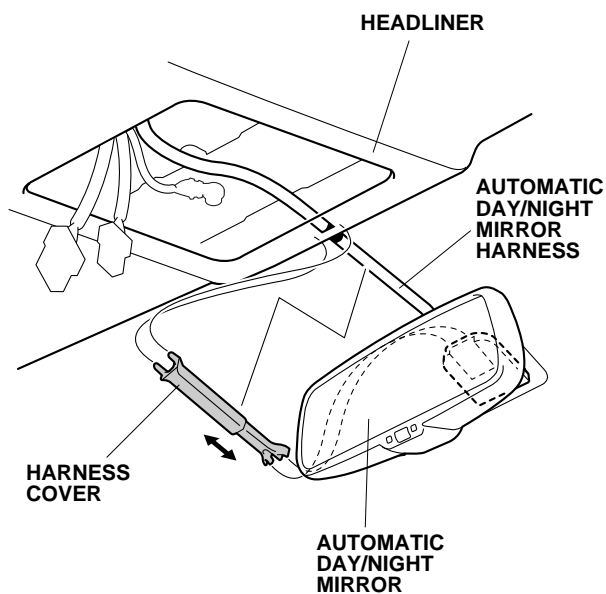


11. Plug the automatic day/night mirror harness 6-pin connector to the vehicle 6-pin connector.
12. Wrap one EPT sealer around the 6-pin connectors and vehicle harness.

13. Secure the 6-pin connectors and vehicle harness with one wire tie.



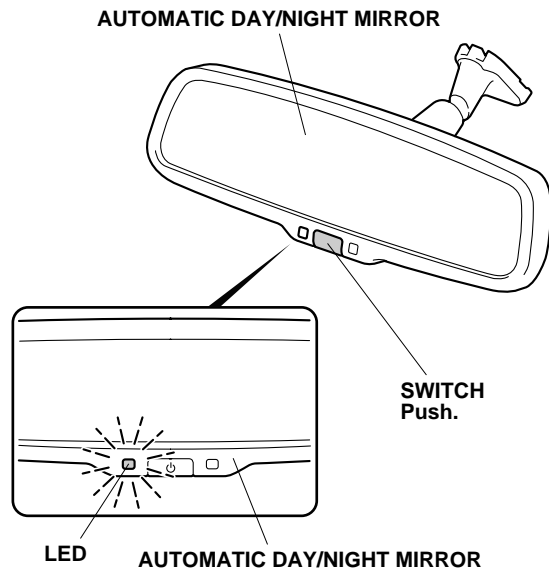
14. Install the harness cover.



15. Check that all wire harnesses and cables are routed properly and that all connectors are plugged in.
16. Reinstall all removed parts.
17. Reconnect the negative cable to the battery.
18. Enter the anti-theft code for the audio unit and navigation system (if equipped) and reset the radio station presets.
19. Reset the clock on vehicles without navigation.

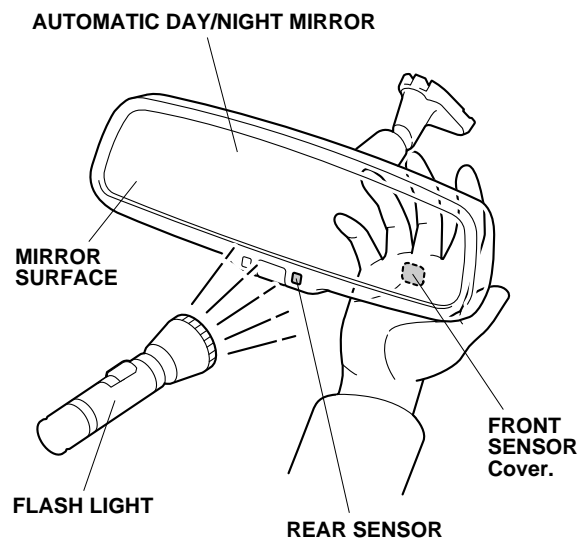
## Function Check

1. Turn the ignition switch to ON (II), but do not start the engine.



2. Push the switch. Check that the LED illuminates.

3. Cover the front sensor on the automatic day/night mirror with your hand. Using a flashlight, light the rear sensor on the automatic day/night mirror. Make sure that the mirror surface dims.



4. With the parking brake applied, step on the brake pedal and move the select lever to the "R" position. Repeat step 3, and make sure that the mirror surface does not dim. If the automatic day/night mirror does not function properly, check the fuse and all connectors.