



## INSTALLATION INSTRUCTIONS

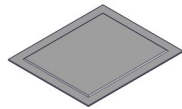
<b>Accessory</b> <b>REAR BUMPER METAL PANEL</b> <b>P/N 08P01-TXM-100</b>	<b>Application</b> <b>2022 INSIGHT</b>	<b>Publications No.</b> <b>VERSION 1</b>
		<b>Issue Date</b> <b>MAY 2021</b>

### PARTS LIST

Rear bumper metal panel



Alcohol wipe



### TOOLS AND SUPPLIES REQUIRED

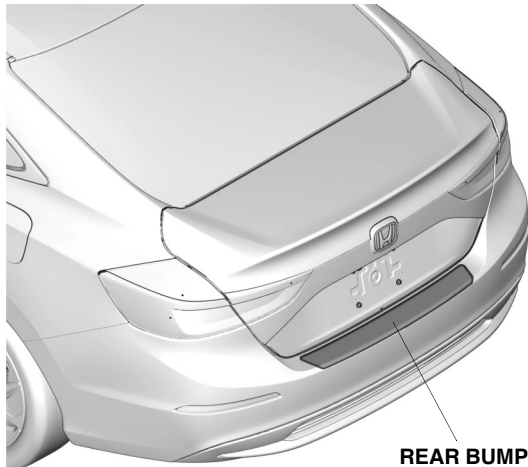
Masking tape

Felt-tip pen

*The following tool is available through the Honda Tool and Equipment Program. On the iN, click on Service > Service Bay > Tool and Equipment Program, then enter the number under "Search." Or, call 888-424-6857.*

Rubber Roller (T/N MHLE54D)

### Illustration of the Rear Bumper Metal Panel Installed on the Vehicle



**REAR BUMPER METAL PANEL**

QG00301AR

### INSTALLATION

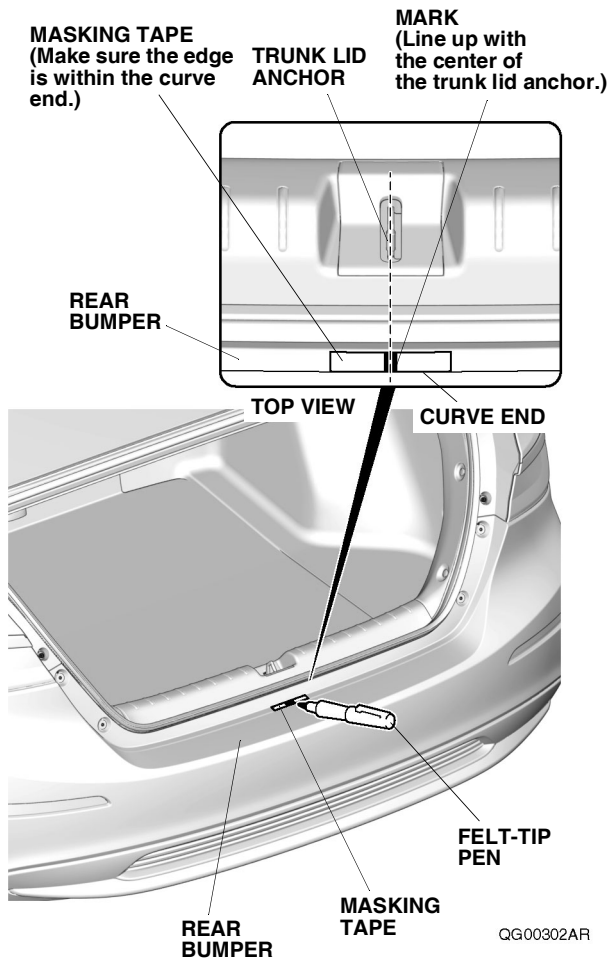
**Customer Information:** The information in this installation instruction is intended for use only by skilled technicians who have the proper tools, equipment, and training to correctly and safely add equipment to your vehicle. These procedures should not be attempted by "do-it-yourselfers."

#### NOTE:

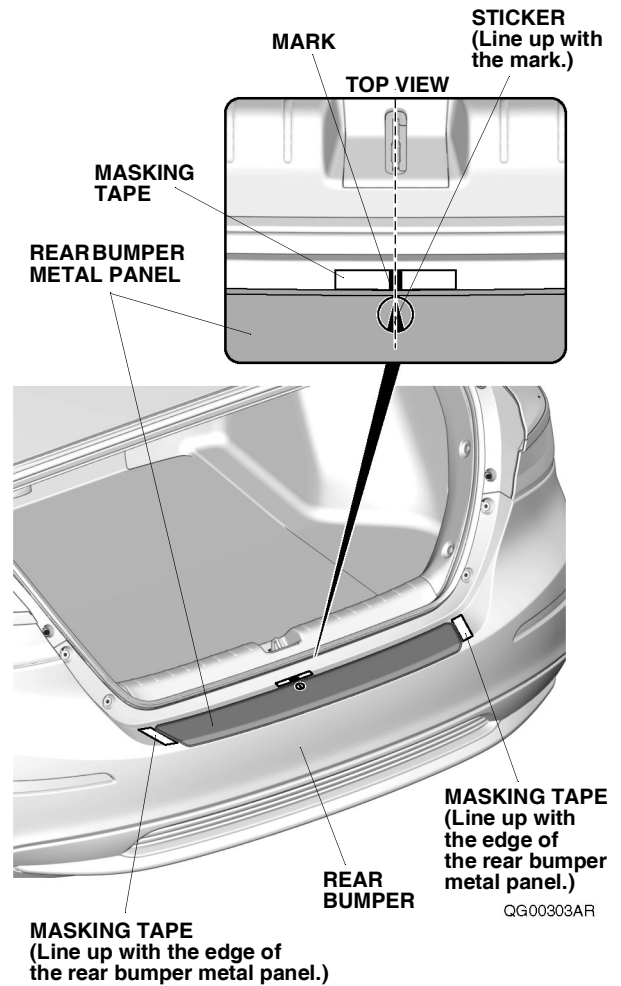
- Be careful not to damage the body paint finish.
- This kit should be installed only if the ambient air temperature is 15°C (60°F) or above.
- To allow the adhesive to cure, do not wash the vehicle for 24 hours. Make sure the customer is aware of this.

## Installing the Rear Bumper Metal Panel

1. Open the trunk lid. Attach masking tape to the rear bumper, and mark it using a felt-tip pen as shown.

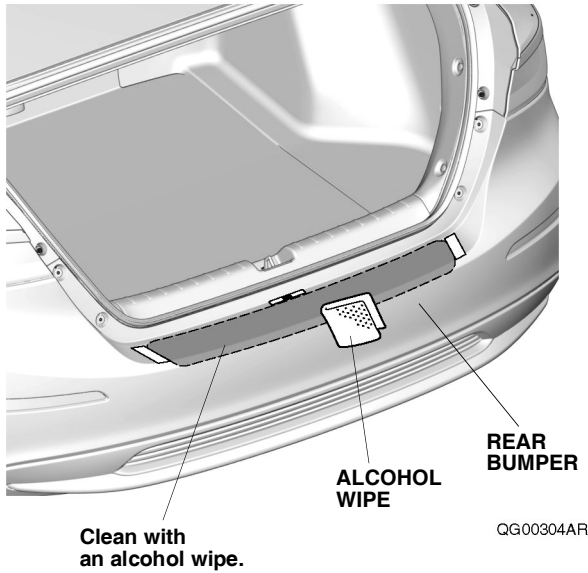


2. Line up the sticker on the rear bumper metal panel with the mark on the masking tape. Then, attach masking tape at both ends as shown.

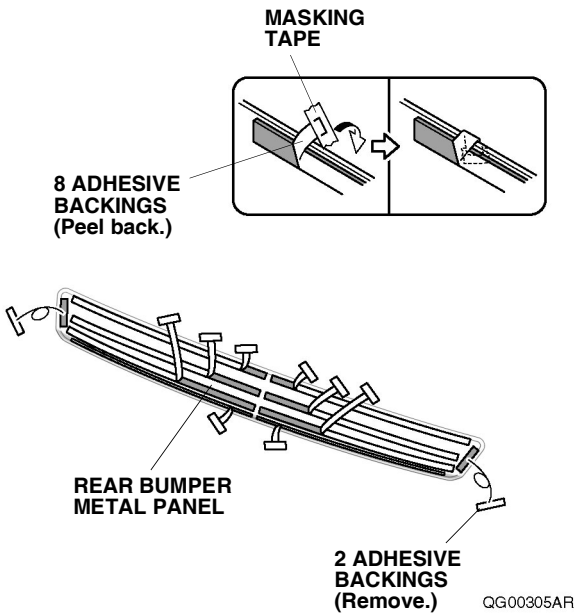


3. Remove the rear bumper metal panel.

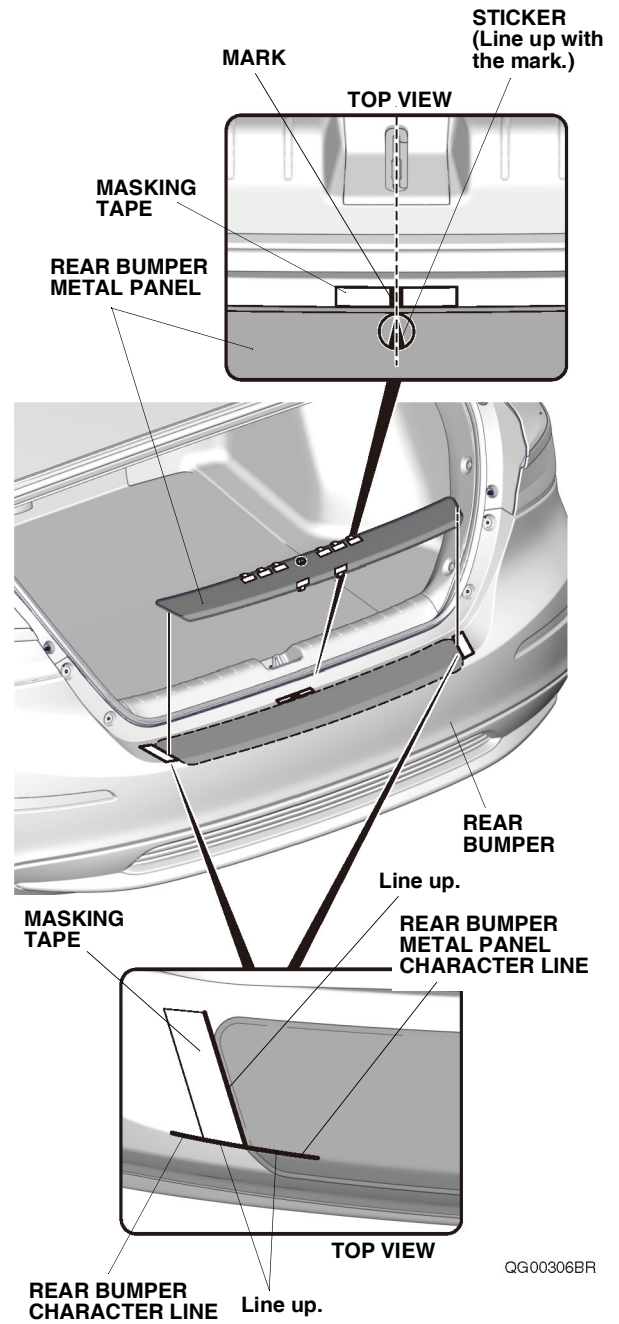
- Using an alcohol wipe, thoroughly clean the rear bumper where the rear bumper metal panel will attach.



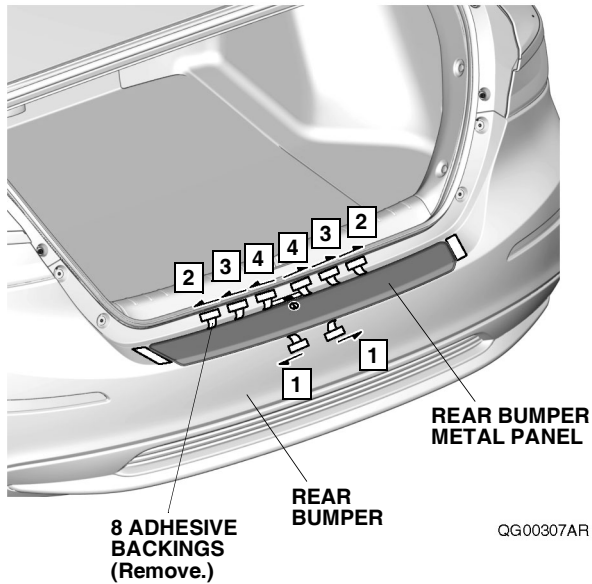
- Peel back the adhesive backings, and tape them to the front surface of the rear bumper metal panel with masking tape. Remove the remaining adhesive backings.



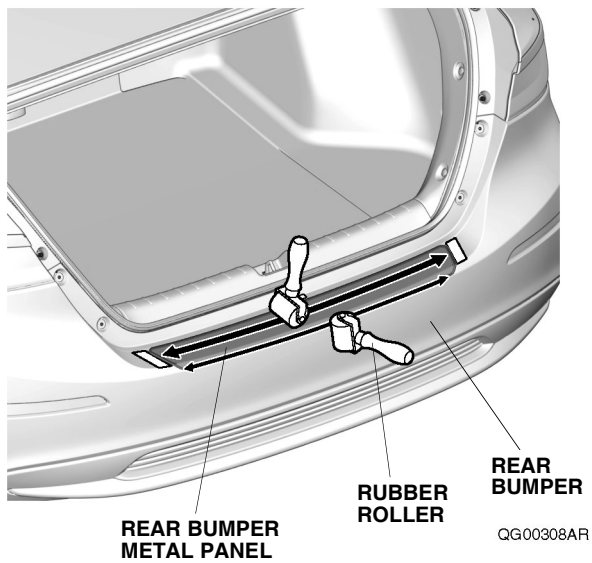
- Attach the rear bumper metal panel to the rear bumper by lining it up with the masking tape as shown.



7. While applying light pressure to the rear bumper metal panel, carefully remove the taped adhesive backings as shown.



8. Using a rubber roller, apply firm pressure against the rear bumper metal panel and roll from the center to the outside.  
NOTE: Apply firm pressure, especially at the ends.



9. Remove masking tape and the sticker on the rear bumper metal panel.