



INSTALLATION INSTRUCTIONS

Accessory	Application	Publications No.
CARGO NET P/N 08L96-TBA-100	2021 INSIGHT	VERSION 1
		Issue Date MAR 2020

PARTS LIST

Cargo net



4 Anchors



4 Bolts



4 Rivet nuts



TOOLS AND SUPPLIES REQUIRED

19 mm Open end wrench

Drill

9 mm Drill bit

Eye protection (face shield, safety goggles, etc.)

Touch-up paint

File

Hex wrench

Tape

Ruler

The following tools are available through the Honda Tool and Equipment Program. On the iN, click on Service > Service Bay > Tool and Equipment Program, then enter the number under "Search". Or, call 888-424-6857.

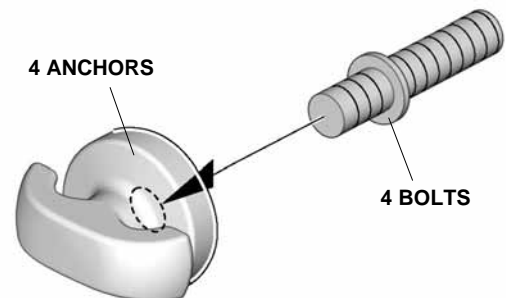
- Rivet Nut Tool, 6 mm (T/N 07AAE-000A100)
- Plastic Trim Tool (T/N SILTRIMTL10)

INSTALLATION

Customer Information: The information in this installation instruction is intended for use only by skilled technicians who have the proper tools, equipment, and training to correctly and safely add equipment to your vehicle. These procedures should not be attempted by "do-it-yourselfers."

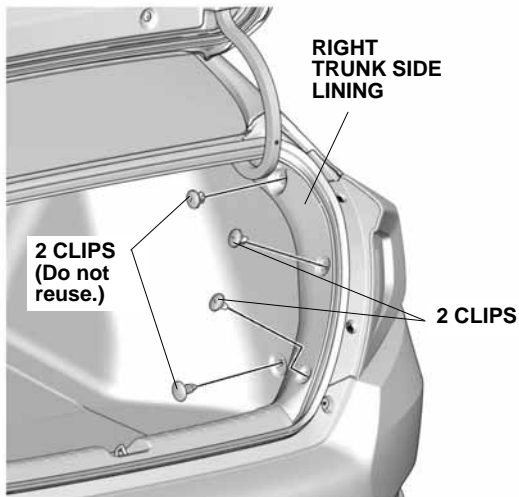
NOTE: Be careful not to damage the body.

1. Install the four bolts into the four anchors.



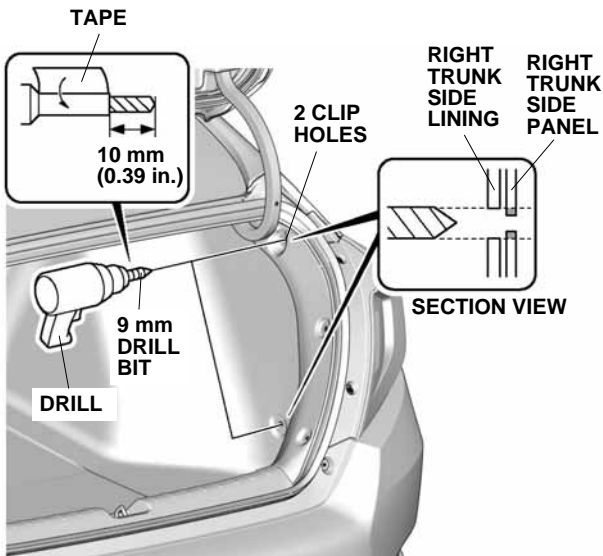
QE31201AU

2. Open the trunk lid. Remove the four clips from the right trunk side lining. Repeat on the other side.



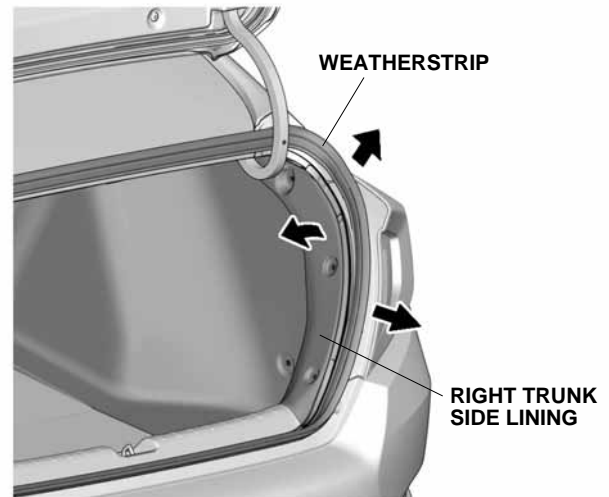
QE31202AU

3. While wearing eye protection, drill the two clip holes in the right trunk side panel to 9 mm. Repeat on the other side.
NOTE: To prevent drilling through the inner panel, wrap tape around the drill bit 10 mm (0.39 in.) away from the tip.



QE31203AU

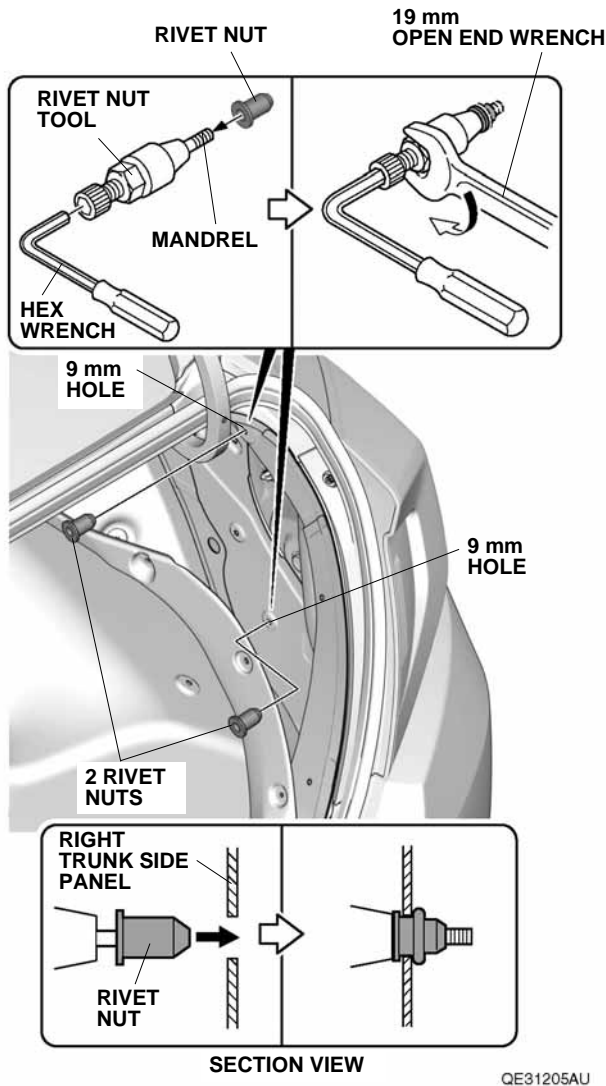
4. Pull away the weatherstrip, and pull back the right trunk side lining.



QE31204AU

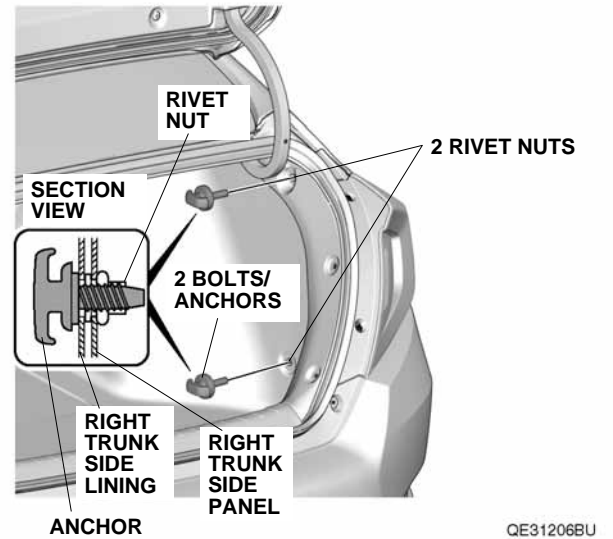
5. Remove any burrs, and apply touch-up paint to each hole.

6. Install two rivet nuts in the 9 mm holes you enlarged as described in the following steps.

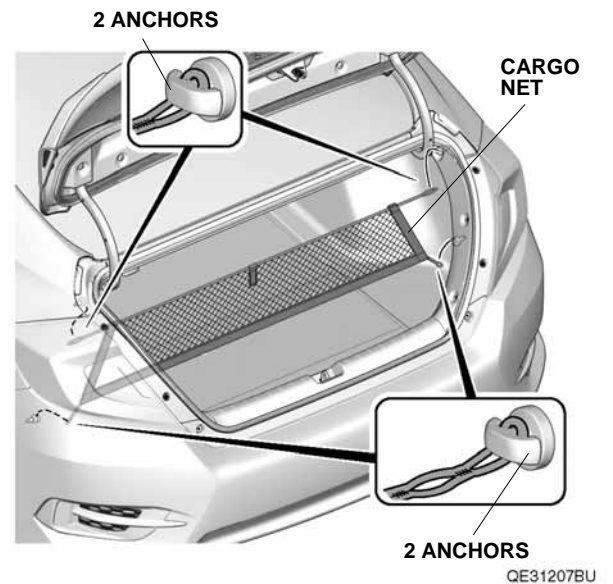


7. Screw the rivet nut onto the mandrel as shown.
 8. Insert the rivet nut into the hole in the right trunk side panel, and install the hex wrench on the rivet nut tool.
 9. While holding the rivet nut tool with the hex wrench, turn the open end wrench clockwise to install the rivet nut to the right trunk side panel.
 10. Remove the rivet nut tool from the rivet nut by turning the hex wrench counterclockwise.
 11. Repeat steps 4 through 10 on the other side.
 12. Install the trunk side lining and weatherstrip.

13. Install two bolts/anchors into the rivet nuts. Repeat on the other side.



14. Install the cargo net on the anchors in the trunk.



NOTE:

- Do not store large or fragile objects in the net.
- Do not store objects with sharp edges or corners, as they may damage the cargo net or the vehicle. Wrap them in paper or a blanket so they will not contact the net directly.