



## INSTALLATION INSTRUCTIONS

Accessory  
BODY SIDE MOLDINGS  
P/N 08P05-TXM-100

Application  
2021 INSIGHT

Publications No.  
**VERSION 1**  
Issue Date  
**MAR 2020**

### PARTS LIST

Left front body side molding



Right front body side molding



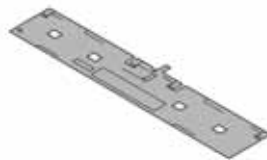
Left rear body side molding



Right rear body side molding



Template



4 Alcohol wipes



### TOOLS AND SUPPLIES REQUIRED

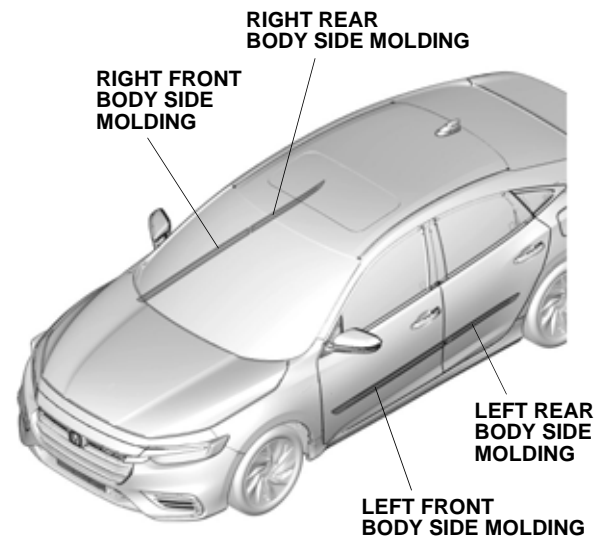
Masking tape

Ruler

*The following tool is available through the Honda Tool and Equipment Program. On the iN, click on Service > Service Bay > Tool and Equipment Program, then enter the number under "Search." Or, call 888-424-6857.*

Rubber Roller (T/N MHLE54D)

### Illustration of the Body Side Moldings Installed on the Vehicle



QG00701AT

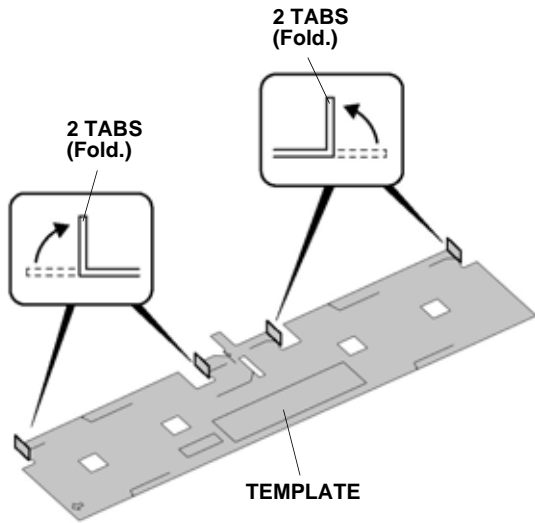
### INSTALLATION

**Customer Information:** The information in this installation instruction is intended for use only by skilled technicians who have the proper tools, equipment, and training to correctly and safely add equipment to your vehicle. These procedures should not be attempted by "do-it-yourselfers."

#### NOTE:

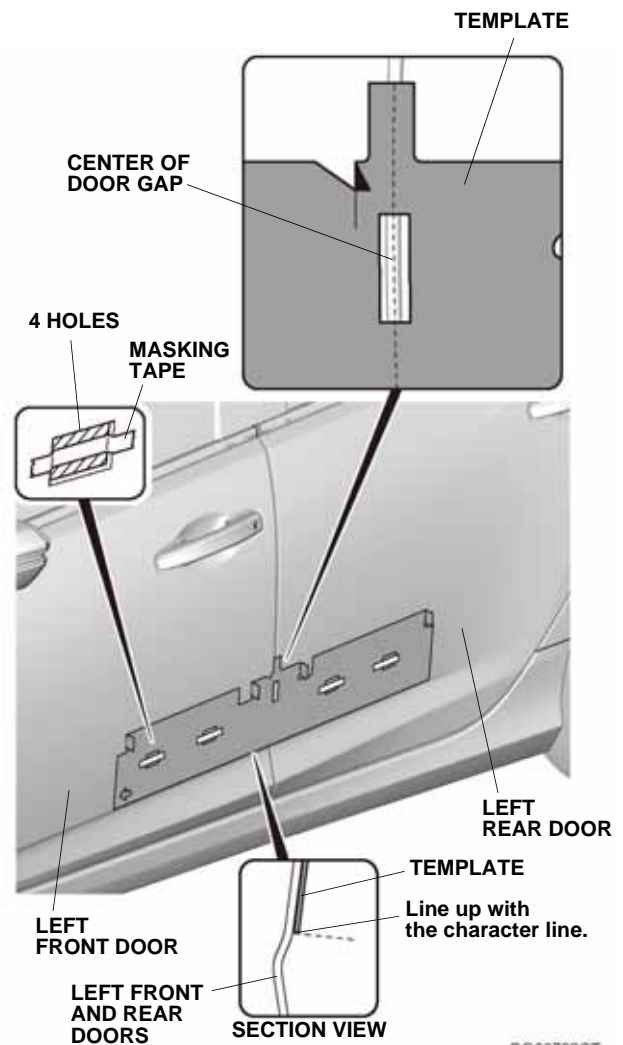
- If you are also installing door edge guards (sold separately), install them after you install the body side moldings.
- Be careful not to damage the body paint finish.
- This kit should be installed only if the ambient air temperature is 15°C (60°F) or above.
- To allow the adhesive to cure, do not wash the vehicle for 24 hours. Make sure the customer is aware of this.

1. Fold the four tabs on the template as shown.



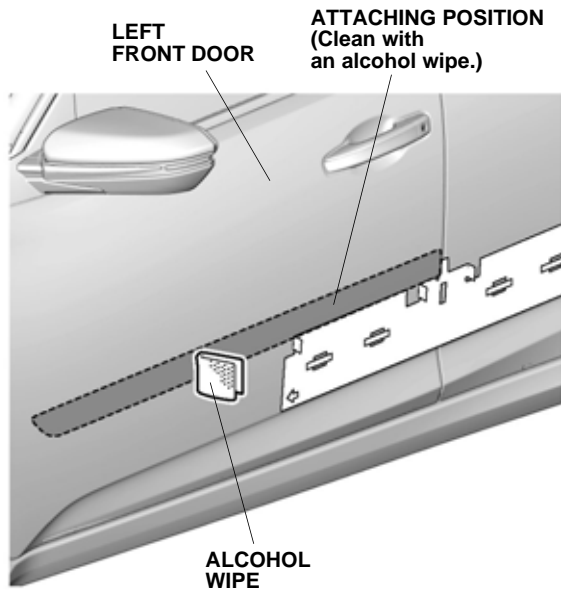
QG00702AT

2. Line up the bottom of the template with the character line on the left doors, and center the hole of the template with the gap between the front and rear doors. Then, attach the template with masking tape as shown.



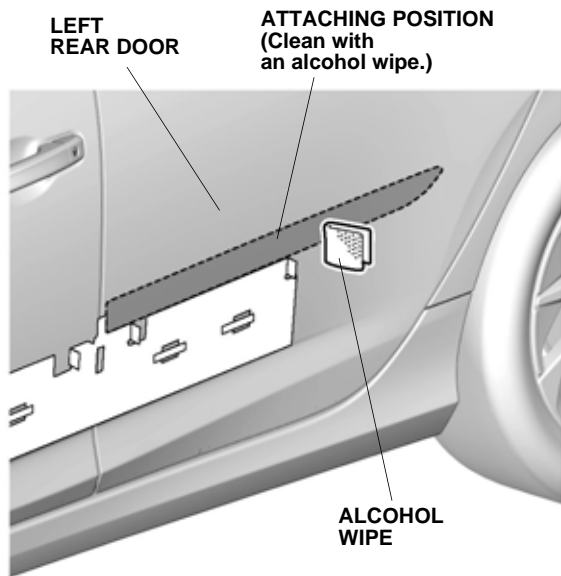
QG00703CT

- Using an alcohol wipe, thoroughly clean the left front door where the left front body side molding will attach.



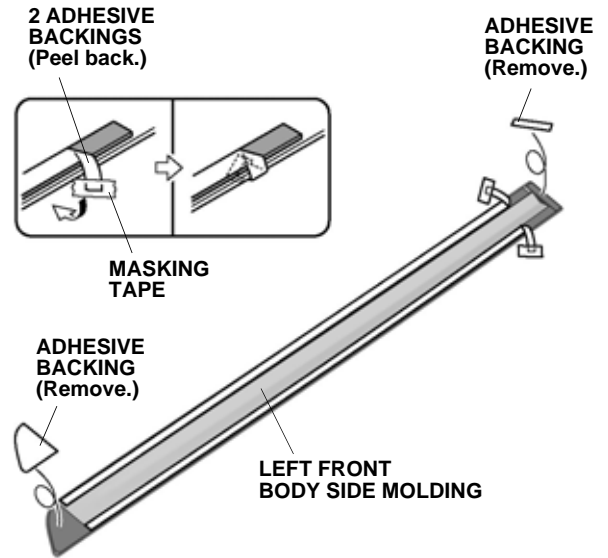
QG00704AT

- Using an alcohol wipe, thoroughly clean the left rear door where the left rear body side molding will attach.



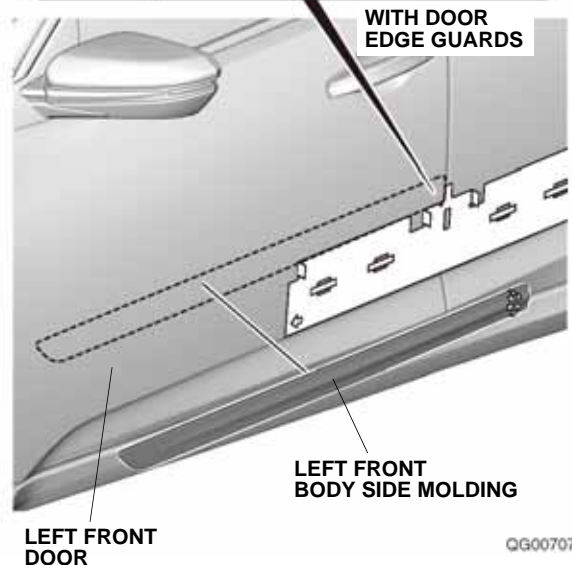
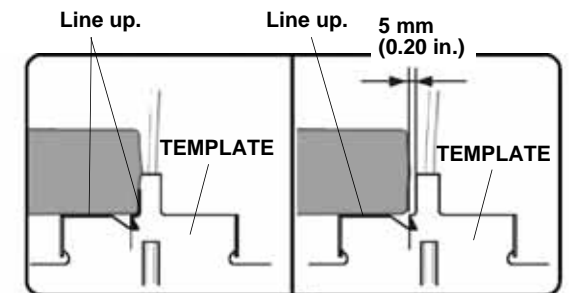
QG00705BT

- Peel back the adhesive backings, and tape them to the front surface of the left front body side molding with masking tape. Remove the other adhesive backings.



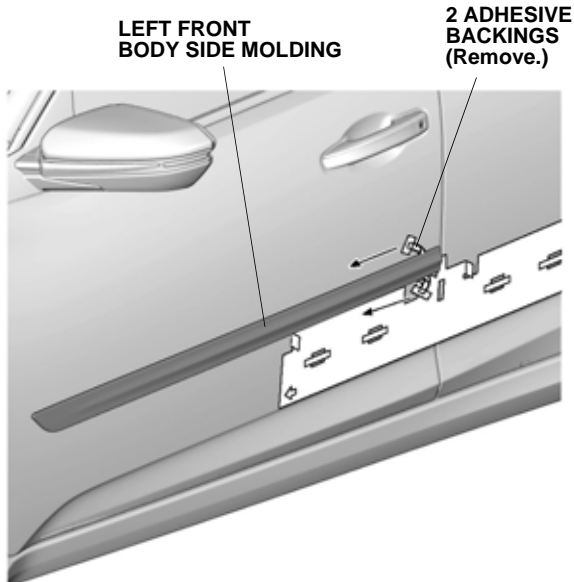
QG00706AT

- Line up the left front body side molding with the template, and install it on the left front door.



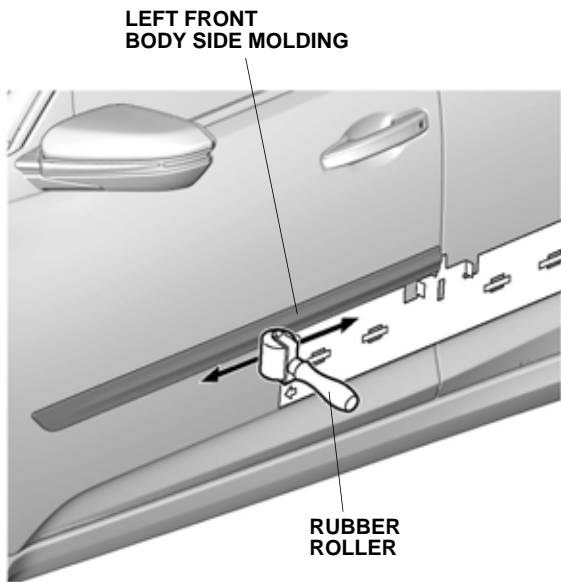
QG00707CT

7. While applying light pressure against the left front body side molding, carefully remove the taped adhesive backings.



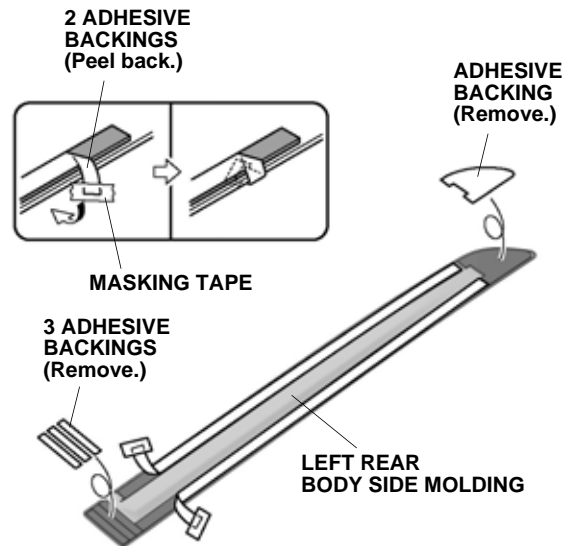
QG00708AT

8. Using the rubber roller, apply firm pressure while rolling, especially at the ends, to set the adhesive.



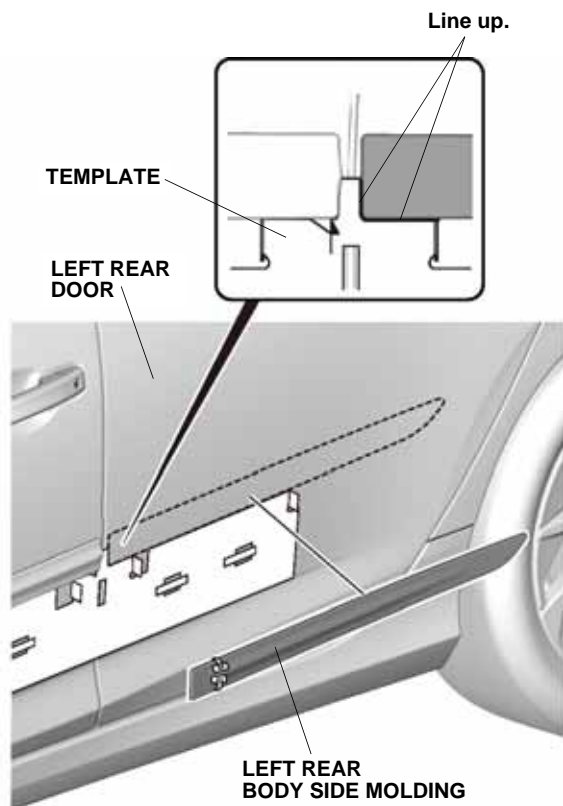
QG00709AT

9. Peel back the adhesive backings, and tape them to the front surface of the left rear body side molding with masking tape. Remove the other adhesive backings.



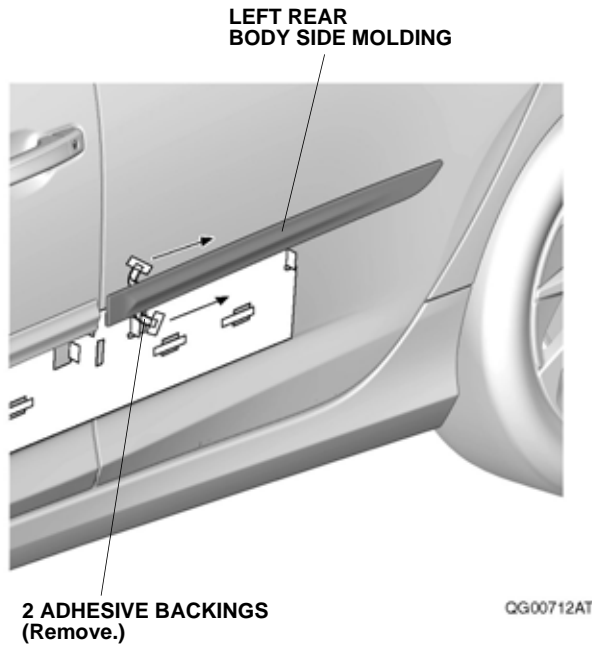
QG00710AT

10. Line up the left rear body side molding with the template, and install it on the left rear door.

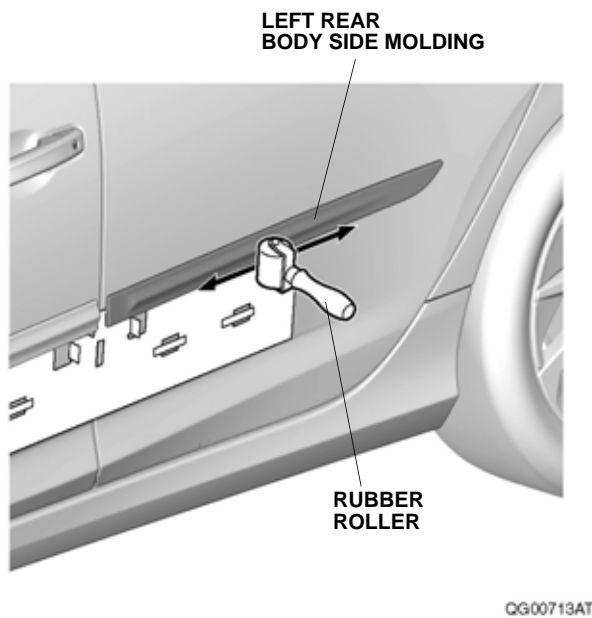


QG00711CT

11. While applying light pressure against the left rear body side molding, carefully remove the taped adhesive backings.



12. Using the rubber roller, apply firm pressure while rolling, especially at the ends, to set the adhesive.



13. Remove the template.
14. Turn the template over, and repeat steps 1 through 13 to install the right side.