



## INSTALLATION INSTRUCTIONS

Accessory	Application	Publications No.
REAR UNDER SPOILERS P/N 08F03-TXM-100	2020 INSIGHT	VERSION 1
		Issue Date SEP 2019

### PARTS LIST

Left rear under spoiler



Right rear under spoiler



6 Female clips



2 Clips



2 Self-tapping screws



2 Spring nuts



2 Alcohol wipes



### TOOLS AND SUPPLIES REQUIRED

Phillips screwdriver

5 mm Hex wrench

Pushpin

Drill

File

Masking tape

3 mm, 6 mm, 8 mm, and 10 mm Drill bits

Eye protection (face shield, safety goggles, etc.)

Blanket

Ratchet

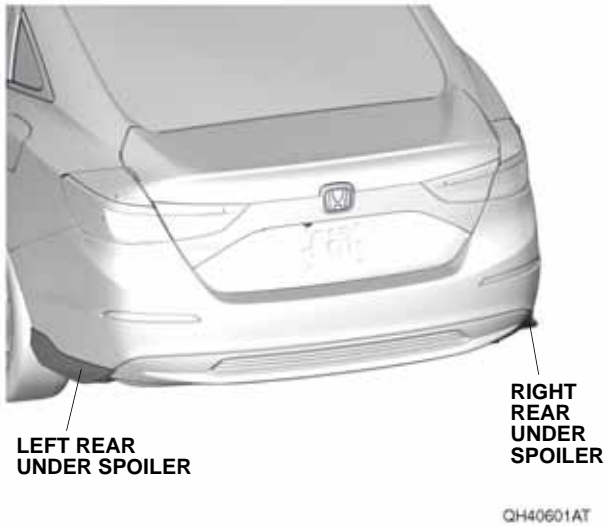
Diagonal cutters

Ruler

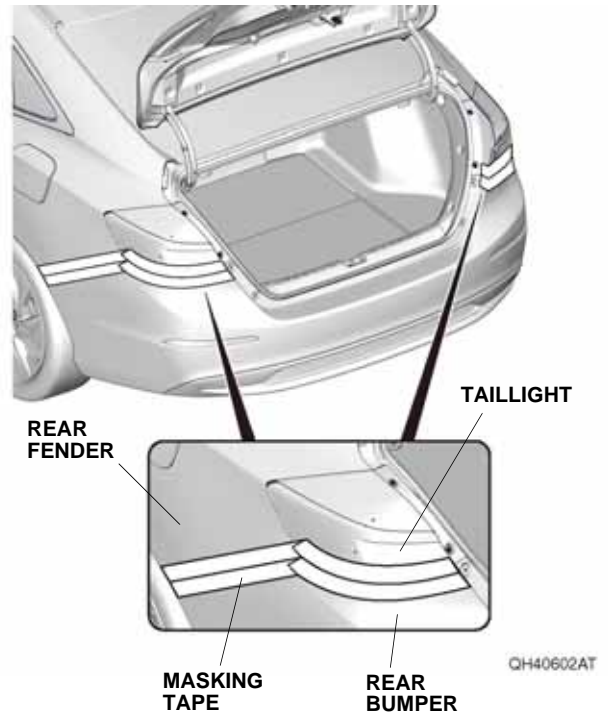
*The following tools are available through the Honda Tool and Equipment Program. On the iN, click on Service > Service Bay > Tool and Equipment Program, then enter the number under "Search." Or, call 888-424-6857.*

- Trim Tool Set (T/N SOJATP2014)
- Plastic Trim Tool (T/N SILTRIMTL10)
- Rubber Roller (T/N MHLE54D)

## Illustration of the Rear Under Spoilers Installed on the Vehicle



1. Remove the rear bumper.
  - Apply masking tape as shown.



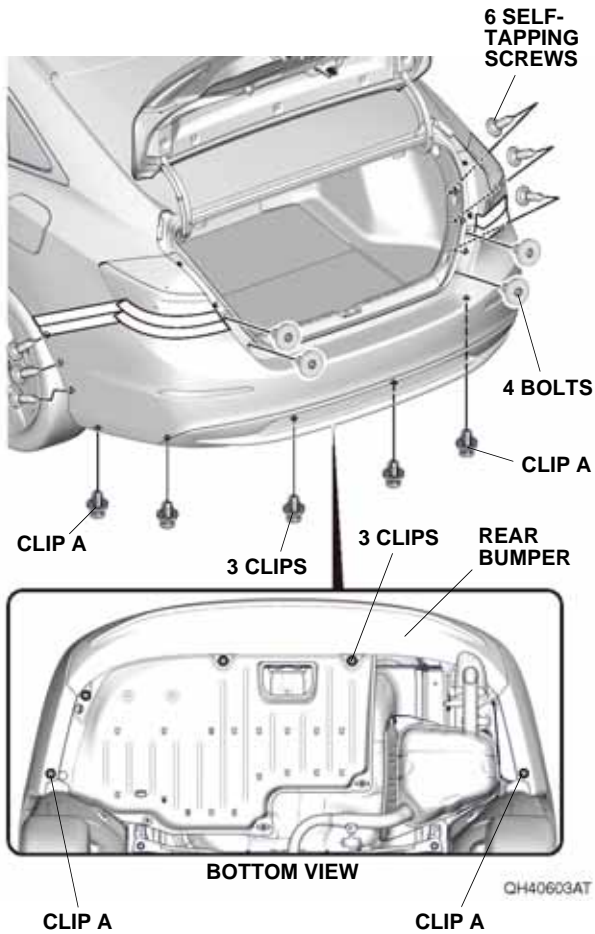
## INSTALLATION

**Customer Information:** The information in this installation instruction is intended for use only by skilled technicians who have the proper tools, equipment, and training to correctly and safely add equipment to your vehicle. These procedures should not be attempted by “do-it-yourselfers.”

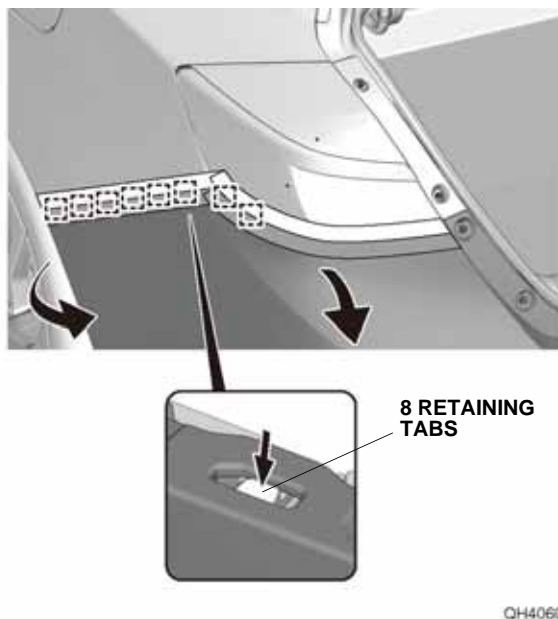
### NOTE:

- Be careful not to damage the body paint finish.
- This kit should be installed only if the ambient air temperature is 60°F (15°C) or above.
- To allow the adhesive to cure, do not wash the vehicle for 24 hours. Make sure the customer is aware of this.

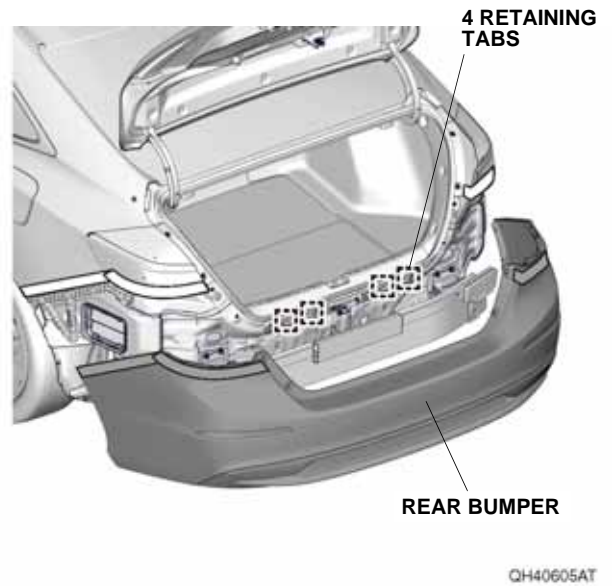
- Remove the five clips, four bolts, and six self-tapping screws.



- With the help of an assistant, release the eight retaining tabs on each side.

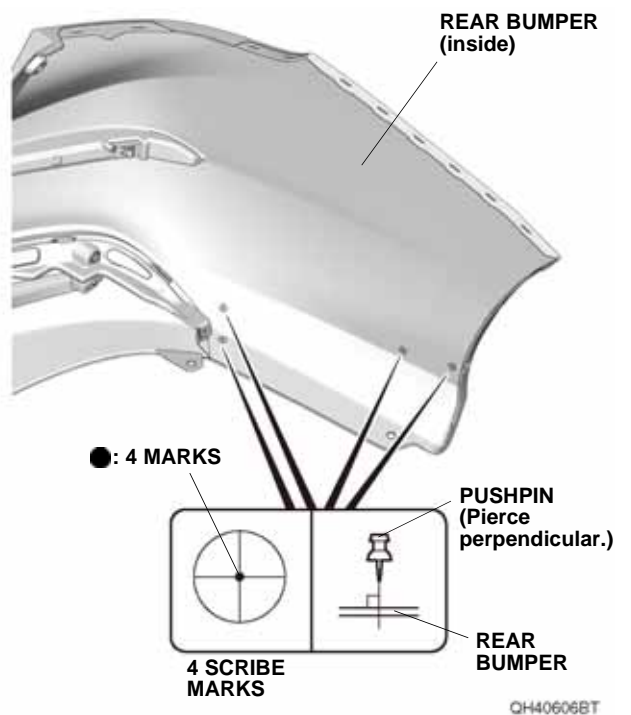


- With the help of an assistant, remove the rear bumper. Place the rear bumper on a blanket to prevent damage.



## Installing the Rear Under spoilers

- Using a pushpin, pierce the inside of the rear bumper through the center of the four scribe marks.



3. While wearing eye protection, drill the pierced mark to 6 mm as shown.

NOTE:

- Make sure to drill the correct position.
- Wrap masking tape around each drill bit 10 mm (0.39 in.) away from the tip or use a drill stop.
- First drill with a 3 mm drill bit, then finish with a 6 mm drill bit.

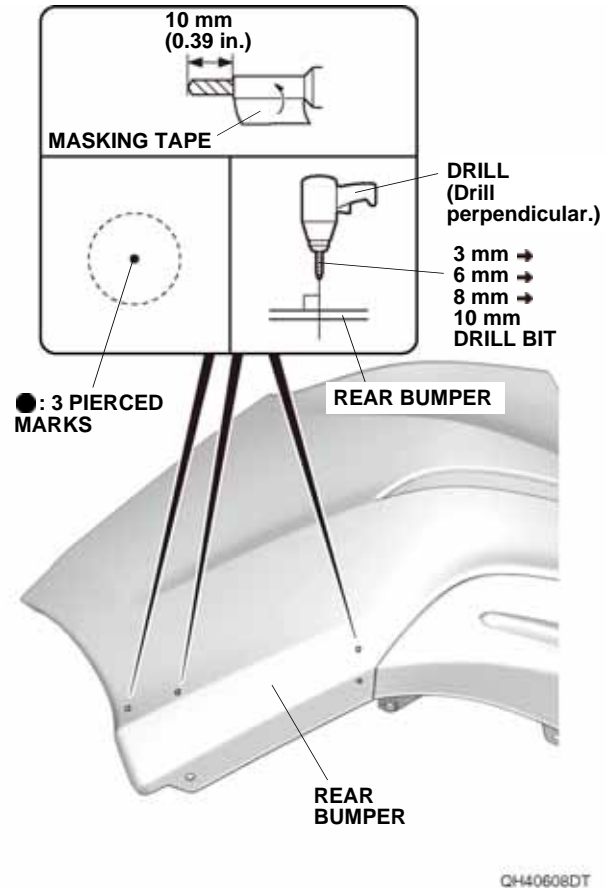


4. Using a file, remove any burrs from the hole.

5. While wearing eye protection, drill the pierced marks to 10 mm as shown.

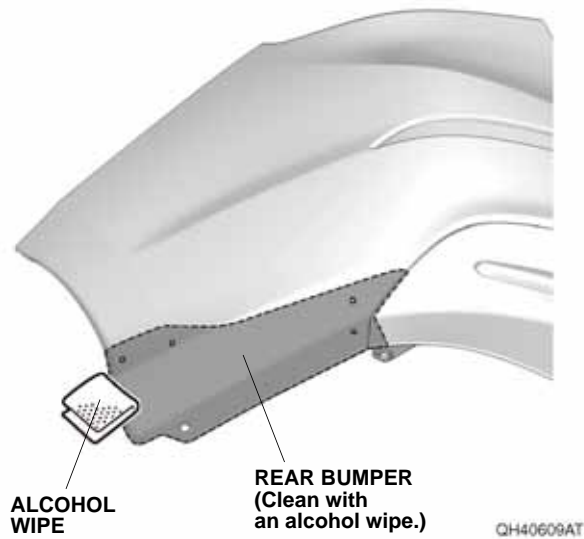
NOTE:

- Make sure to drill the correct positions.
- Wrap masking tape around each drill bit 10 mm (0.39 in.) away from the tip or use a drill stop.
- First, drill with a 3 mm drill bit, then follow with a 6 mm drill bit, an 8 mm drill bit, and finish with a 10 mm drill bit.

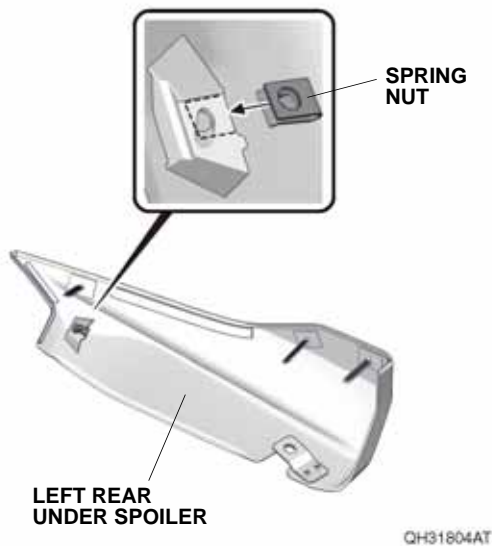


6. Using a file, remove any burrs from the holes.

7. Using an alcohol wipe, thoroughly clean the rear bumper where the left rear under spoiler will attach.



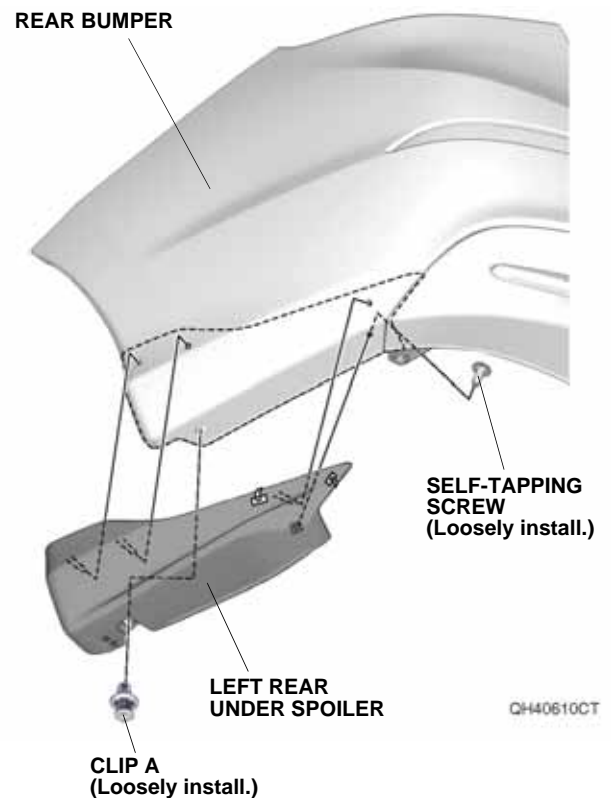
8. Install the spring nut on the left rear under spoiler. NOTE: Make sure to install the spring nut with the large hole facing out.



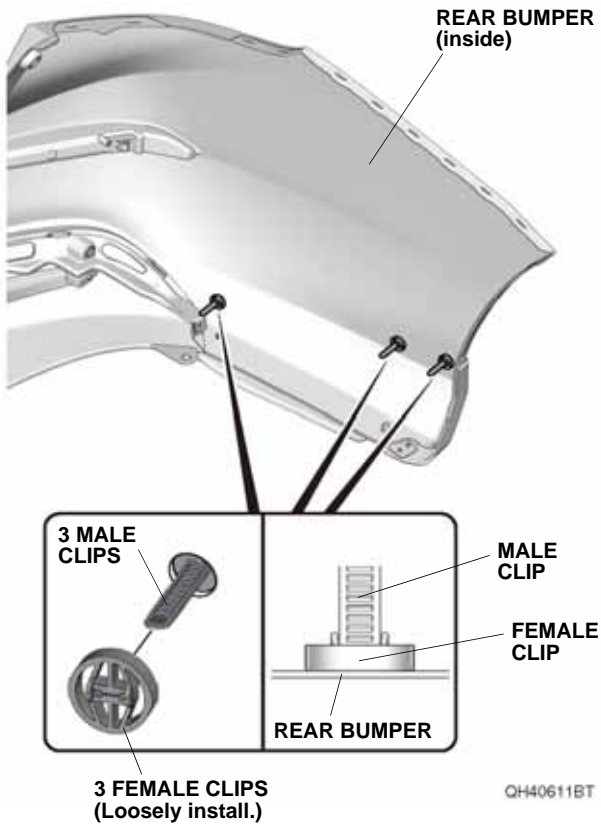
9. Peel back the adhesive backings, and tape them to the front surface of the left rear under spoiler with masking tape.



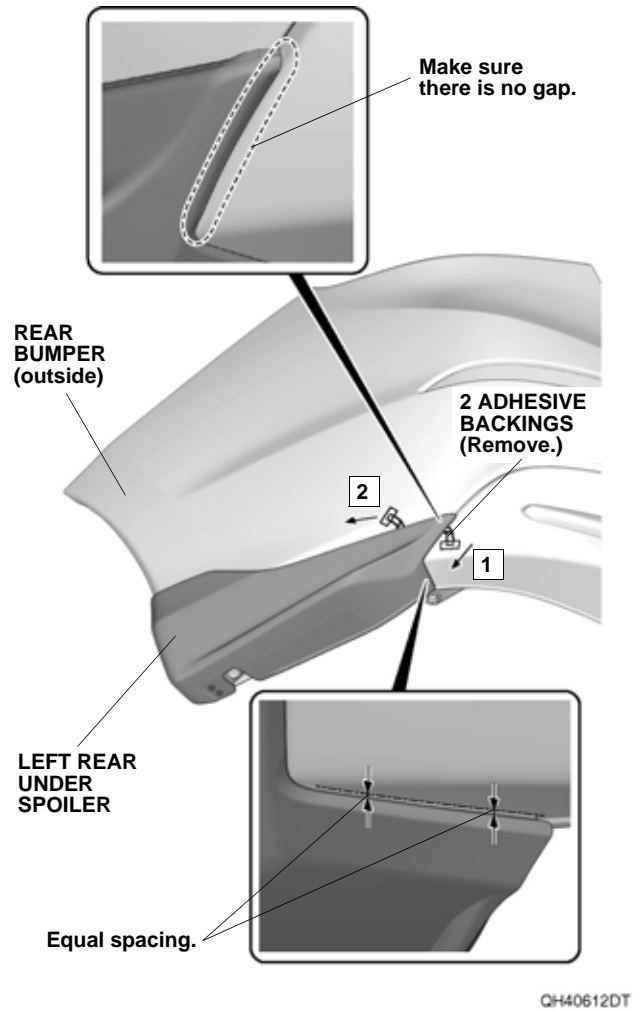
10. Loosely install the left rear under spoiler to the rear bumper with one self-tapping screw and clip A.



11. Loosely install the three female clips into each male clip as shown.  
NOTE: Make sure to install the female clips in the correct orientation.

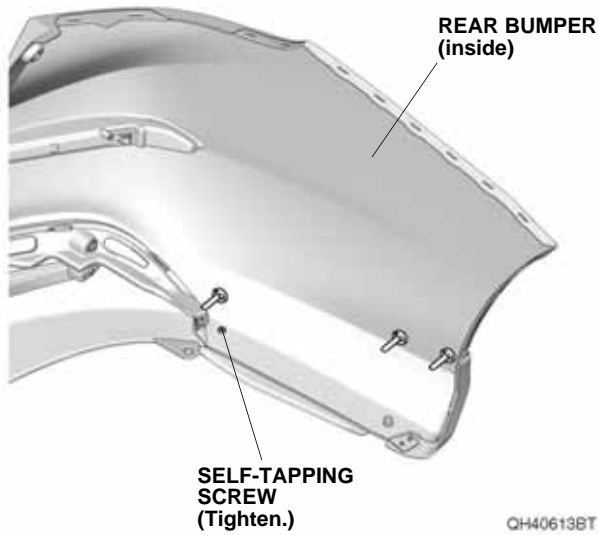


12. Remove the two adhesive backings in the order shown. Press the left rear under spoiler firmly against the rear bumper with the palm of your hands.

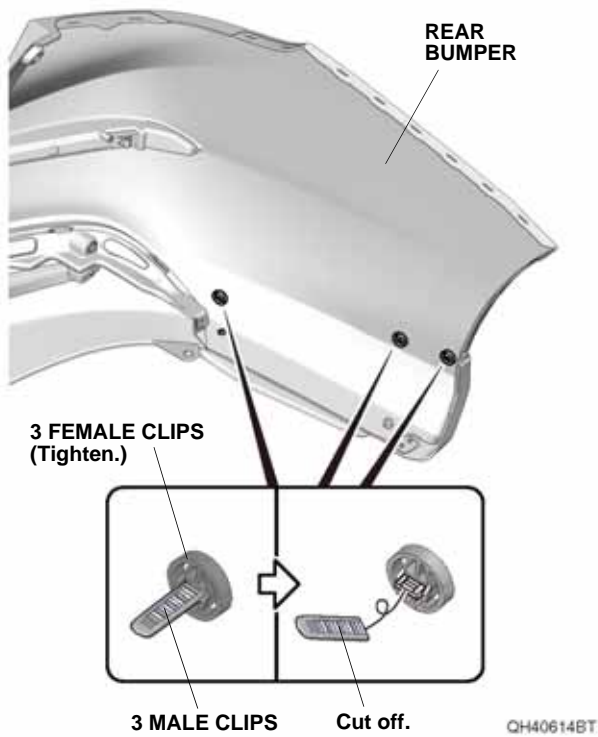




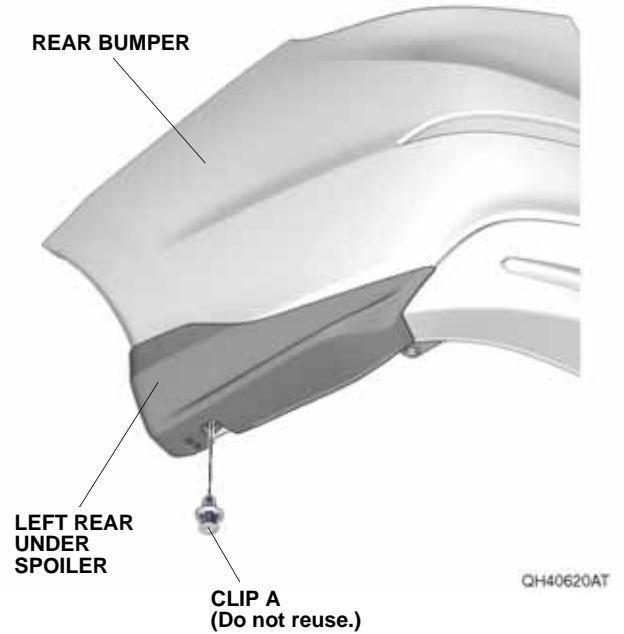
13. Tighten the one self-tapping screw loosely installed in step 10.



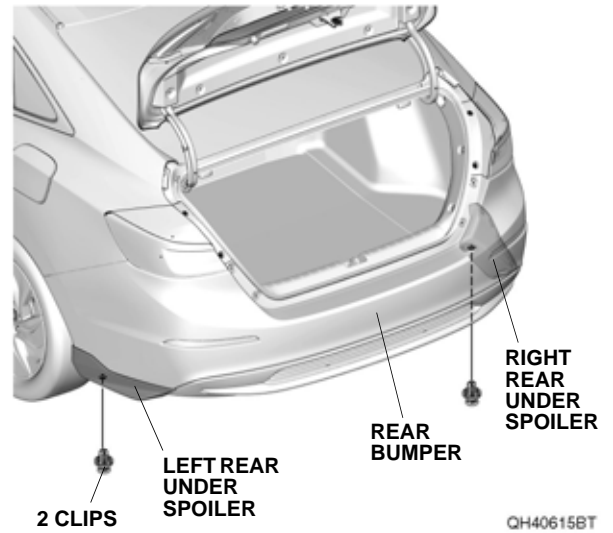
14. Tighten the three female clips loosely installed in step 11.  
NOTICE: Do not push the female clips too tight; you could deform the left rear under spoiler. If necessary, readjust the female clips.



15. Remove the clip A.



16. Repeat steps 2 through 15 on the right side of the rear bumper.  
17. With the help of an assistant, install the rear bumper.



18. Secure the left and right rear under spoilers to the rear bumper.

19. Using a rubber roller, apply firm pressure while rolling, especially at the ends, to set the adhesive.

