



## INSTALLATION INSTRUCTIONS

Accessory  
ILLUMINATED  
DOOR SILL TRIM  
P/N 08E12-TXM-100

Application  
2019 INSIGHT

Publications No.  
**VERSION 1**  
Issue Date  
**JUNE 2018**

### PARTS LIST

Left door sill trim  
(Identification mark: L)



Right door sill trim  
(Identification mark: R)



Aluminum tape



Door sill trim harness



Fuse label



19 Wire ties



Urethane tape



Protective tape



2 Alcohol wipes



2 Protective clips



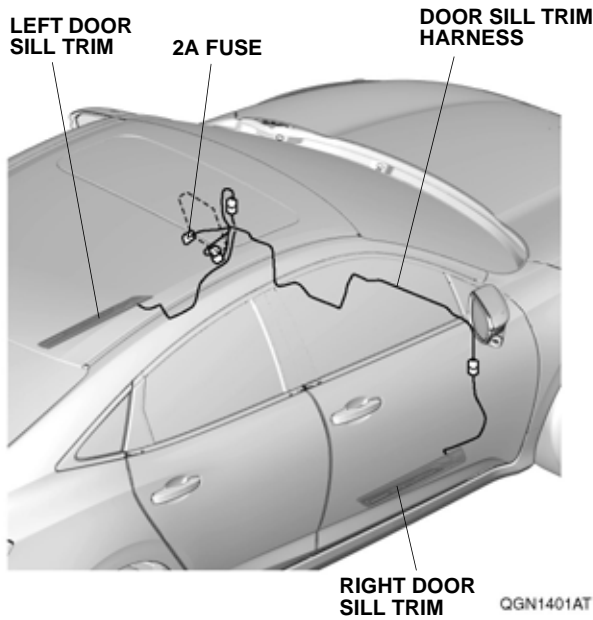
### TOOLS AND SUPPLIES REQUIRED

- Phillips screwdriver
- 10 mm Open end wrench
- Ratchet
- 10 mm Socket
- Ruler
- Masking tape
- Scissors
- Diagonal cutters
- Isopropyl alcohol
- Shop towel

*The following tools are available through the Honda Tool and Equipment Program. On the iN, click on Service > Service Bay > Tool and Equipment Program, then enter the number under "Search." Or, call 888-424-6857.*

- Trim Tool Set (T/N SOJATP2014)
- Plastic Trim Tool (T/N SILTRIMTL10)

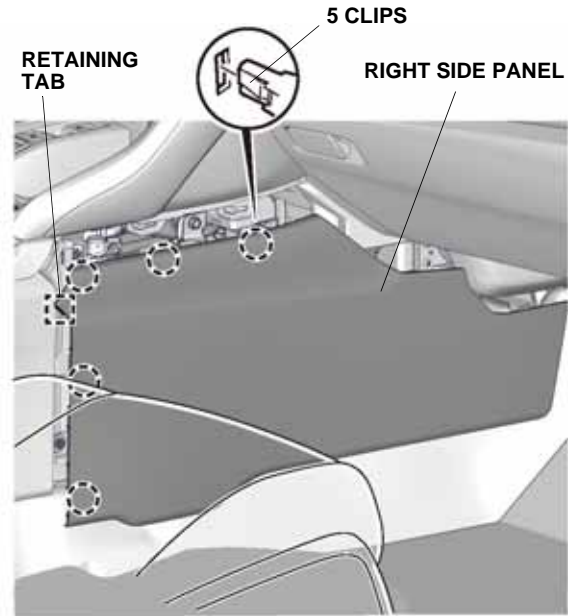
## Illustration of the Illuminated Door Sill Trim Installed in the Vehicle



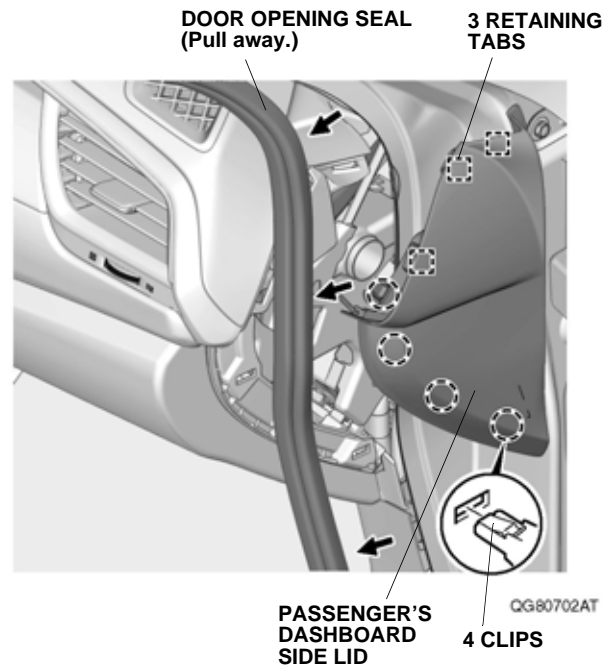
## INSTALLATION

**Customer Information:** The information in this installation instruction is intended for use only by skilled technicians who have the proper tools, equipment, and training to correctly and safely add equipment to your vehicle. These procedures should not be attempted by "do-it-yourselfers."

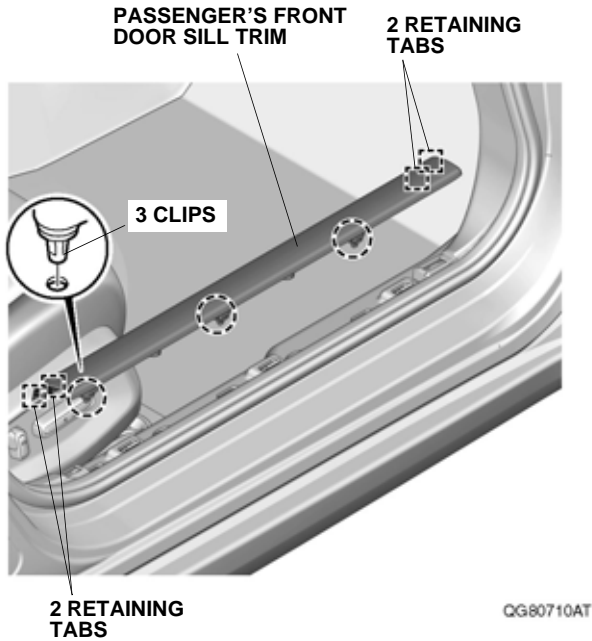
1. Remove the right side panel, and disconnect the negative cable from the battery.  
NOTE: Wait 3 minutes after turning the power switch to OFF before disconnecting the battery.



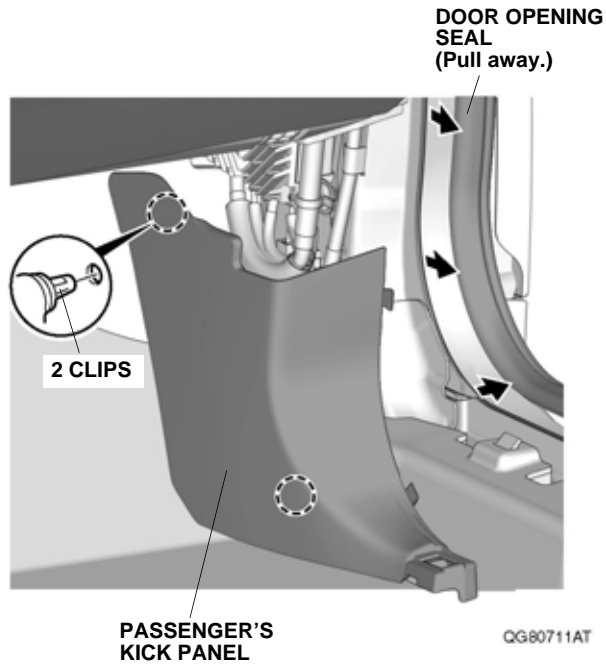
2. Pull away the door opening seal, and remove the passenger's dashboard side lid.



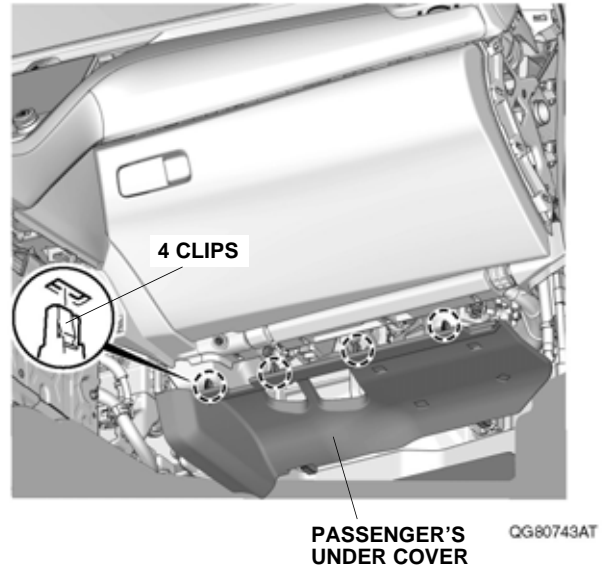
3. Remove the passenger's front door sill trim.



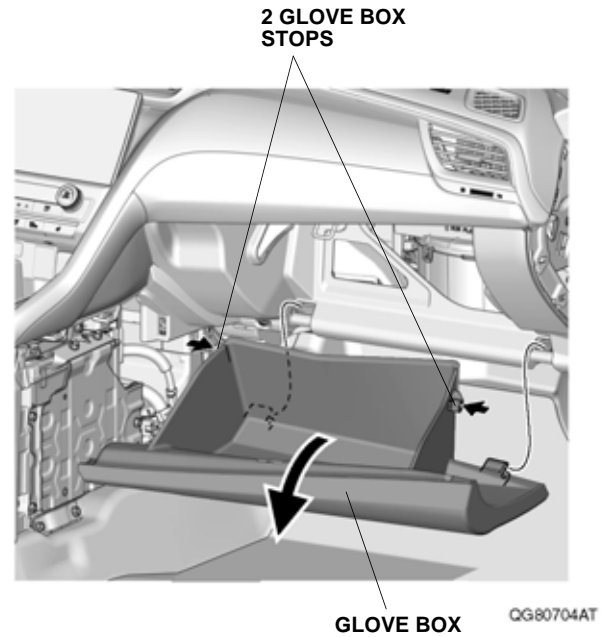
4. Pull away the door opening seal, and remove the passenger's kick panel.



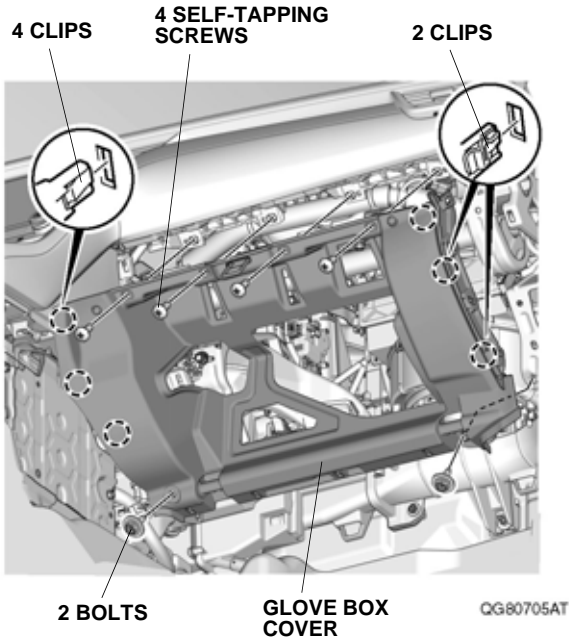
5. Remove the passenger's under cover.



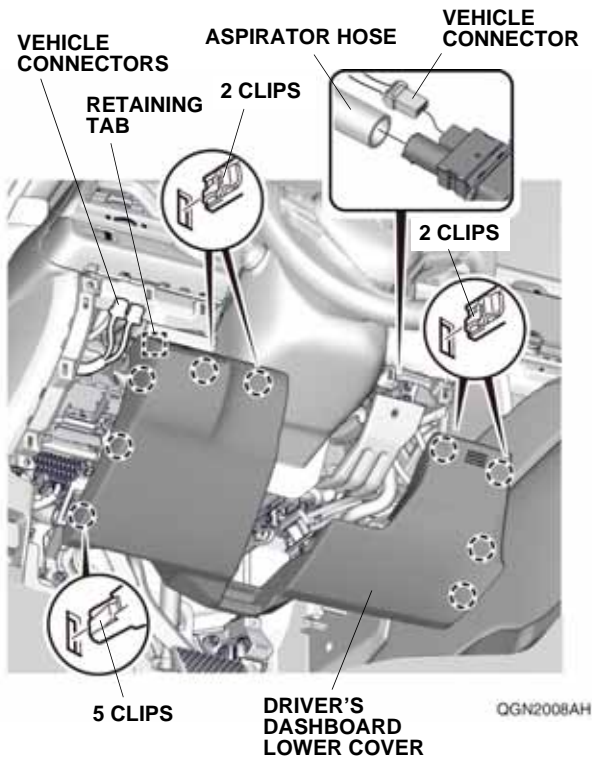
6. Open the glove box, push inward on the glove box stops, and remove the glove box.



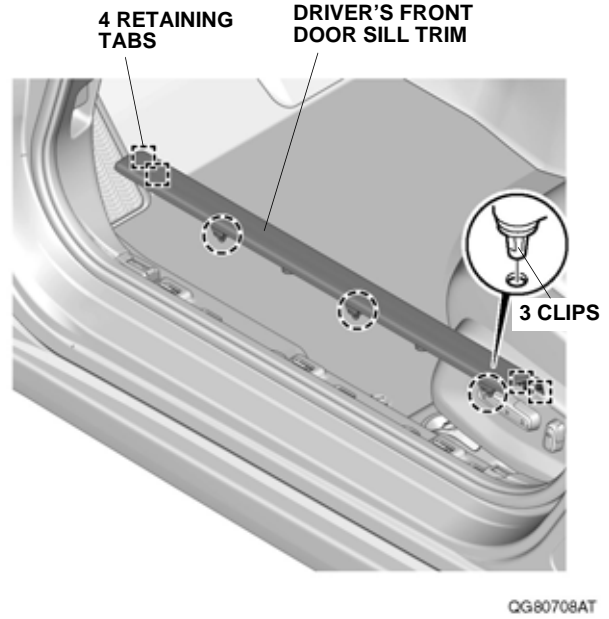
7. Remove the glove box cover.



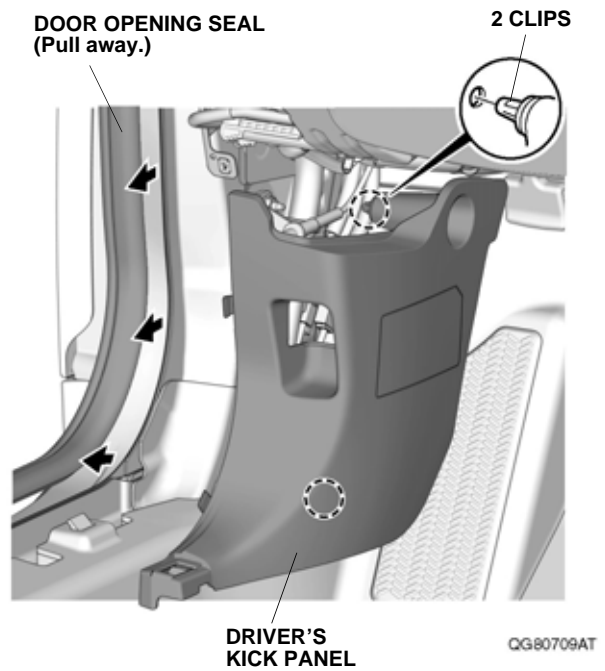
8. Remove the driver's dashboard lower cover, and unplug the vehicle connectors.



9. Remove the driver's front door sill trim.

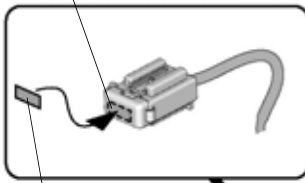


10. Pull away the door opening seal, and remove the driver's kick panel.



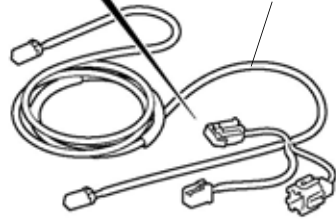
- Using isopropyl alcohol on a shop towel, thoroughly clean the fuse case where the fuse label will attach.

**FUSE CASE**  
(Clean with isopropyl alcohol.)



**FUSE LABEL**  
(2A STEP ILLUMI)

**DOOR SILL TRIM HARNESS**



QGN1430AT

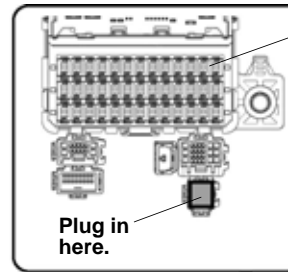
- Apply the fuse label to the door sill trim harness fuse case.

If the vehicle is equipped with another accessory (including parking sensors), go to step 15. If the vehicle is equipped with another accessory (except parking sensors), go to step 17; otherwise continue with step 13.

### Without Another Accessory

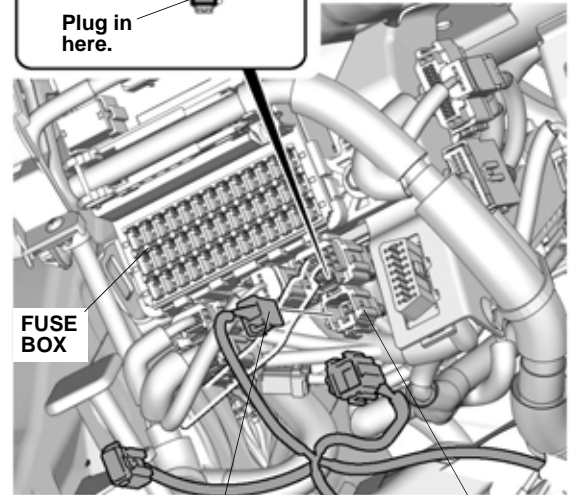
- Plug the door sill trim harness 6-pin connector into the vehicle 6-pin connector.

**FRONT VIEW**



**FUSE BOX**

**Plug in here.**



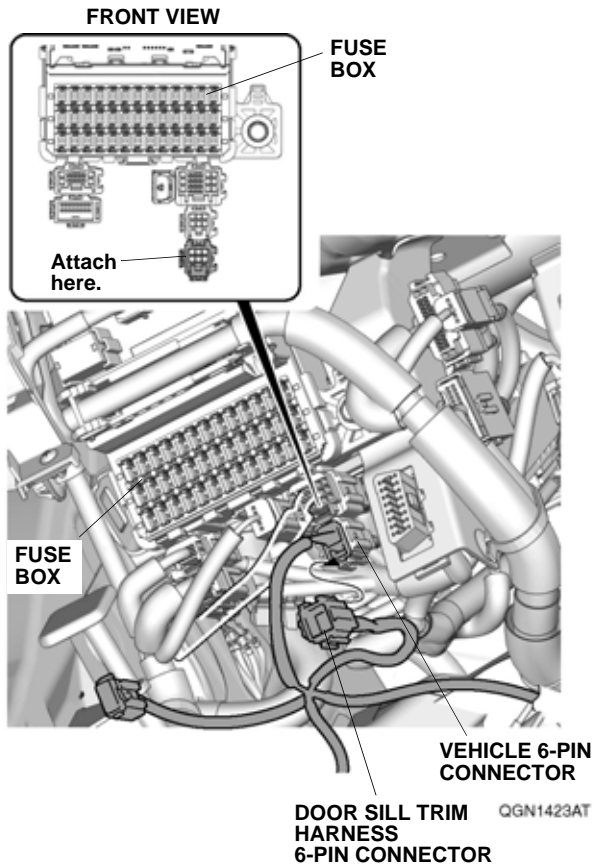
**FUSE BOX**

**DOOR SILL TRIM HARNESS 6-PIN CONNECTOR**

**VEHICLE 6-PIN CONNECTOR**

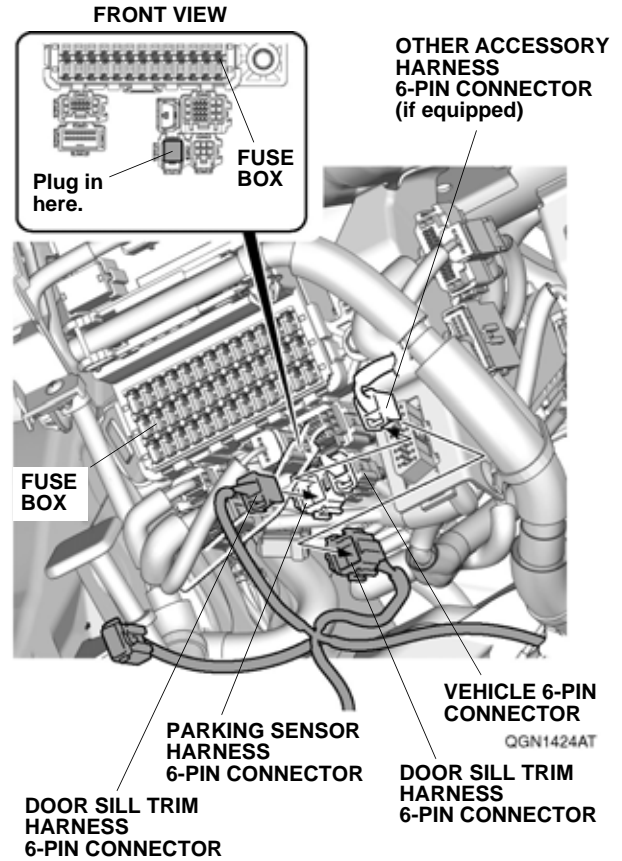
QGN1422AT

14. Attach the door sill trim harness 6-pin connector to the vehicle 6-pin connector. Go to step 19.

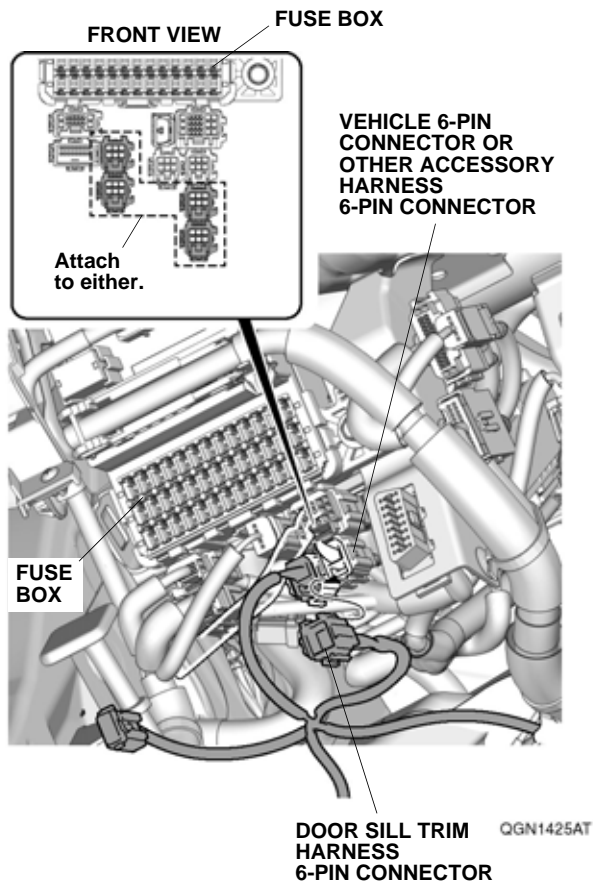


## With Another Accessory (Including Parking Sensors)

15. If the parking sensor harness 6-pin connector is plugged into the vehicle 6-pin connector, plug the door sill trim harness 6-pin connector into the parking sensor harness 6-pin connector.

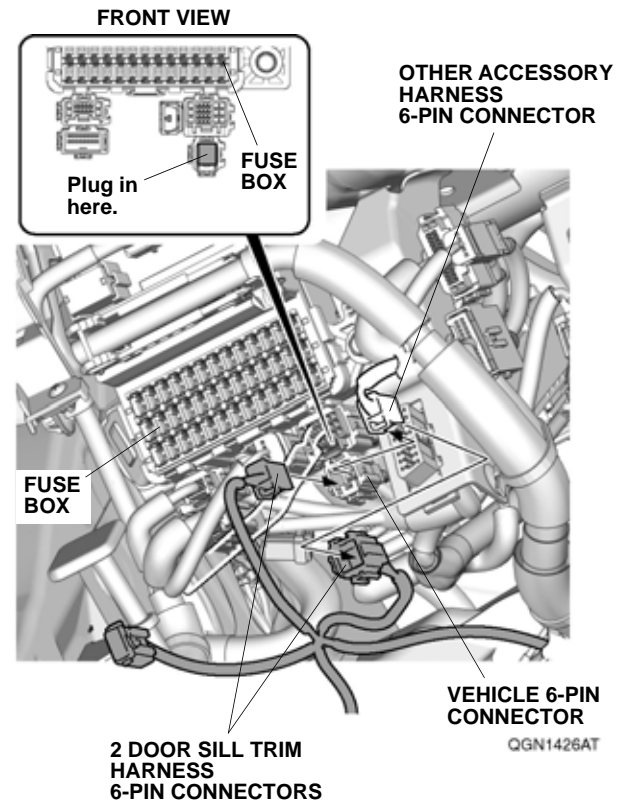


16. Attach the door sill trim harness 6-pin connector to any of the positions shown. Go to step 19.

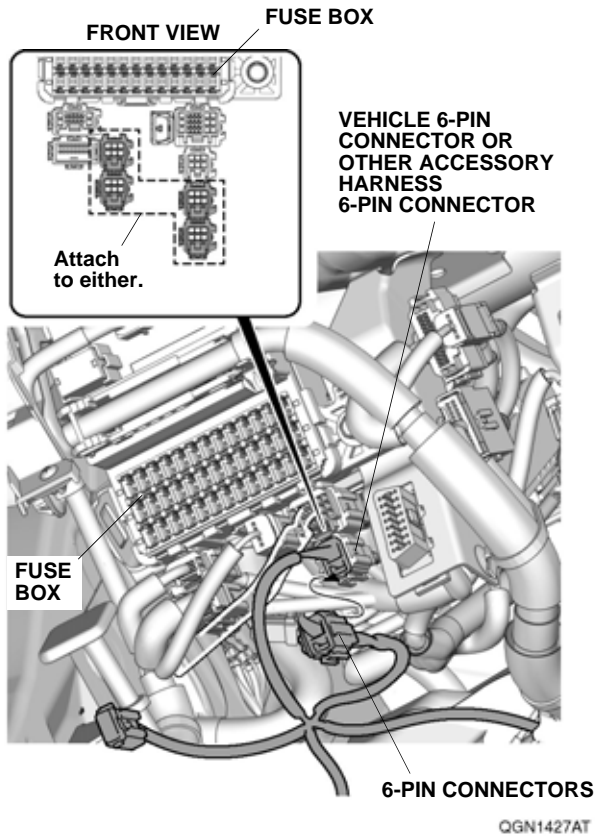


## With Another Accessory (Except Parking Sensors)

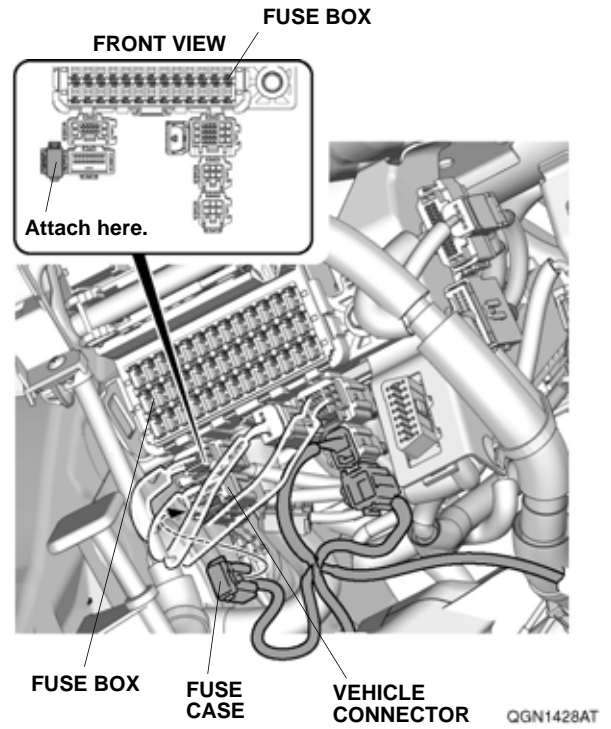
17. If the other accessory harness 6-pin connector is plugged into the vehicle 6-pin connector, unplug it. Then, plug it into the door sill trim harness 6-pin connector. Plug the door sill trim harness 6-pin connector into the vehicle 6-pin connector.



18. Attach the 6-pin connectors to any of the positions shown.

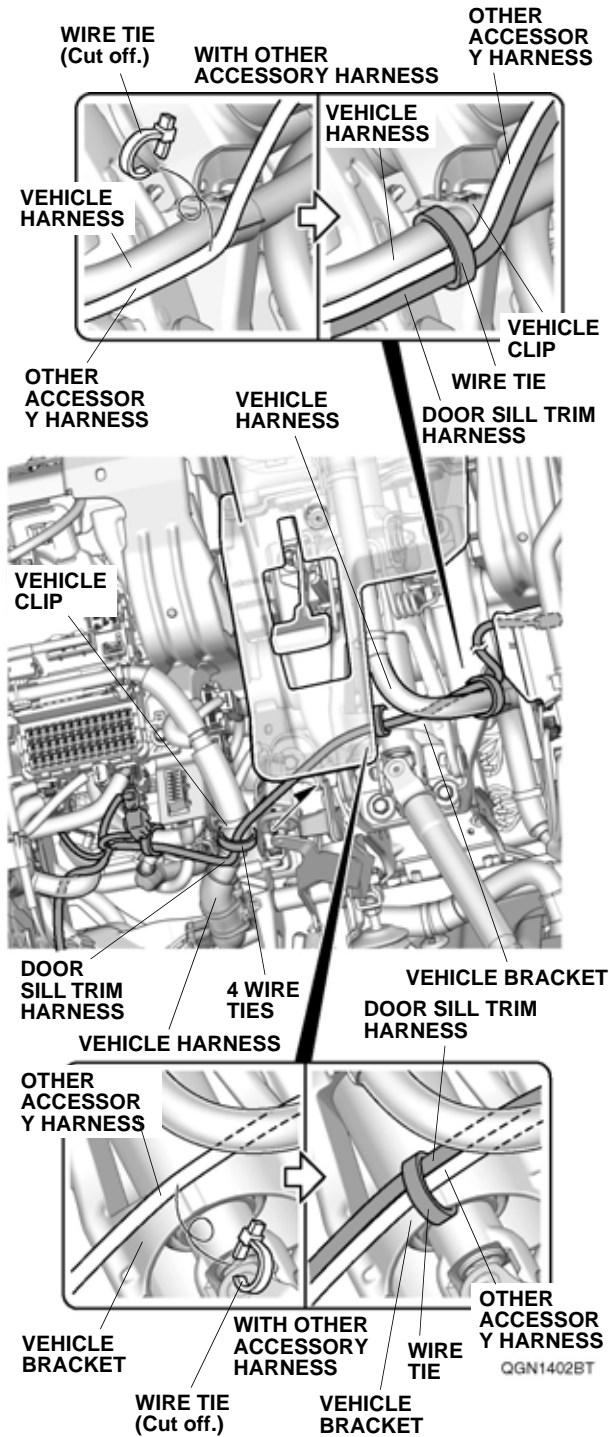


19. Attach the door sill trim harness fuse case to the vehicle connector.

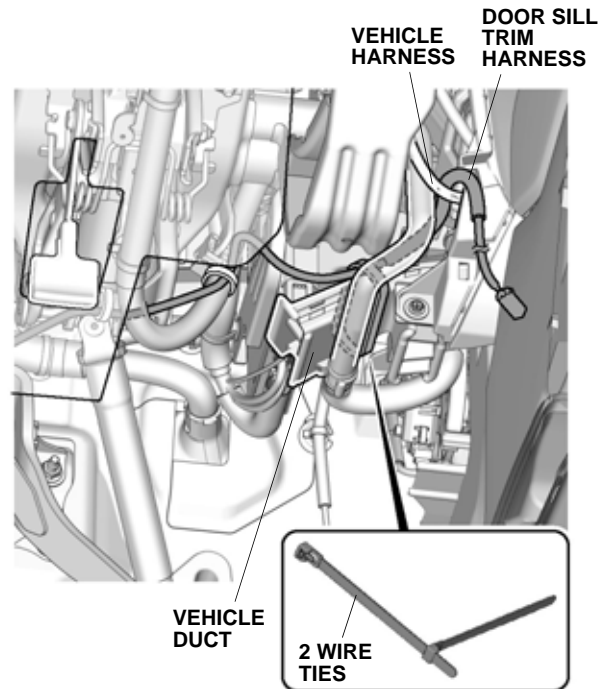




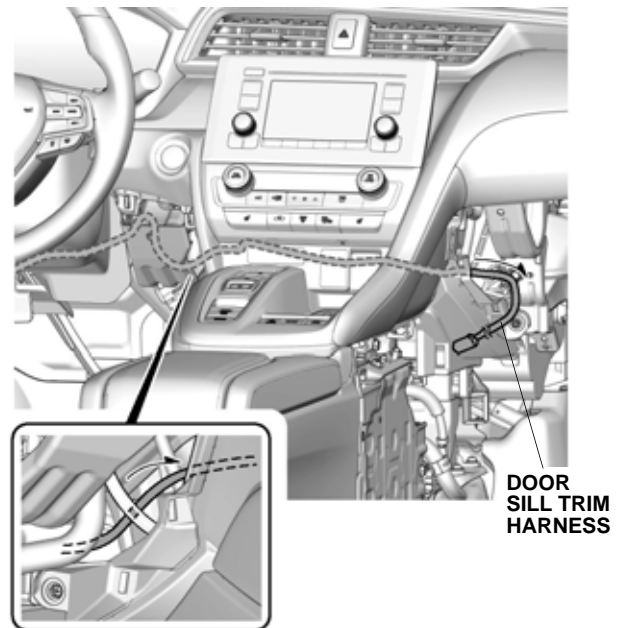
20. Route the door sill trim harness as shown. Secure it to the vehicle harness and bracket with the four wire ties.



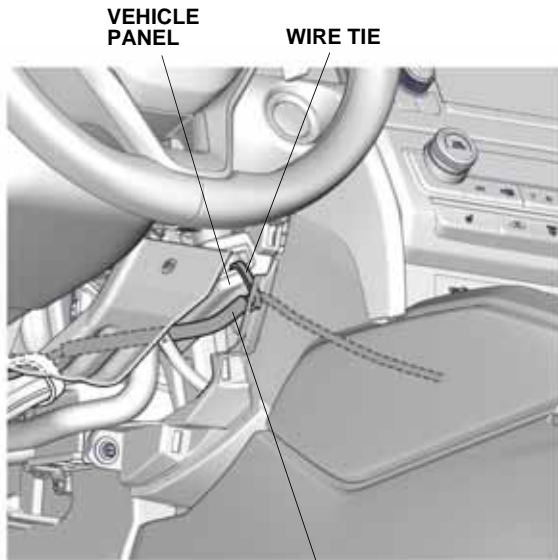
21. Secure the door sill trim harness to the vehicle duct with the two wire ties.



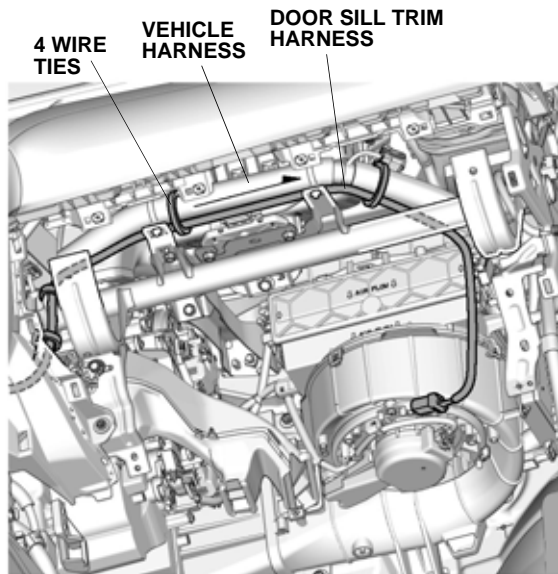
22. Route the door sill trim harness as shown.



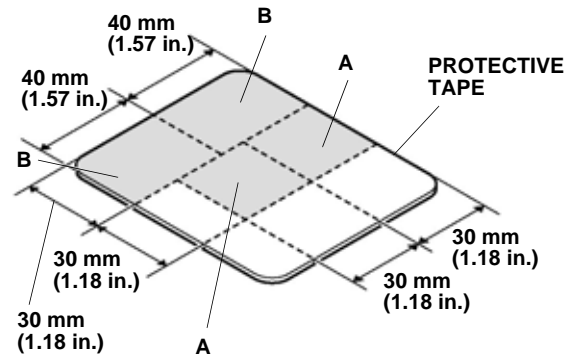
23. Secure the door sill trim harness to the vehicle panel with one wire tie.



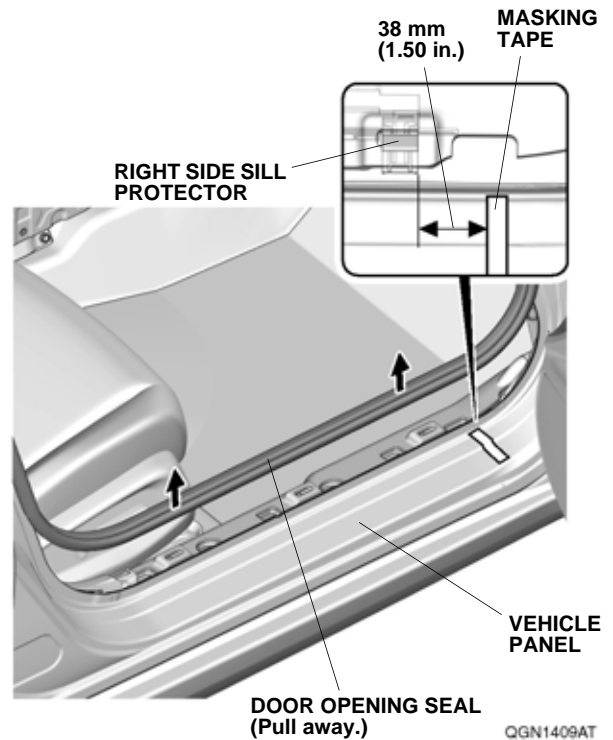
24. Route the door sill trim harness as shown. Secure the door sill trim harness to the vehicle harness with the four wire ties.



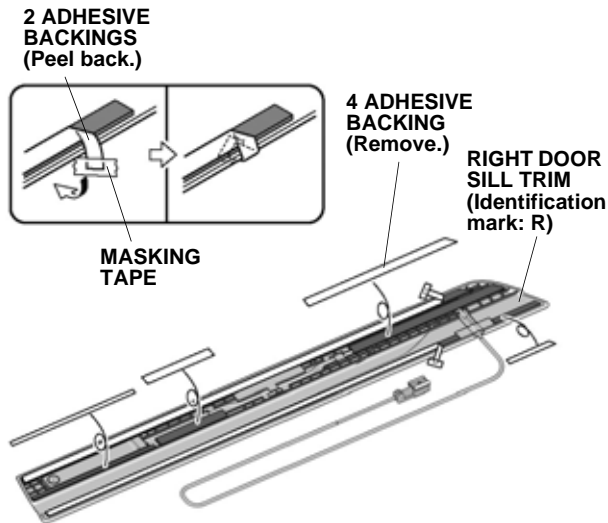
25. Using scissors, cut the protective tape as shown.



26. Pull away the door opening seal, and apply masking tape to the vehicle panel as shown.

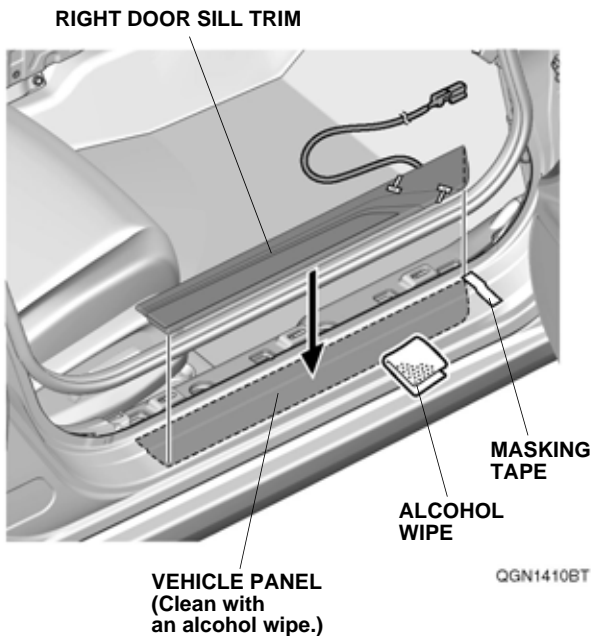


27. Peel back the ends of two adhesive backings on the right door sill trim, and attach them to the front of the trim with masking tape.
- NOTE: Make sure to check the identification mark of the right door sill trim.



QE32516AJ

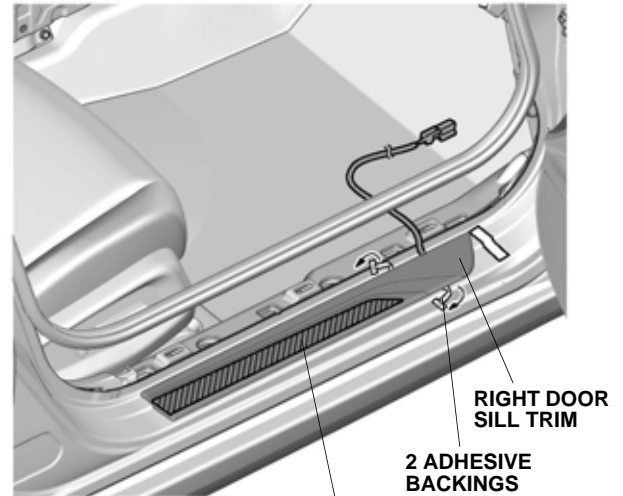
28. Remove four adhesive backings.
29. Using an alcohol wipe, thoroughly clean the vehicle panel where the right door sill trim will attach.



QGN1410BT

30. Line up the right door sill trim at the masking tape.

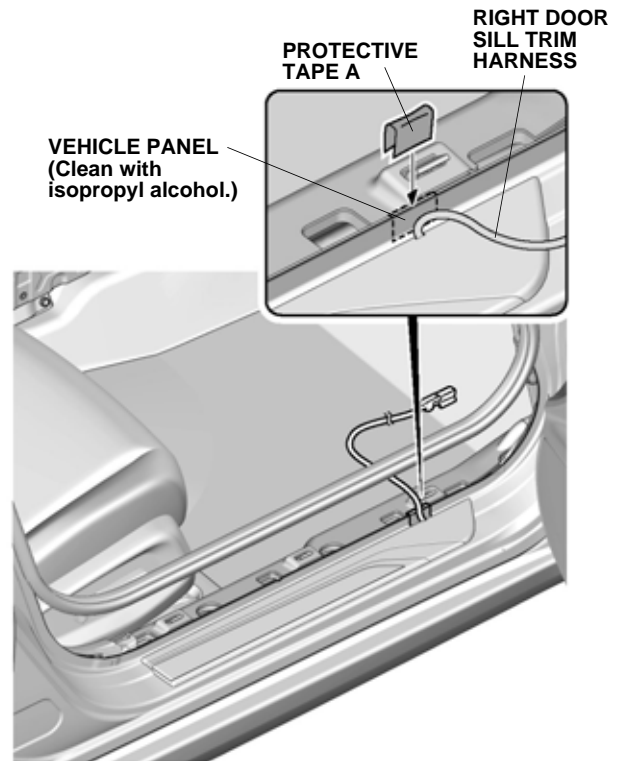
31. Attach the right door sill trim to the vehicle panel by removing two adhesive backings. Then, press firmly on the trim with both hands.



Do not apply firm pressure on the plate.

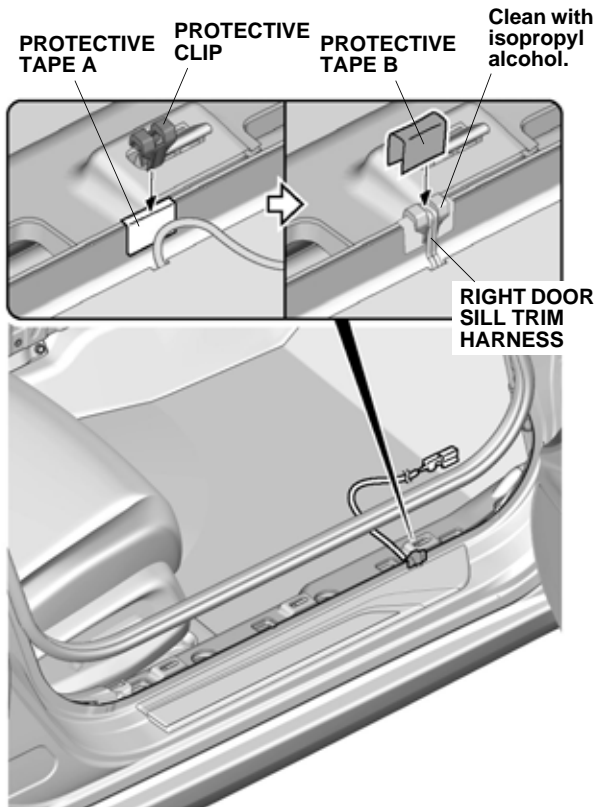
QGN1411AT

32. Remove the masking tape.
33. Using isopropyl alcohol on a shop towel, thoroughly clean the vehicle panel where the protective tape will attach. Attach one piece of protective tape A to the vehicle panel as shown.



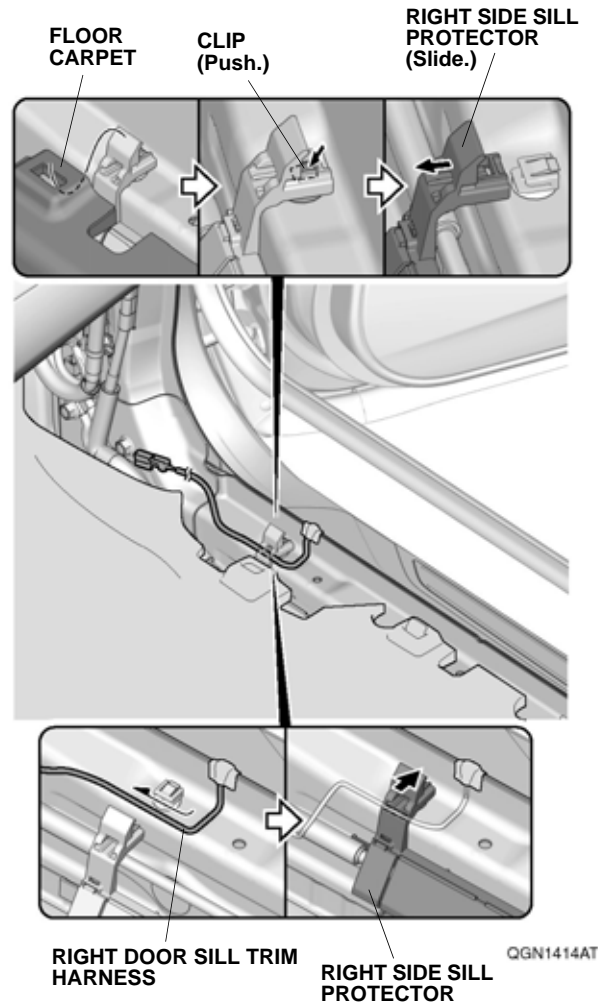
QGN1412AT

34. Install the protective clip to protective tape A.



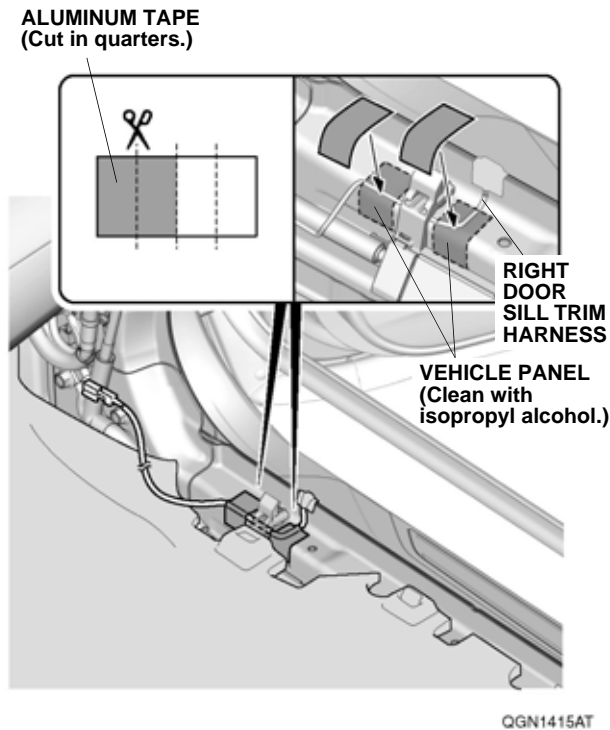
35. Line up and route the right door sill trim harness over the protective clip as shown.
36. Using isopropyl alcohol on a shop towel, thoroughly clean the protective clip where the protective tape will attach. Attach one piece of protective tape B to the protective clip.

37. Release the right side sill protector from the clip.



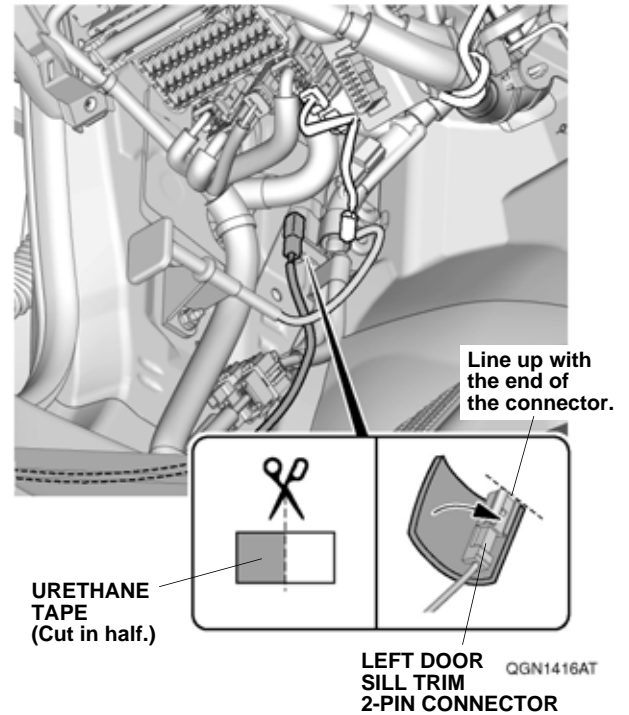
38. Route the right door sill trim harness as shown.
39. Install the right side sill protector.

40. Using isopropyl alcohol on a shop towel, thoroughly clean the vehicle panel where the aluminum tape will attach.

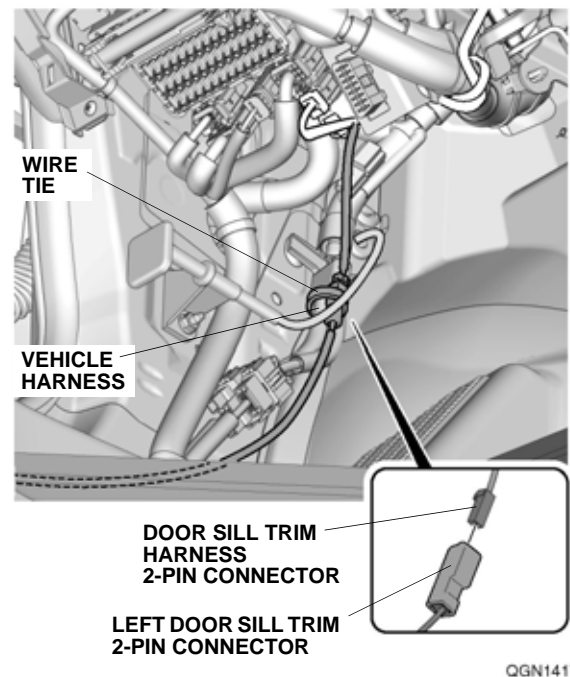


41. Using scissors, cut one piece of aluminum tape in quarters. Using two of the pieces secure the right door sill trim harness to the vehicle panel.
42. Repeat steps 26 through 41 to install the left door sill trim on the left side of the vehicle.

43. Using scissors, cut one piece of urethane tape in half, and attach one piece around the left door sill trim 2-pin connector.

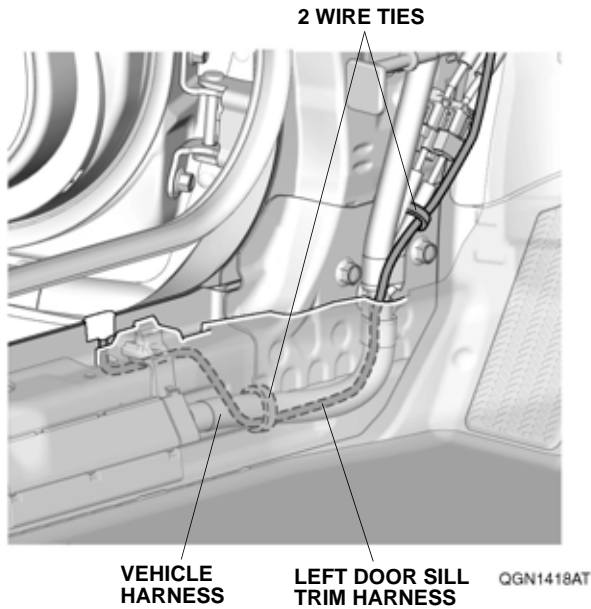


44. Plug the door sill trim harness 2-pin connector into the left door sill trim 2-pin connector.

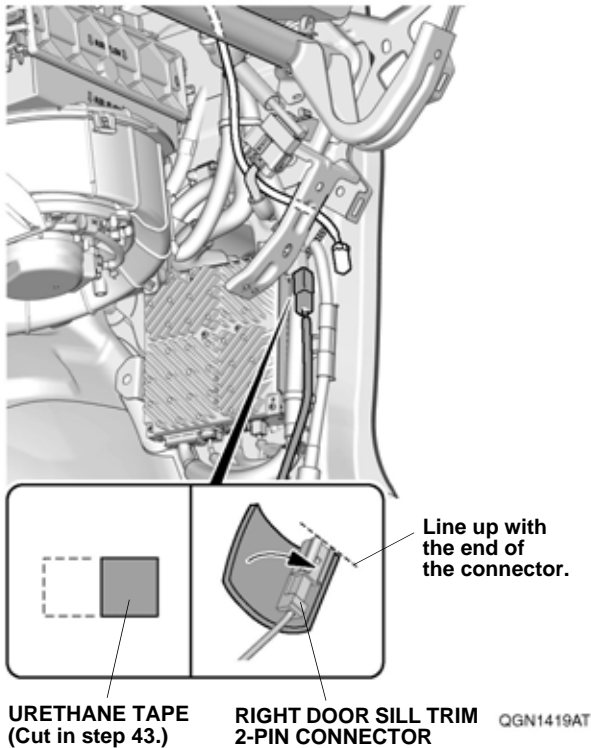


45. Secure the 2-pin connectors to the vehicle harness with one wire tie.

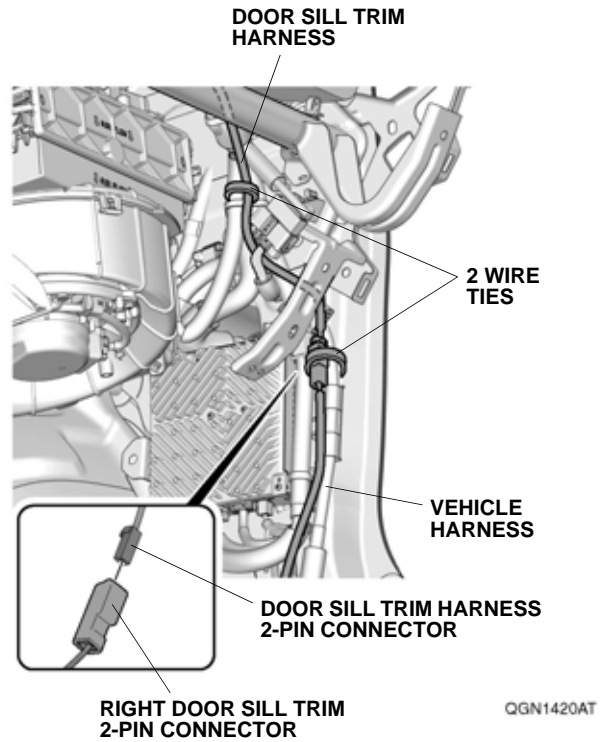
46. Secure the left door sill trim harness to the vehicle harness with the two wire ties.



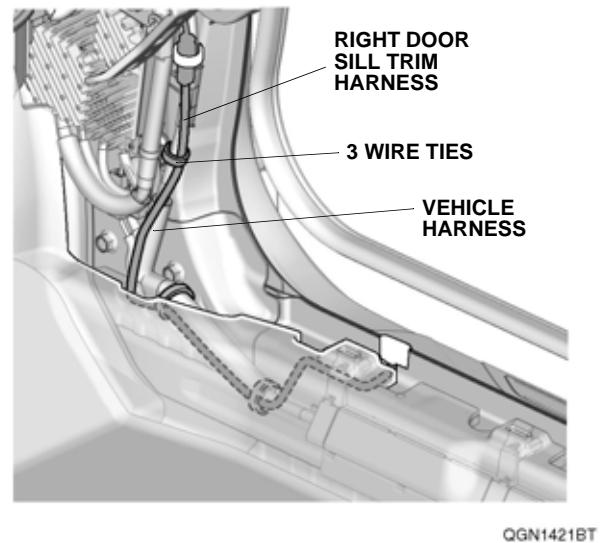
47. Wrap the remaining piece of urethane tape from step 43 around the right door sill trim 2-pin connector.



48. Plug the door sill trim harness 2-pin connector into the right door sill trim 2-pin connector.



49. Secure the 2-pin connectors to the vehicle harness with one wire tie.
50. Secure the door sill trim harness to the vehicle harness with one wire tie.
51. Secure the right door sill trim harness to the vehicle harness with the three wire ties.



52. Check that all wire harnesses are routed properly and all connectors are plugged in.
53. Install all removed parts except for the right side panel.
54. Connect the negative cable to the battery.
55. Install the right side panel.
56. Press and hold the audio unit power button for 2 seconds to restore the audio and navi (if equipped) system functions.
57. Set the clock on vehicles without navigation.
58. If necessary, restore the systems back to normal operation as described in the service information.

**Check the Operation of the Illuminated Door Sill Trim**

59. Make sure the lights come on when you open each front door.