



## INSTALLATION INSTRUCTIONS

Accessory  
CARGO ORGANIZER RINGS  
P/N 08U20-TVA-100

Application  
2019 INSIGHT

Publications No.  
**VERSION 1**  
Issue Date  
**JUNE 2018**

### PARTS LIST

2 Rings



Accessory user's information manual



### TOOLS AND SUPPLIES REQUIRED

Drill

8 mm Drill bit

Eye protection (face shield, safety goggles, etc.)

Touch-up paint

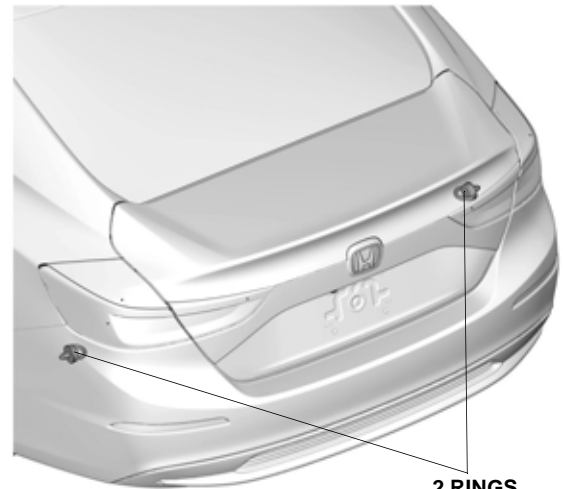
Masking tape

Ruler

*The following tools are available through the Honda Tool and Equipment Program. On the iN, click on Service > Service Bay > Tool and Equipment Program, then enter the number under "Search." Or, call 888-424-6857.*

- Trim Tool Set (T/N SOJATP2014)
- Plastic Trim Tool (T/N SILTRIMTL10)
- Deburring Tool (T/N DEBUR300)

### Illustration of the Cargo Organizer Rings Installed in the Vehicle



2 RINGS

QG00601AR

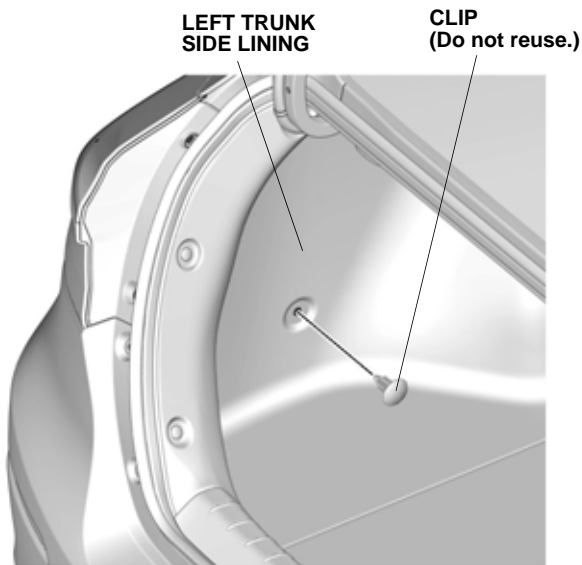
### INSTALLATION

**Customer Information:** The information in this installation instruction is intended for use only by skilled technicians who have the proper tools, equipment, and training to correctly and safely add equipment to your vehicle. These procedures should not be attempted by "do-it-yourselfers."

NOTE: Be careful not to damage the body.

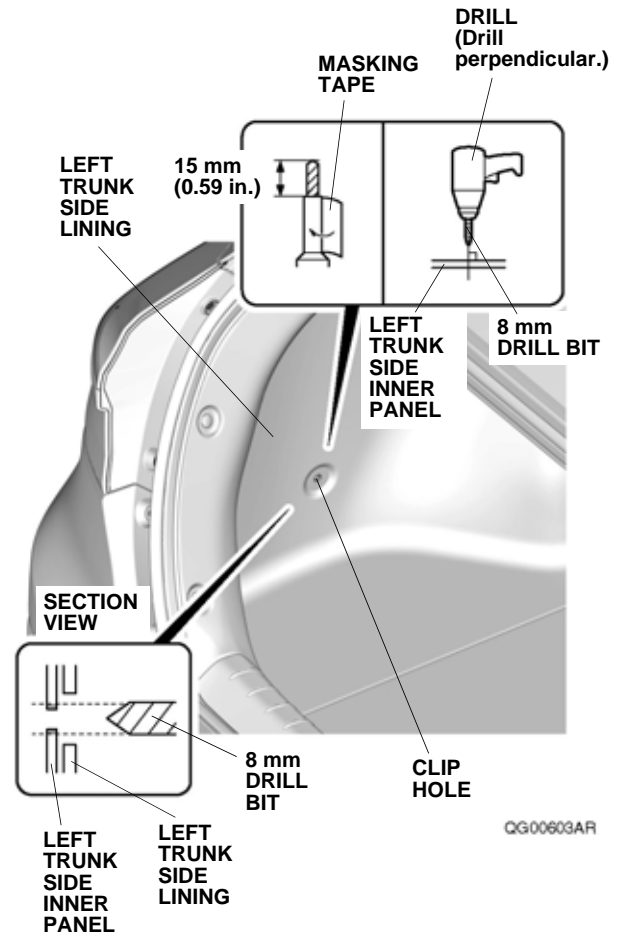
## Installing the Cargo Organizer Rings

1. Open the trunk lid. Remove one clip from the left trunk side lining. Repeat on the right side of the vehicle.



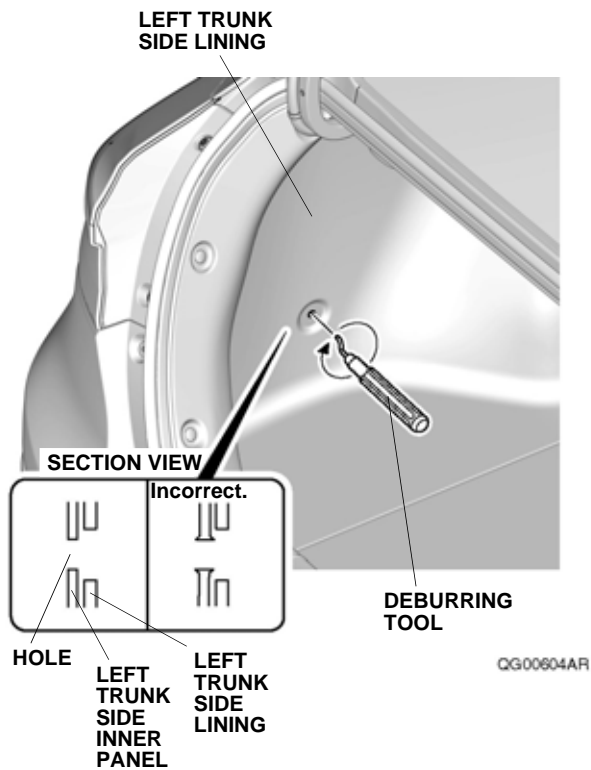
QG00602AR

2. While wearing eye protection, enlarge the clip hole in the left trunk side inner panel to 8 mm.  
NOTE: Wrap masking tape around the drill bit 15 mm (0.59 in.) away from the tip, or use a drill stop. Make sure to drill perpendicular to the left trunk side inner panel.



QG00603AR

- Using a deburring tool, remove all burrs from the hole.



- Apply touch-up paint to the hole, and allow the touch-up paint to dry.
- Repeat steps 2 through 4 on the right side of the vehicle.
- Install the ring to the hole as shown. Repeat on the right side of the vehicle.

