

Germain Honda of College Hills



INSTALLATION INSTRUCTIONS

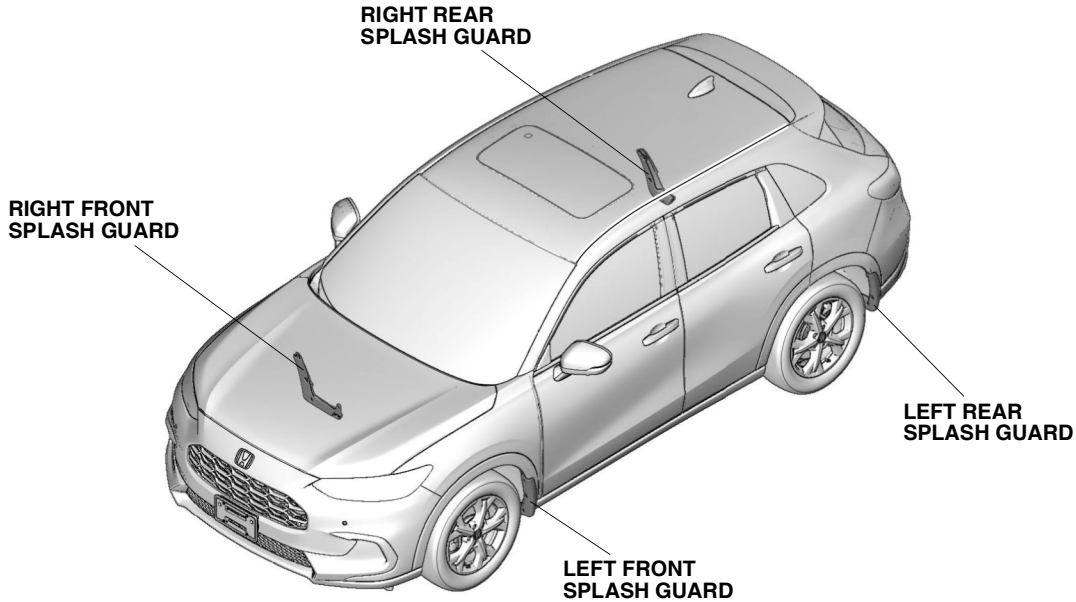
Accessory
SPLASH GUARDS

Application
**2023 HR-V
MODEL SERIES**

Publications No.
VERSION 1

Issue Date
MAY 2022

GENERAL VIEW



QL53101AN

FOR YOUR SAFETY (Read carefully.)

Warning Symbols

Safety: Your safety, and the safety of others, is important. To help you make informed decisions about service procedures, we have provided safety messages where appropriate. Of course, it is not practical or possible to warn you about all the hazards associated with servicing a vehicle - you must use your own good judgment.

You will find important safety messages preceded by one of following symbols:

*All symbols are not used in all installation instructions.

 **DANGER**

You will be killed or seriously hurt if you do not follow the instructions.

 **WARNING**

You can be killed or seriously hurt if you do not follow the instructions.

 **CAUTION**

You can be hurt if you do not follow the instructions.

NOTICE

Gives advice to prevent damage to the product, vehicle, the environment or other property.

NOTE

Gives helpful information or instructions to be followed when installing this product.



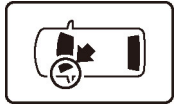
Indicates a prohibited action.

Germain Honda of College Hills

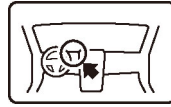
Procedure and Location Icons

These icons indicate the work location and the worker's point of view.

*All icons are not used in all installation instructions.



The location on the vehicle.



The location in the vehicle.
(instrument panel.)



Wear eye protection.



Wear heavy gloves.



Use an assistant.



Place the part on a blanket.



Work perpendicular.



Remove any burrs.



Use touch-up paint and allow to dry.



Tighten to the specified torque.



Apply firm pressure while rolling, especially at the ends, to set the adhesive.



Press firmly.



Clean with isopropyl alcohol.



Return the original part to the customer.
(Do not reuse.)

Safety: General

- Observe all safety notes and precautions described in the service information, in addition to those described in this Installation Instruction. Be extremely careful for your safety and safety of others.
- Be careful not to damage the vehicle or the parts.
- Note the locations of the parts before removing them so they can be properly installed in their original positions.
- The illustrations may differ slightly from the actual accessory.

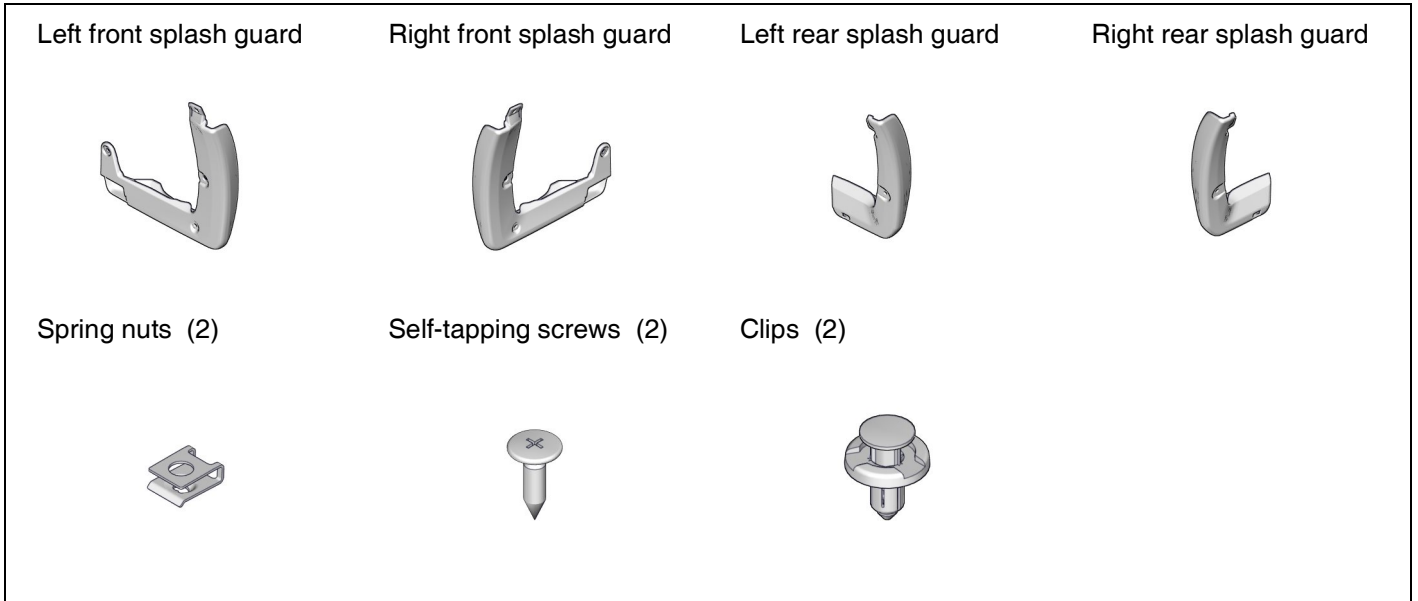
Safety: Accessory

Always use the parts and tools specified in the installation instructions.

Germain Honda of College Hills

PARTS LIST

Splash Guards Kit (P/N 08P00-3V0-100)



REQUIRED TOOLS AND SUPPLIES

- Phillips screwdriver
- Stubby Phillips screwdriver
- Pushpin

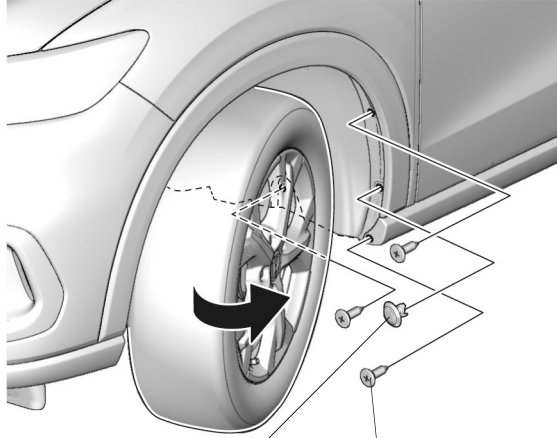
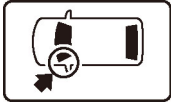
The following tools are available through the Honda Tool and Equipment Program:

- Trim Tool Set (T/N SOJATP2014)
- Plastic Trim Tool (T/N SILTRIMTL10)

Germain Honda of College Hills

INSTALLATION

1. Turn the steering wheel fully counterclockwise.



CLIP



3 SELF-TAPPING
SCREWS

QL53102AN

2. Remove the self-tapping screws and clip.

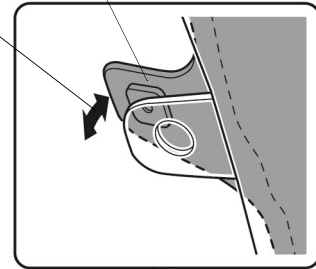
3. Install the left front splash guard.

NOTE

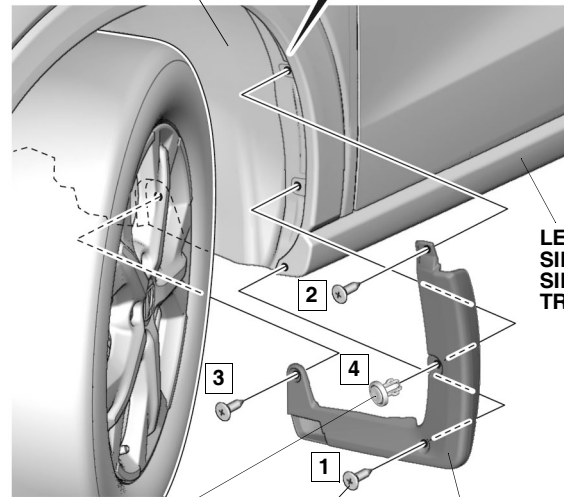
- Install in the order shown.
- Make sure that there is no gap between the splash guard and vehicle body. If there is a gap, loosen the self-tapping screws, hold the splash guard against the vehicle body, and retighten the screws.
- Make sure that the splash guard is properly installed.

Bend the mounting tab
to close the gap to the
vehicle body, if needed.

TAB



LEFT FRONT INNER FENDER



LEFT
SIDE
SILL
TRIM

CLIP
(supplied)

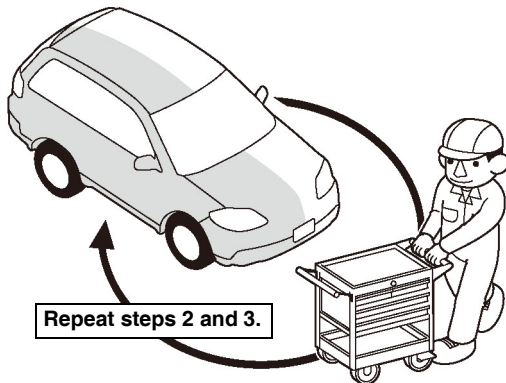
3 SELF-TAPPING
SCREWS

LEFT FRONT
SPLASH GUARD

QL53103CN

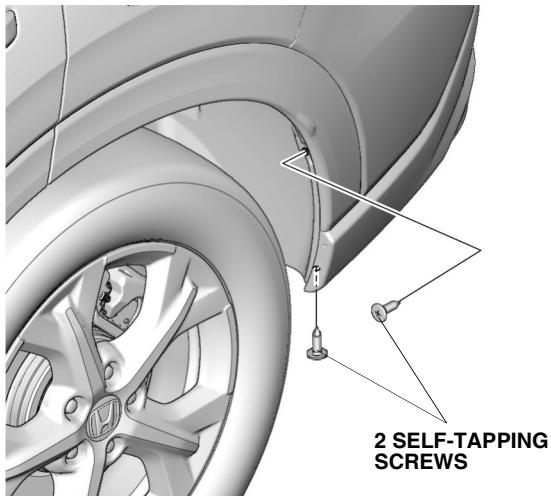
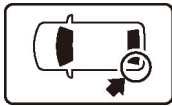
Germain Honda of College Hills

4. Turn the steering wheel fully clockwise, and repeat the same procedures on the other side.



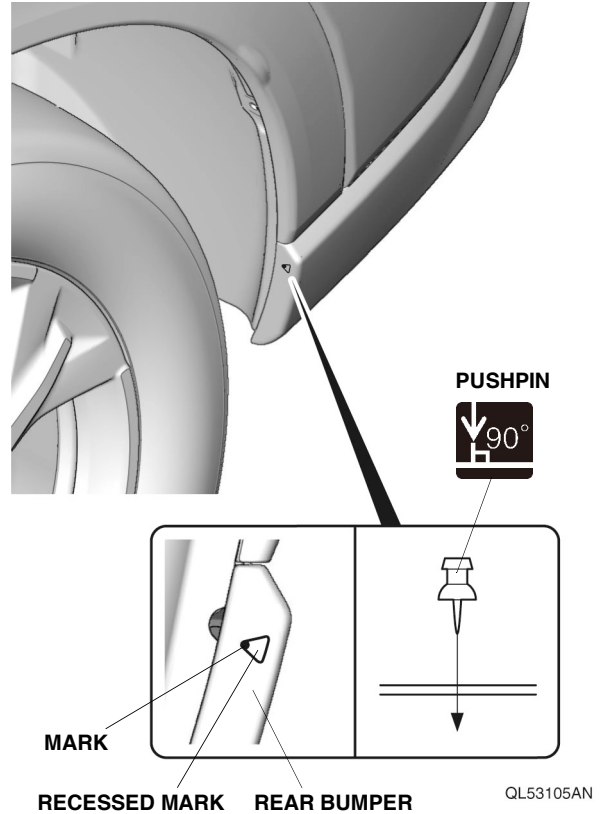
Q9D1012AE

5. Remove the self-tapping screws.



QL53104AN

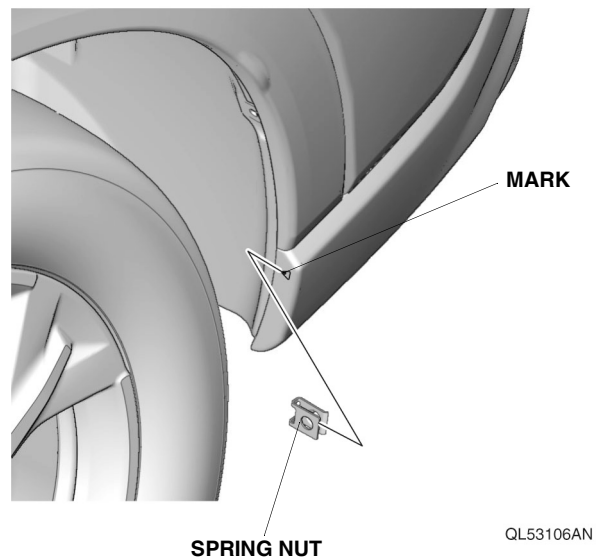
6. Pierce the rear bumper.



7. Install the spring nut.

NOTE

Make sure to install the spring nut in the correct orientation and with the large hole facing out.

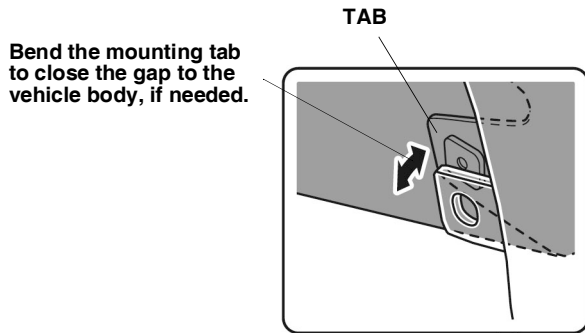


Germain Honda of College Hills

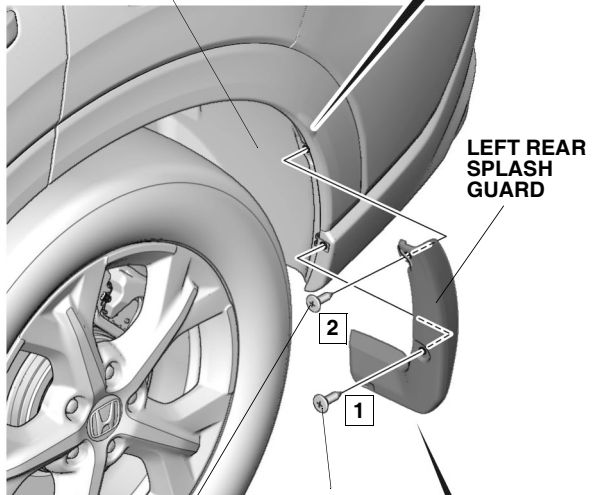
8. Install the left rear splash guard.

NOTE

- Install in the order shown.
- Make sure that there is no gap between the splash guard and vehicle body. If there is a gap, loosen the self-tapping screws, hold the splash guard against the vehicle body, and retighten the screws.
- Make sure that the splash guard is properly installed.



LEFT REAR INNER FENDER



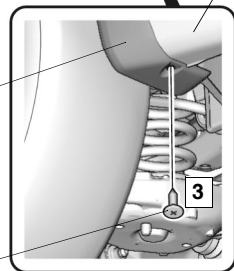
SELF-TAPPING SCREW (supplied)

REAR BUMPER

SELF-TAPPING SCREW

LEFT REAR SPLASH GUARD

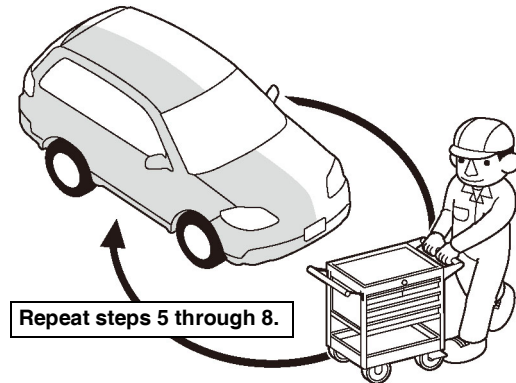
SELF-TAPPING SCREW



OPPOSITE SIDE VIEW

QL53107CN

9. Repeat the same procedures on the other side.



Q9D1012AE

10. Check that all parts are installed properly.