

Germain Honda of College Hills



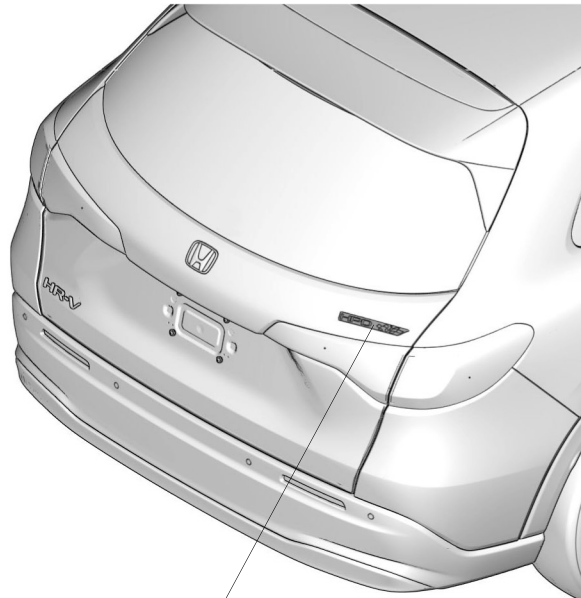
INSTALLATION INSTRUCTIONS

Accessory
HPD EMBLEM

Application
2023 HR-V
MODEL SERIES

Publications No.
VERSION 1
Issue Date
MAY 2022

GENERAL VIEW



HPD EMBLEM

QL51401AB

FOR YOUR SAFETY (Read carefully.)

Warning Symbols

Safety: Your safety, and the safety of others, is important. To help you make informed decisions about service procedures, we have provided safety messages where appropriate. Of course, it is not practical or possible to warn you about all the hazards associated with servicing a vehicle - you must use your own good judgment.

You will find important safety messages preceded by one of following symbols:

*All symbols are not used in all installation instructions.

 **DANGER**

You will be killed or seriously hurt if you do not follow the instructions.

 **WARNING**

You can be killed or seriously hurt if you do not follow the instructions.

 **CAUTION**

You can be hurt if you do not follow the instructions.

NOTICE

Gives advice to prevent damage to the product, vehicle, the environment or other property.

NOTE

Gives helpful information or instructions to be followed when installing this product.



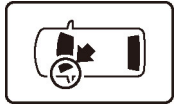
Indicates a prohibited action.

Germain Honda of College Hills

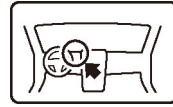
Procedure and Location Icons

These icons indicate the work location and the worker's point of view.

*All icons are not used in all installation instructions.



The location on the vehicle.



The location in the vehicle.
(instrument panel.)



Wear eye protection.



Wear heavy gloves.



Use an assistant.



Place the part on a blanket.



Work perpendicular.



Remove any burrs.



Use touch-up paint and allow to dry.



Tighten to the specified torque.



Apply firm pressure while rolling, especially at the ends, to set the adhesive.



Press firmly.



Clean with isopropyl alcohol.



Return the original part to the customer.
(Do not reuse.)

Safety: General

- Be careful not to damage the vehicle or the parts.
- The illustrations may differ slightly from the actual accessory.

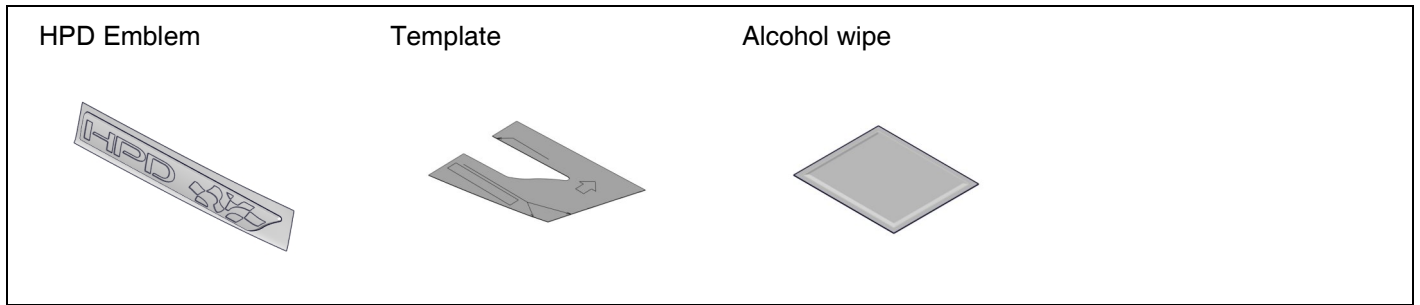
Safety: Accessory

- Do not install the accessory on a dirty surface or in direct sunlight.
- Make sure the ambient air temperature is 60°F (15°C) or above when installing accessories that use adhesive material.
- When pressing the accessory firmly with the palm of your hand, be careful not to damage it or the vehicle.
- When applying adhesive material, make sure it is lined up properly before attaching. Once the adhesive material touches the surface, do not try to remove it. If you do, you could damage the part.
- Do not wash the vehicle for 24 hours to allow the adhesive to cure.

Germain Honda of College Hills

PARTS LIST

HPD Emblem Kit (P/N 08F20-3V0-100D)



REQUIRED TOOLS AND SUPPLIES

Masking tape

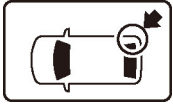
The following tool is available through the Honda Tool and Equipment Program:

Rubber Roller (T/N MHLE54D)

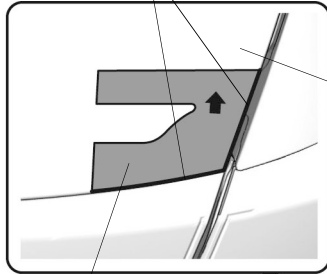
Germain Honda of College Hills

INSTALLATION

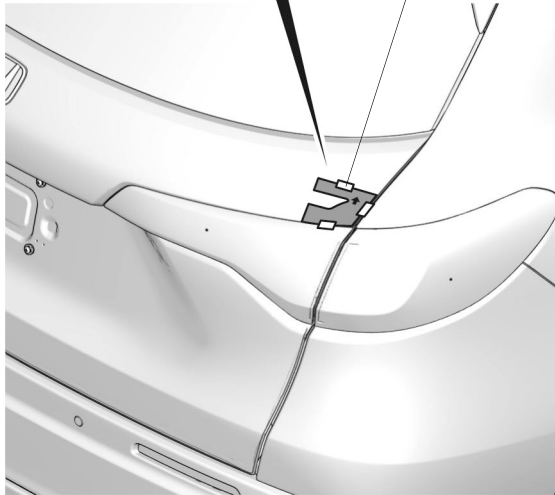
1. Secure the template.



Line up with the end of the curved surface of the rear license trim.



TEMPLATE

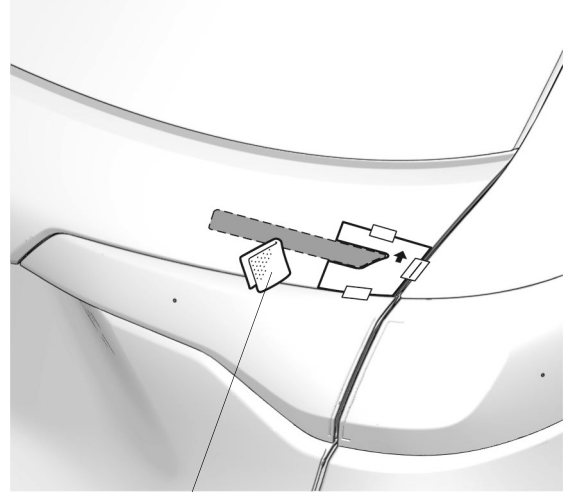


QL51402AB

2. Clean the attaching area.

NOTE

Allow to dry thoroughly.

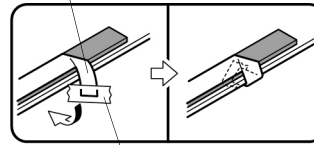


ALCOHOL
WIPE

QL51403AB

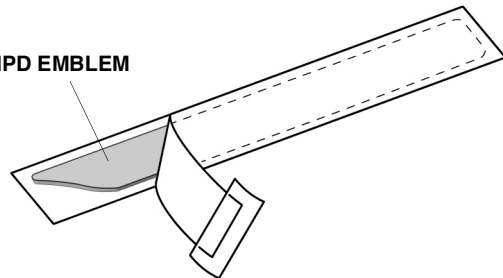
3. Temporarily attach the adhesive backing.

ADHESIVE
BACKING
(Attach.)



MASKING
TAPE

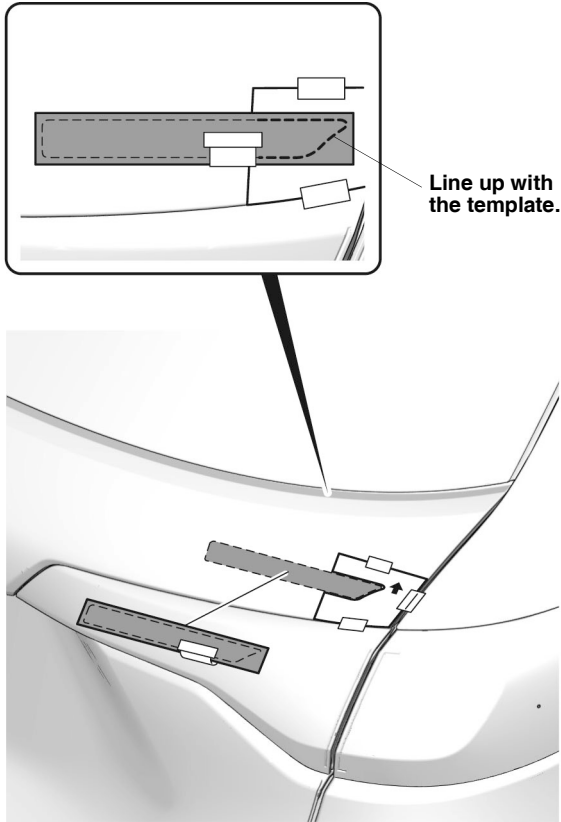
HPD EMBLEM



QK80204CR

Germain Honda of College Hills

4. Line up the HPD emblem.



5. Attach the HPD emblem.

NOTE

Check the position of the double-sided adhesive tape and make sure to press firmly.

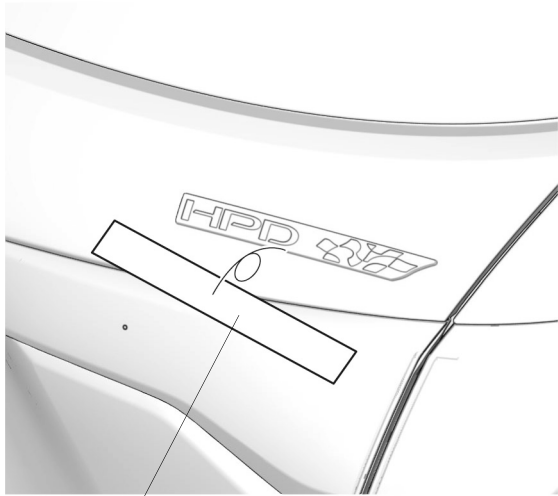


6. Remove the template.
7. Secure the HPD emblem.



Germain Honda of College Hills

8. Remove the protective film.



QL51407AB

9. Check that all parts are installed properly.