

Germain Honda of College Hills



INSTALLATION INSTRUCTIONS

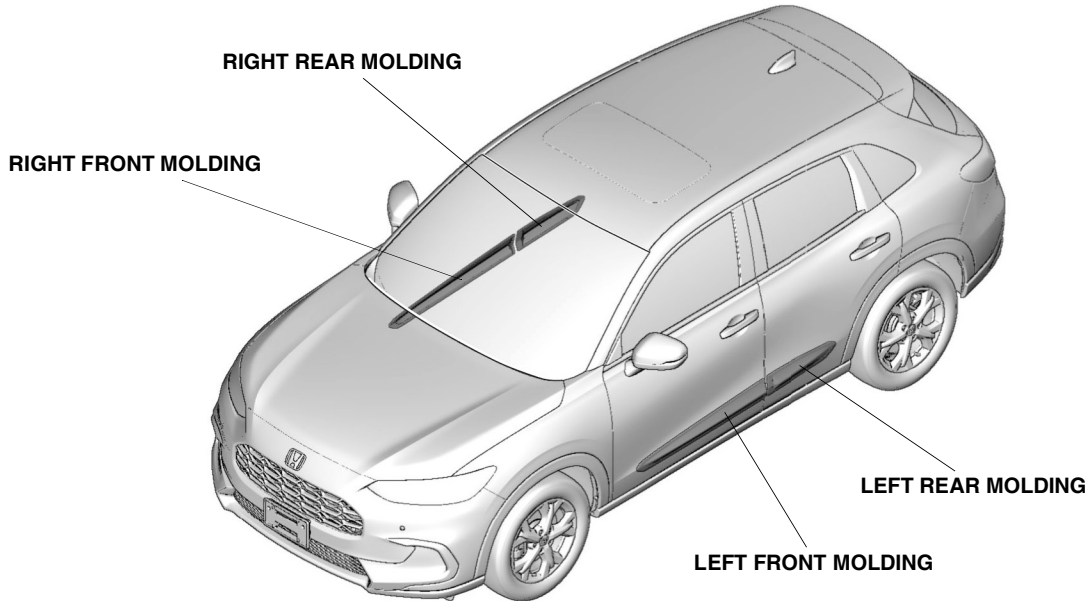
Accessory
BODY SIDE MOLDINGS

Application
**2023 HR-V
MODEL SERIES**

Publications No.
VERSION 1
Issue Date
MAY 2022

GENERAL VIEW

If you are also installing door edge guards (sold separately), install them before you install the body side moldings.



QL60701AN

FOR YOUR SAFETY (Read carefully.)

Warning Symbols

Safety: Your safety, and the safety of others, is important. To help you make informed decisions about service procedures, we have provided safety messages where appropriate. Of course, it is not practical or possible to warn you about all the hazards associated with servicing a vehicle - you must use your own good judgment.

You will find important safety messages preceded by one of following symbols:

*All symbols are not used in all installation instructions.

⚠ DANGER

You will be killed or seriously hurt if you do not follow the instructions.

⚠ WARNING

You can be killed or seriously hurt if you do not follow the instructions.

⚠ CAUTION

You can be hurt if you do not follow the instructions.

NOTICE

Gives advice to prevent damage to the product, vehicle, the environment or other property.

NOTE

Gives helpful information or instructions to be followed when installing this product.



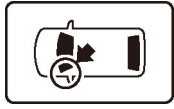
Indicates a prohibited action.

Germain Honda of College Hills

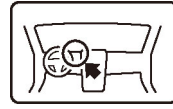
Procedure and Location Icons

These icons indicate the work location and the worker's point of view.

*All icons are not used in all installation instructions.



The location on the vehicle.



The location in the vehicle.
(instrument panel.)



Wear eye protection.



Wear heavy gloves.



Use an assistant.



Place the part on a blanket.



Work perpendicular.



Remove any burrs.



Use touch-up paint and allow to dry.



Tighten to the specified torque.



Apply firm pressure while rolling, especially at the ends, to set the adhesive.



Press firmly.



Clean with isopropyl alcohol.



Return the original part to the customer.
(Do not reuse.)

Safety: General

- Be careful not to damage the vehicle or the parts.
- The illustrations may differ slightly from the actual accessory.

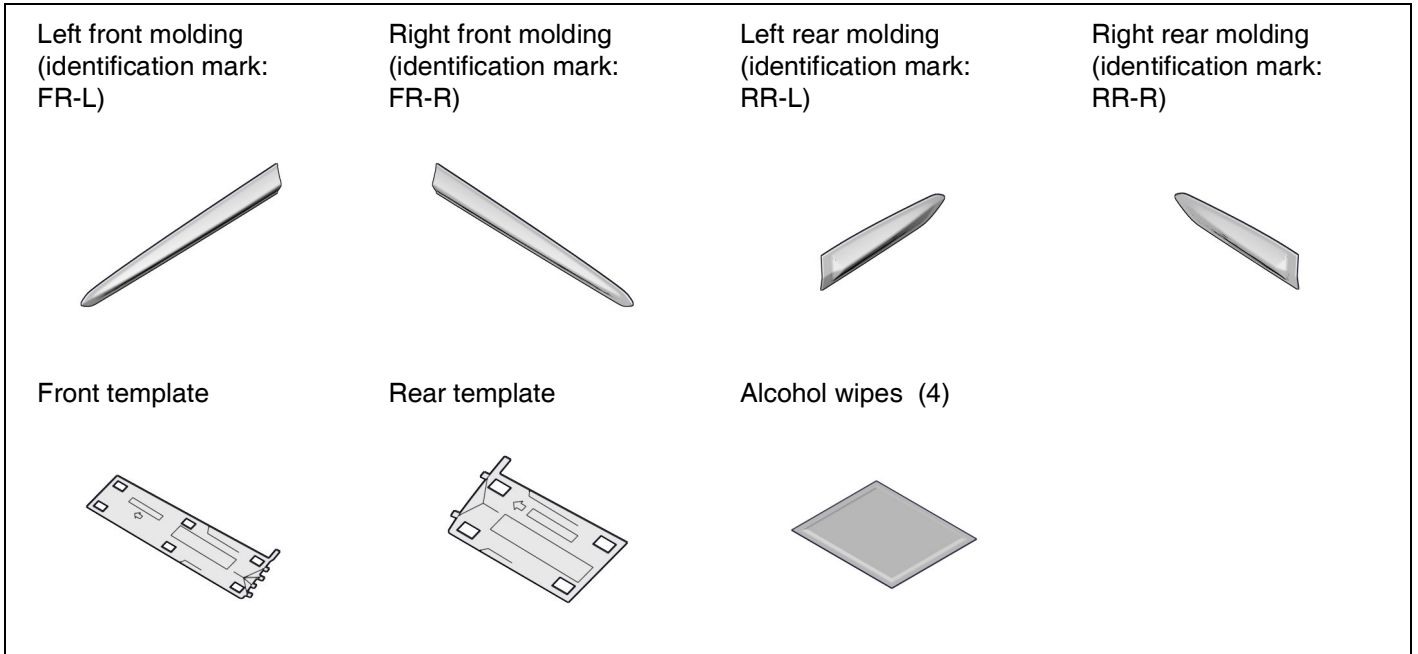
Safety: Accessory

- Do not install the accessory on a dirty surface or in direct sunlight.
- Make sure the ambient air temperature is 60°F (15°C) or above when installing accessories that use adhesive material.
- When pressing the accessory firmly with the palm of your hand, be careful not to damage it or the vehicle.
- When applying adhesive material, make sure it is lined up properly before attaching. Once the adhesive material touches the surface, do not try to remove it. If you do, you could damage the part.
- Do not wash the vehicle for 24 hours to allow the adhesive to cure.

Germain Honda of College Hills

PARTS LIST

Body Side Moldings Kit (P/N 08P05-3V0-100)



REQUIRED TOOLS AND SUPPLIES

Masking tape

The following tool is available through the Honda Tool and Equipment Program:

Rubber Roller (T/N MHLE54D)

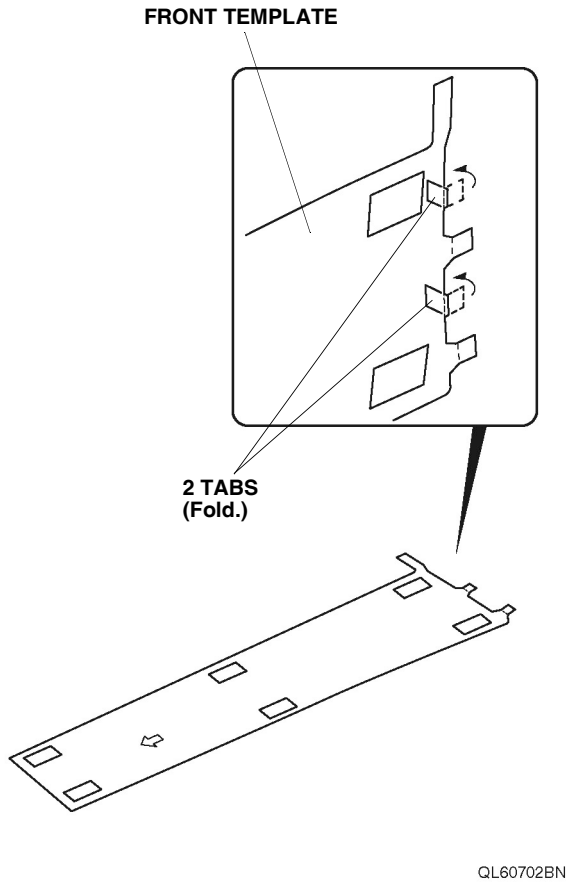
Germain Honda of College Hills

INSTALLATION

1. Choose one of these options.

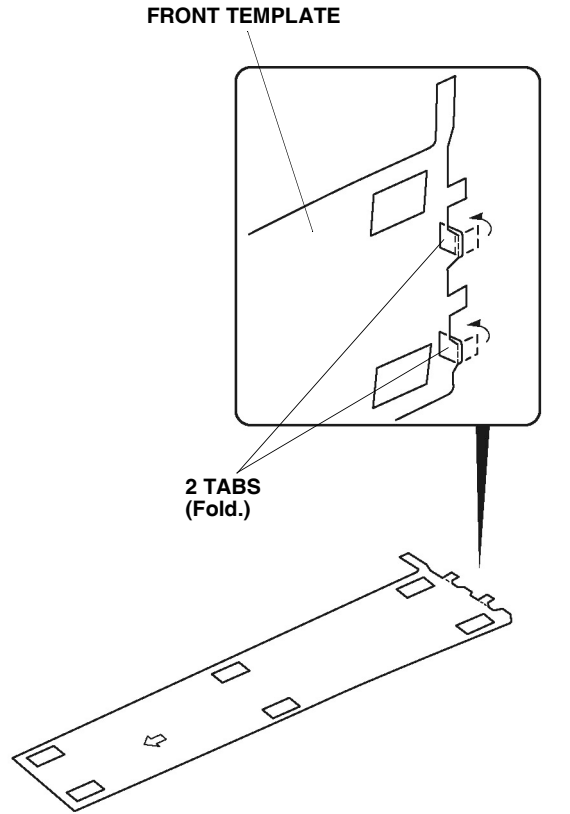
- | | |
|---------------------------|--------------|
| • Without door edge guard | Go to step 2 |
| • With door edge guard | Go to step 3 |

2. Fold the tabs.



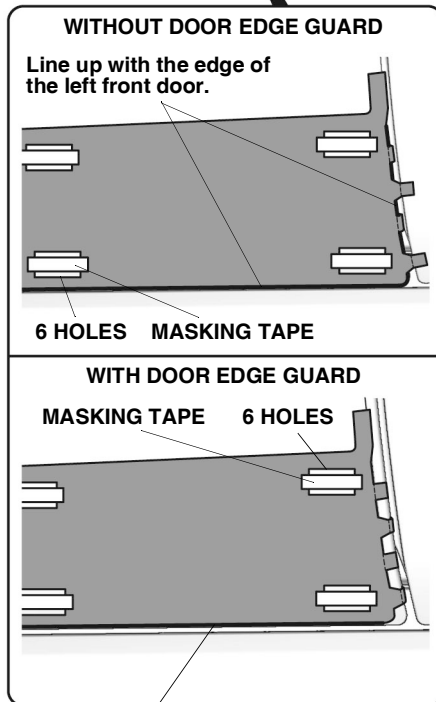
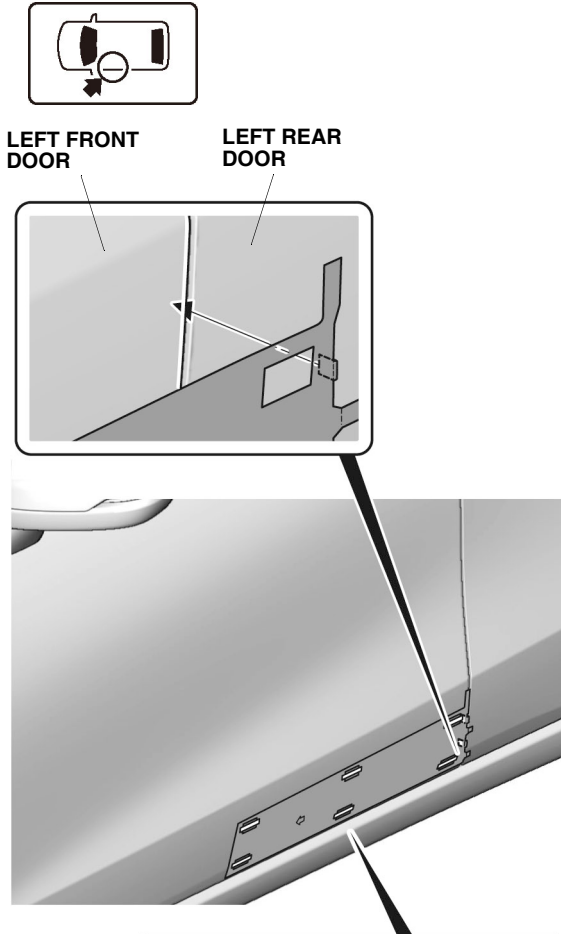
Go to step 4

3. Fold the tabs.



Germain Honda of College Hills

4. Secure the front template.

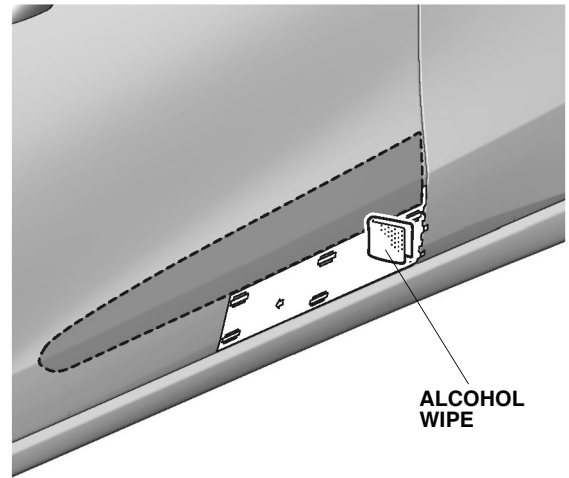


Line up with the edge of the left front door.

QL60703BN

5. Clean the attaching area.

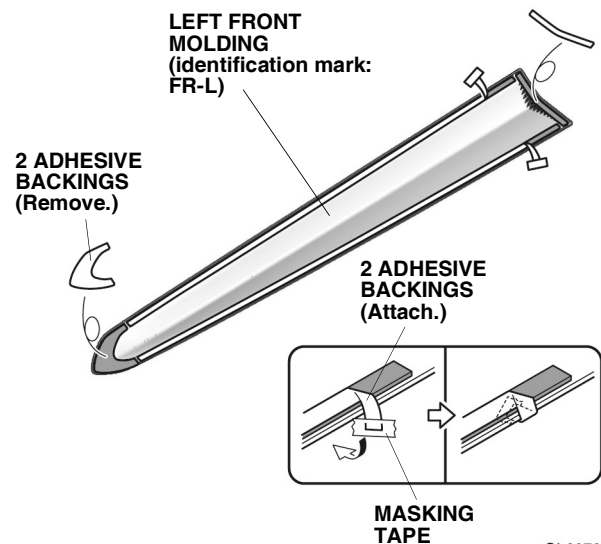
NOTE
Allow to dry thoroughly.



QL60705BN

6. Temporarily attach the adhesive backings.

NOTE
Make sure to check the identification mark before installation.

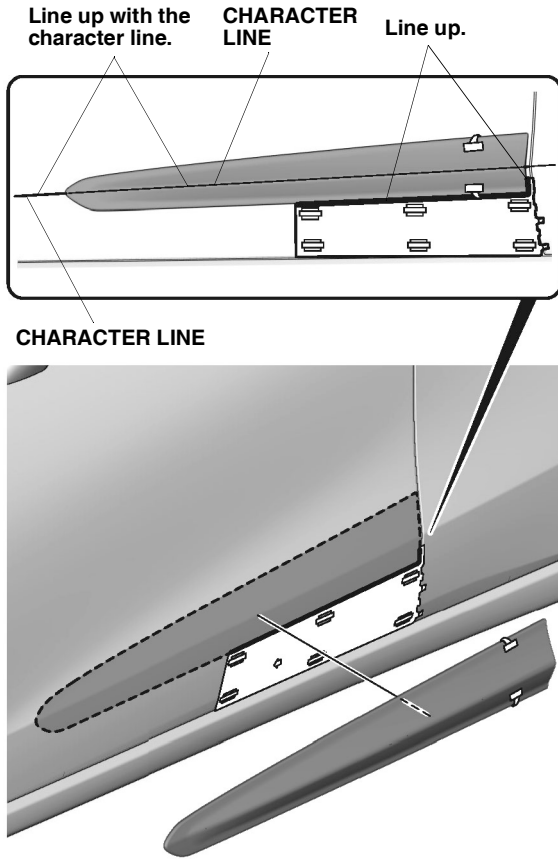


QL60707AN

7. Remove the adhesive backings.

Germain Honda of College Hills

8. Line up the left front molding.

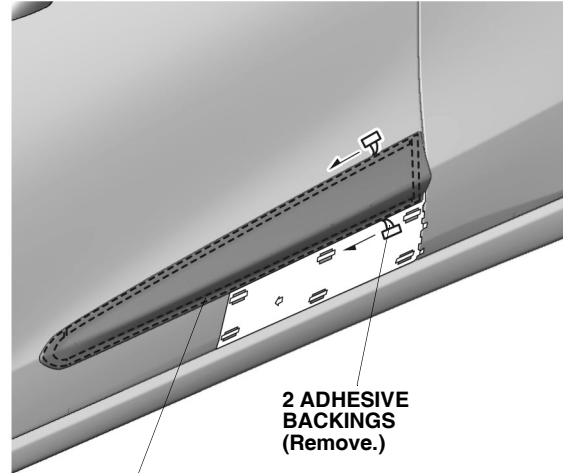


QL60708BN

9. Secure the left front molding.

NOTE

Check the position of the double-sided adhesive tapes and make sure to press firmly.

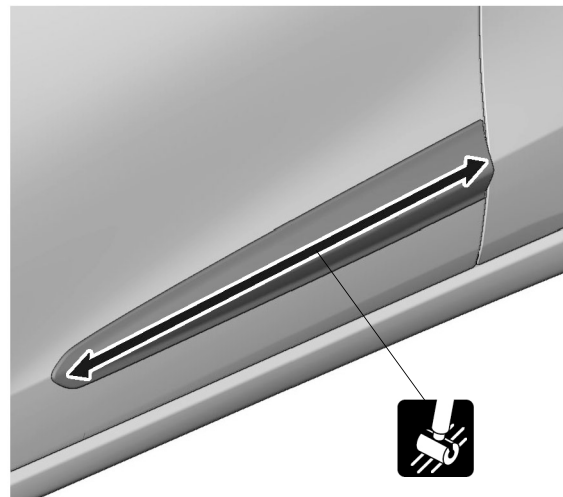


4 DOUBLE-SIDED ADHESIVE TAPES

QL60709BN



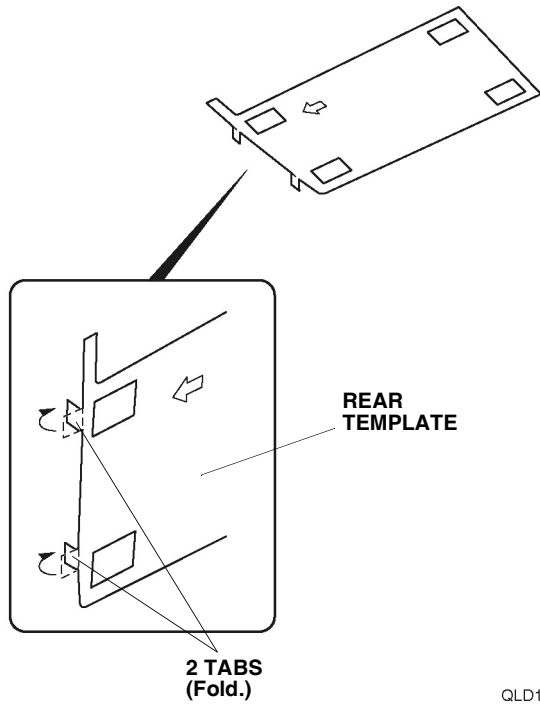
10. Remove the front template.
11. Secure the left front molding.



QL60710BN

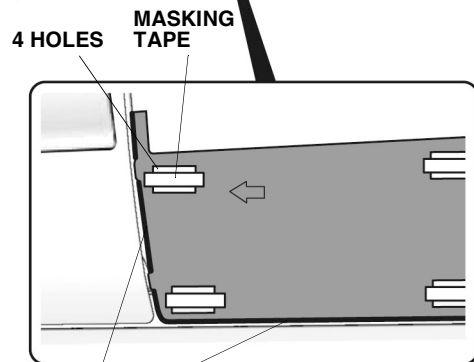
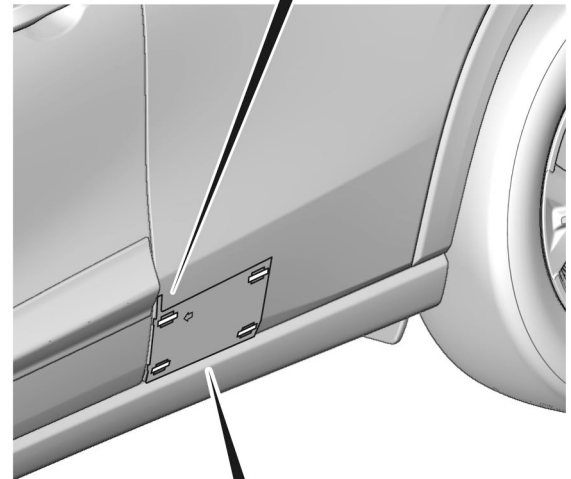
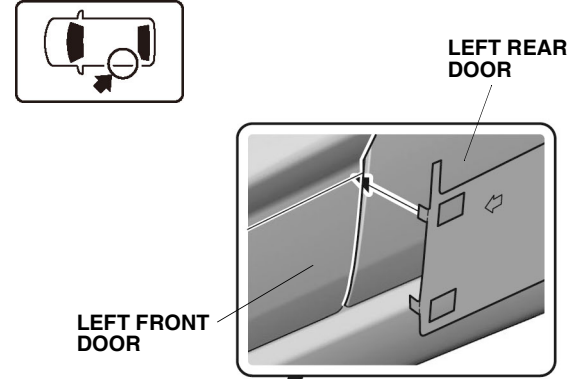
Germain Honda of College Hills

12. Fold the tabs.



QLD1702AG

13. Secure the rear template.



Line up with the edge of the left rear door.

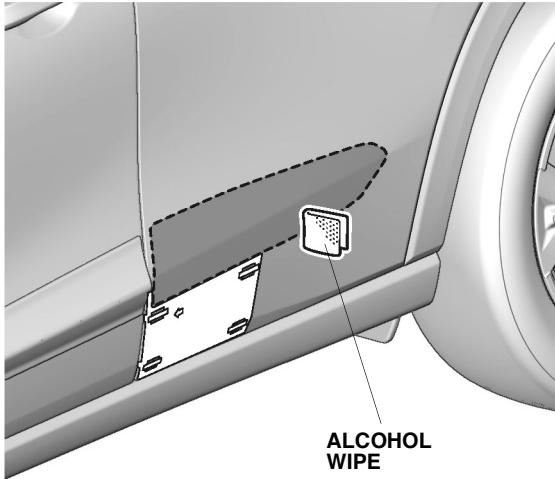
QL60704CN

Germain Honda of College Hills

14. Clean the attaching area.

NOTE

Allow to dry thoroughly.

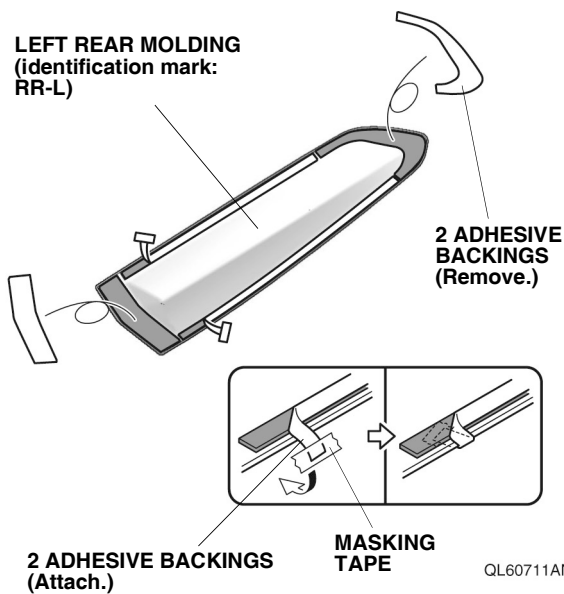


QL60706BN

15. Temporarily attach the adhesive backings.

NOTE

Make sure to check the identification mark before installation.

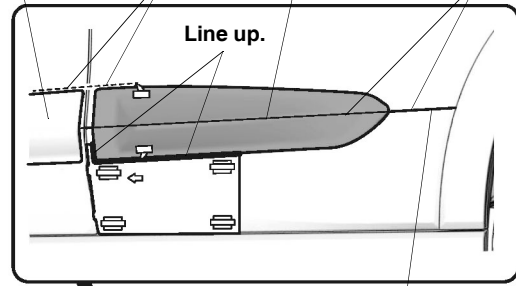


QL60711AN

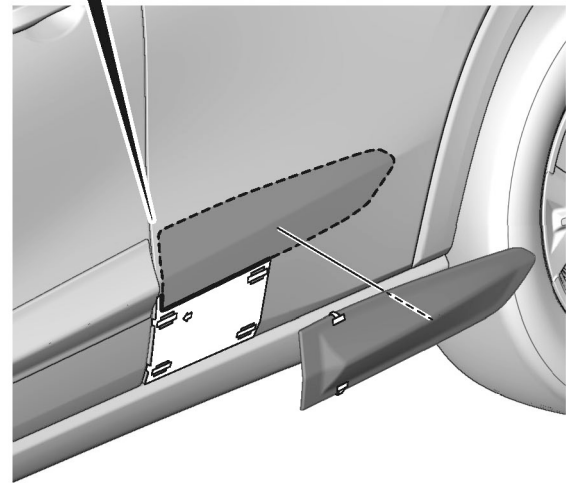
16. Remove the adhesive backings.

17. Line up the left rear molding.

LEFT FRONT MOLDING Line up. CHARACTER LINE Line up with the character line.



CHARACTER LINE



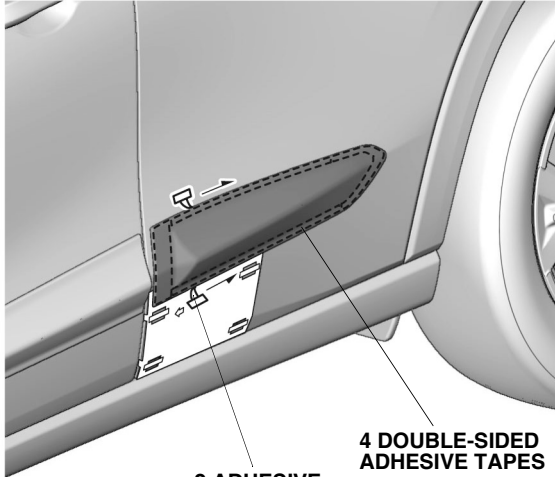
QL60712BN

Germain Honda of College Hills

18. Secure the left rear molding.

NOTE

Check the position of the double-sided adhesive tapes and make sure to press firmly.



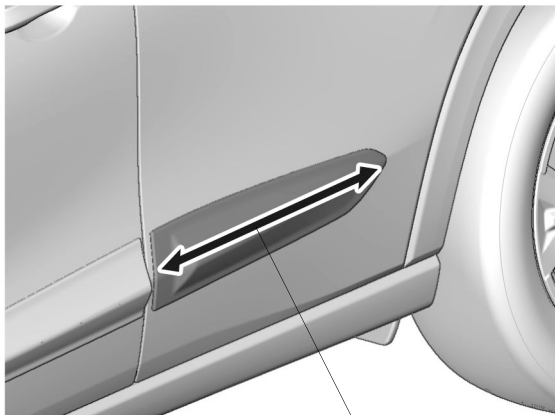
2 ADHESIVE BACKINGS (Remove.)

4 DOUBLE-SIDED ADHESIVE TAPES



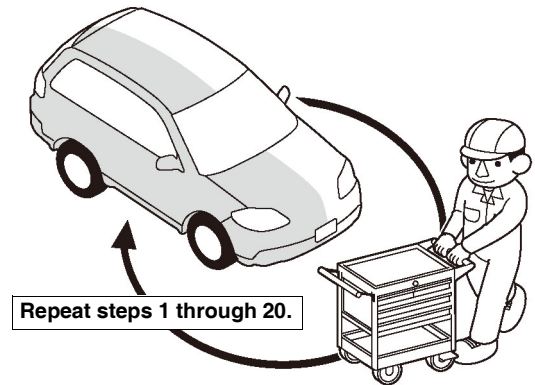
QL60713BN

19. Remove the rear template.
20. Secure the left rear molding.



QL60714AN

21. Flip the templates, and repeat the same procedures on the other side.



Repeat steps 1 through 20.

Q9D1012AE

22. Check that all parts are installed properly.