



## INSTALLATION INSTRUCTIONS

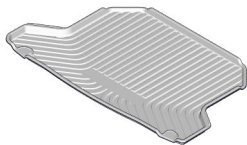
Accessory  
**CARGO TRAY**  
P/N 08U45-T7S-100

Application  
**2022 HR-V**

Publications No.  
**VERSION 1**  
Issue Date  
**JUL 2021**

### PARTS LIST

Cargo tray

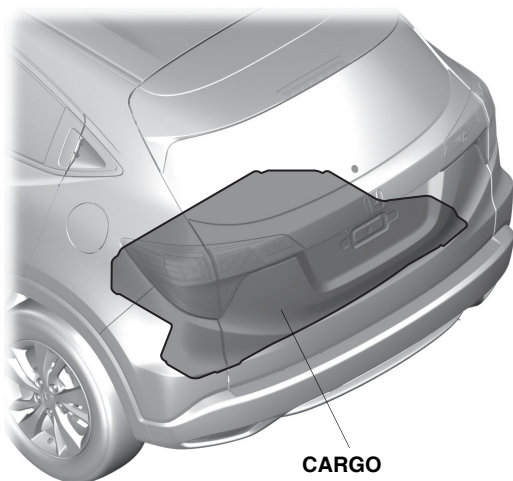


### TOOLS AND SUPPLIES REQUIRED

Utility knife

File

### Illustration of the Cargo Tray in the Vehicle



QD40801AK

### INSTALLATION

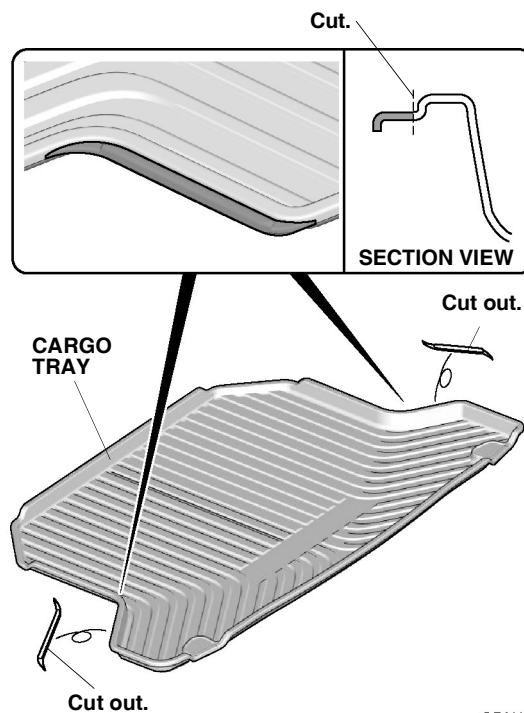
If the vehicle is 2WD, continue with step 1.

If the vehicle is AWD without the cargo net, go to step 3.

If the vehicle is AWD with the cargo net, go to step 4.

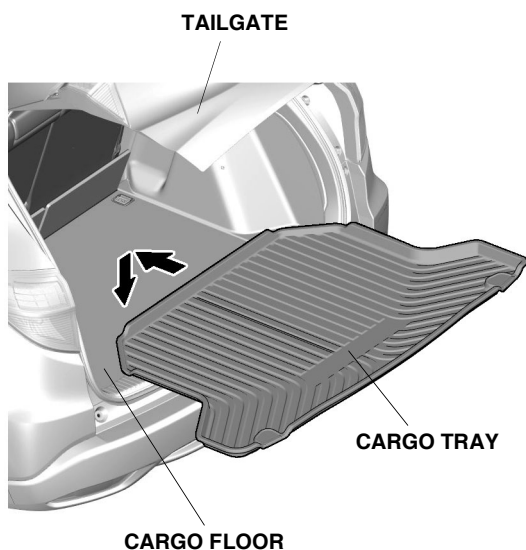
#### 2WD Models

1. Using a utility knife, cut out the cargo tray as shown. Remove any burrs.



QDN1501BT

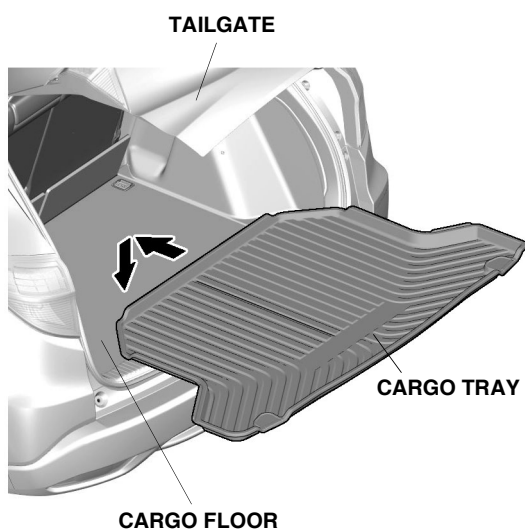
2. Open the tailgate. Place the cargo tray on the cargo floor.



QDN1502AT

## 4WD Models Without Cargo Net

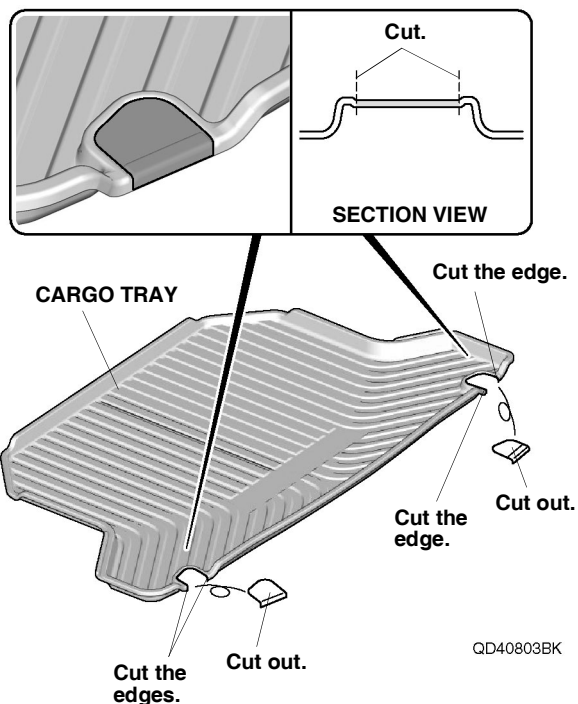
3. Open the tailgate. Place the cargo tray on the cargo floor.



QD40802BK

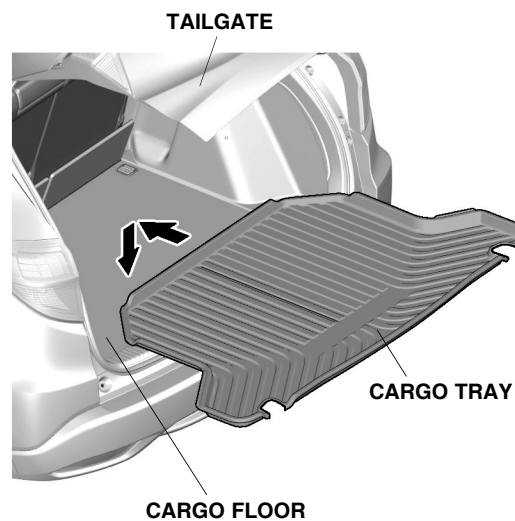
## 4WD Models With Cargo Net

4. Using a utility knife, cut out the cargo tray as shown. Remove any burrs.



QD40803BK

5. Open the tailgate. Place the cargo tray on the cargo floor.



QD40804BK