



## INSTALLATION INSTRUCTIONS

Accessory

SIDE LOWER TRIM  
P/N 08F04-T7S-1T0A

Application

2019 HR-V

Publications No.

VERSION 1

Issue Date

JUL 2018

### PARTS LIST

Left spoiler



Right spoiler



22 Seals



### TOOL AND SUPPLIES REQUIRED

Phillips screwdriver

Stubby Phillips screwdriver

Shop towel

The following tools are available through the Honda Tool and Equipment Program. On the iN, click on: Service > Service Bay > Tool and Equipment Program, then enter the number under "Search." Or, call 888-424-6857.

- Trim Tool Set (T/N SOJATP2014)
- Plastic Trim Tool (T/N SILTRIMTL10)

### INSTALLATION

**Customer Information:** The information in this installation instruction is intended for use only by skilled technicians who have the proper tools, equipment, and training to correctly and safely add equipment to your vehicle. These procedures should not be attempted by "do-it-yourselfers."

#### NOTE:

- These instructions show the left spoiler being installed. The same procedure applies to installing the right spoiler.
- Be careful not to damage the paint finish.

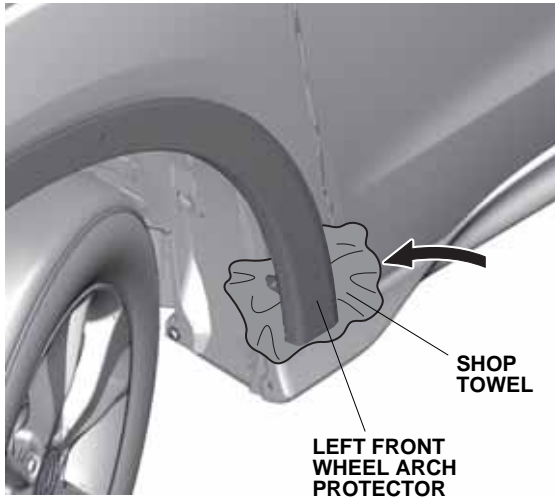
#### Installing the Spoilers

1. Turn the steering wheel fully counterclockwise.



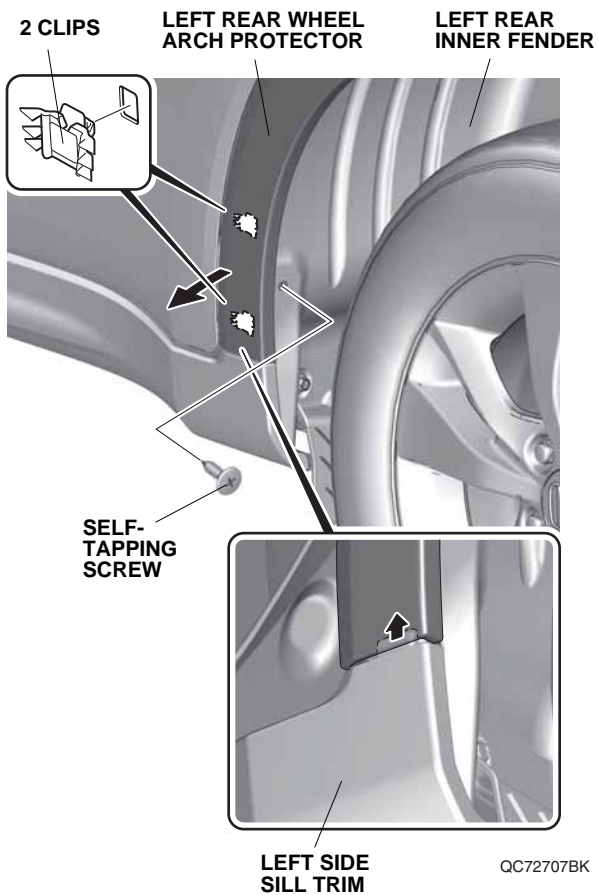
2. Remove two self-tapping screws and one clip. Pull out the left front wheel arch protector to release the clip.

3. Insert a shop towel under the left front wheel arch protector.

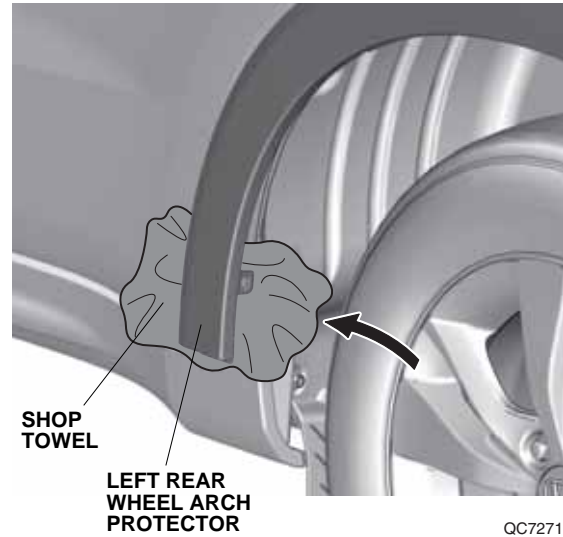


QC72706BK

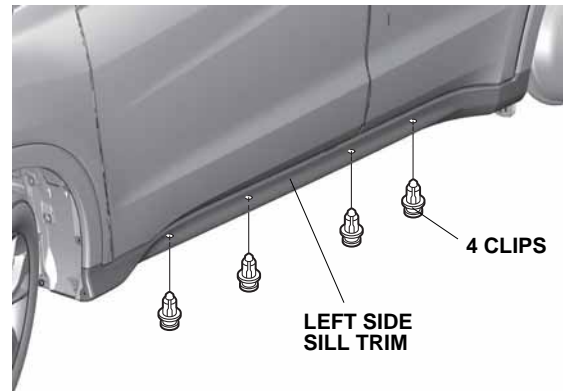
4. Remove the self-tapping screw. Pull out the left rear wheel arch protector to release the two clips.



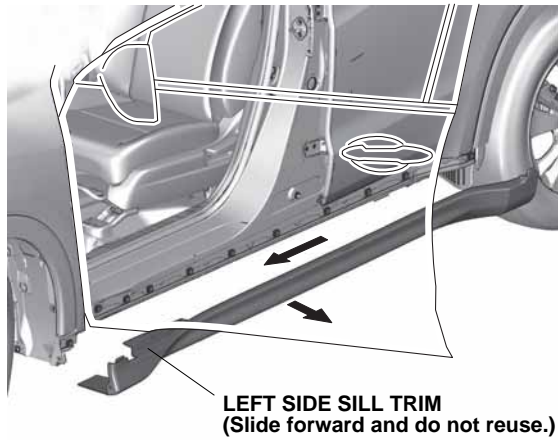
5. Insert a shop towel under the left rear wheel arch protector.



6. Remove the four clips from the left side sill trim.

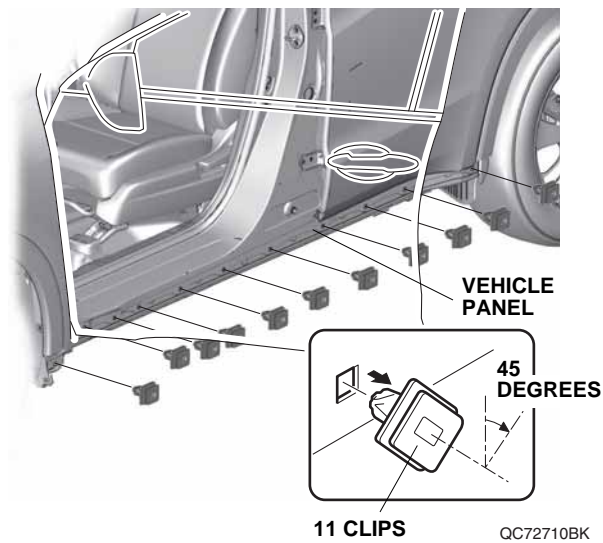


7. Open the left front door.

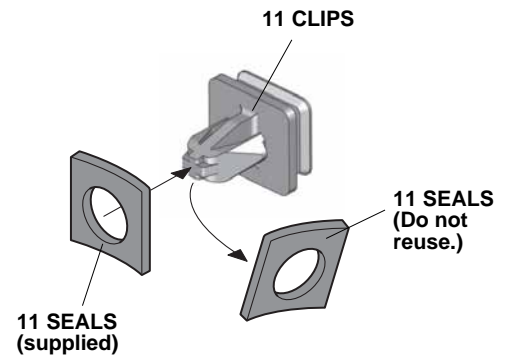


QC72709BK

8. Remove the left side sill trim.  
9. Remove 11 clips from vehicle panel.

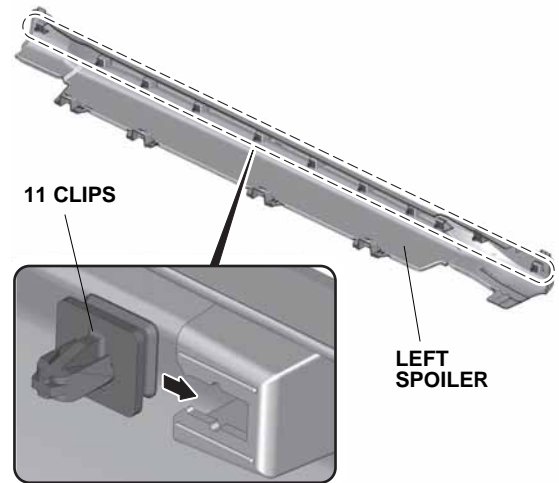


10. Replace the seals on the clips.



QC72711AK

11. Install the clips on the left spoiler.

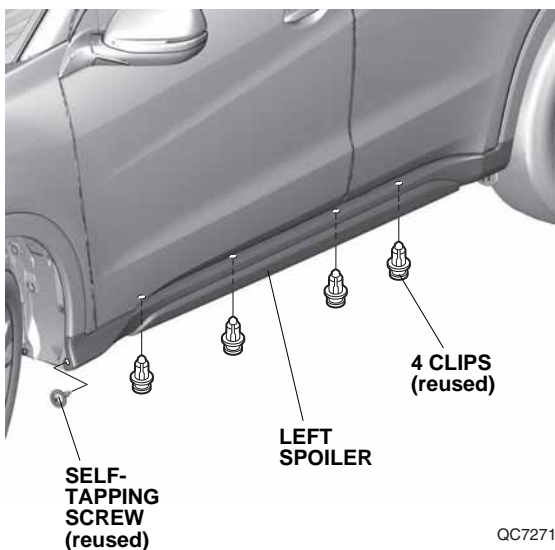


QC72712AK

12. Install the left spoiler on the vehicle panel.



13. Close the left front door.
14. Install the left front wheel arch protector and the left rear wheel arch protector.
15. Secure the left spoiler with one self-tapping screw and four clips.



16. Turn the steering wheel fully clockwise, and repeat steps 2 through 15 to install the right spoiler.