



## INSTALLATION INSTRUCTIONS

Accessory  
2ND ROW SEAT COVERS  
P/N 08P32-T7S-100

Application  
2019 HR-V

Publications No.  
**VERSION 1**  
Issue Date  
**JUL 2018**

### PARTS LIST

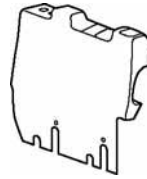
2 Head restraint covers



Center head restraint cover



Left seat-back cover



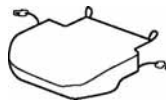
Right seat-back cover



Left seat cushion cover



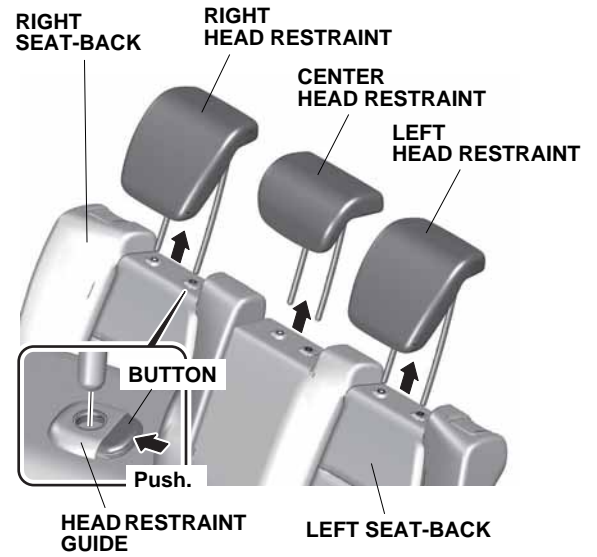
Right seat cushion cover



### INSTALLATION

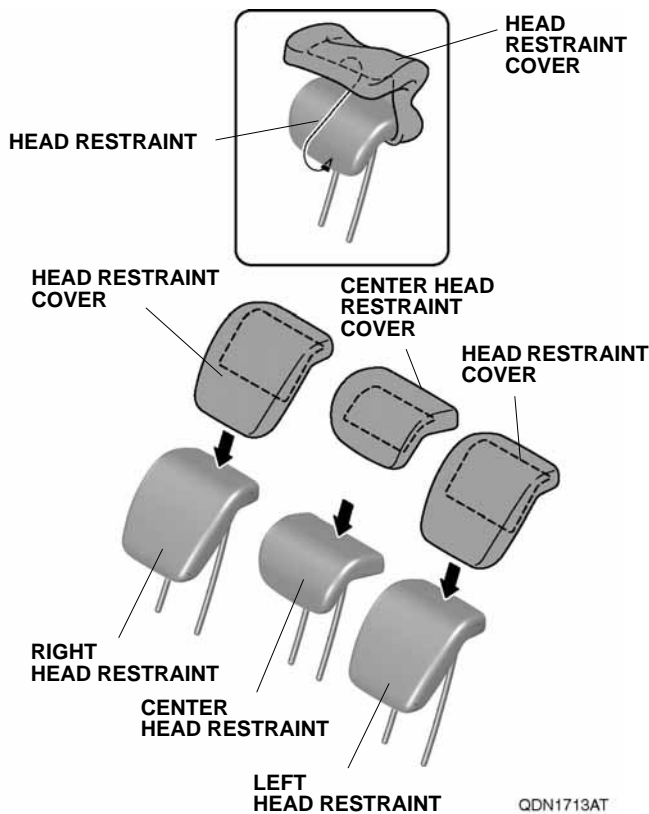
#### Installing the Head Restraint Covers

1. Remove each head restraint by pushing on the button and lifting up on the head restraint.



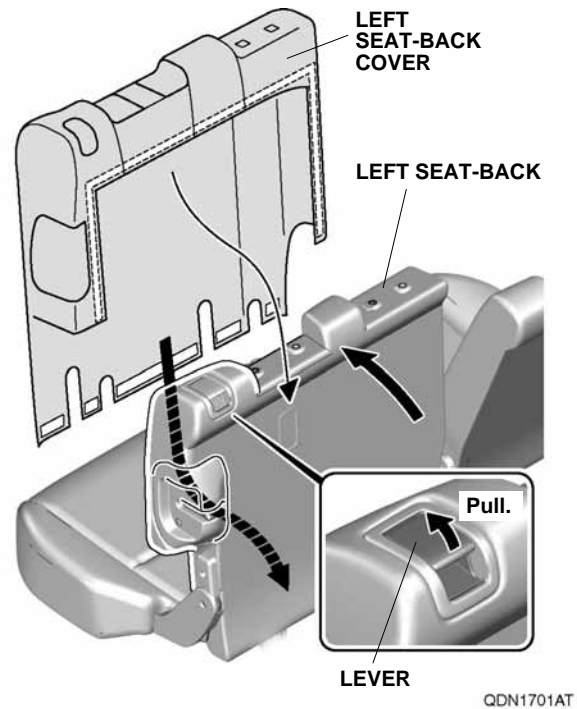
QC91301AK

2. Install a head restraint cover on each head restraint as shown.

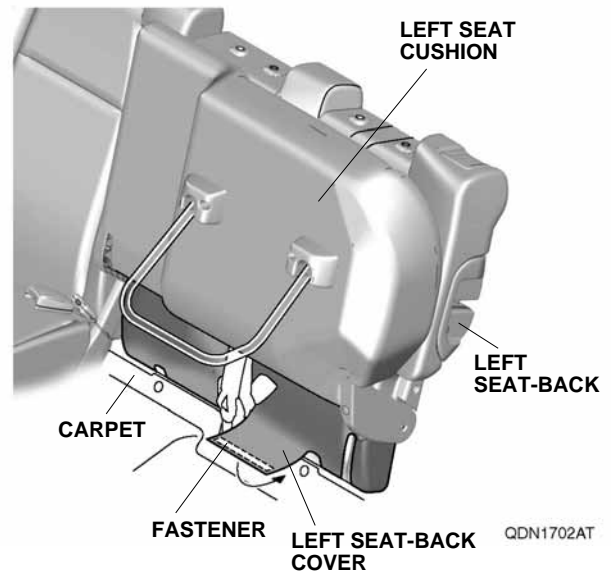


## Installing the Left Seat-back Cover

3. Pull the lever and fold the left seat-back halfway forward. Install the left seat-back cover over the left seat-back.



4. Lift up the left seat cushion. Secure the fastener on the left seat-back cover as shown.



5. Lower the left seat cushion and fold the left seat-back fully forward. Pull the seat-back cover tight and secure it to the left seat-back with five fasteners.

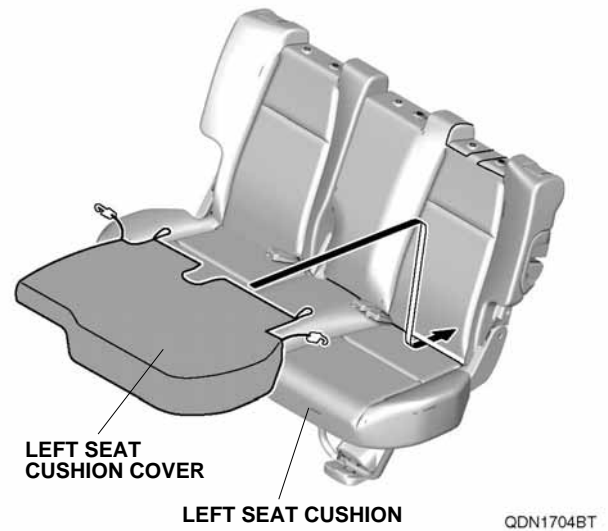


6. Lift the left seat-back. Tuck the left seat-back cover under each head restraint guide as shown.

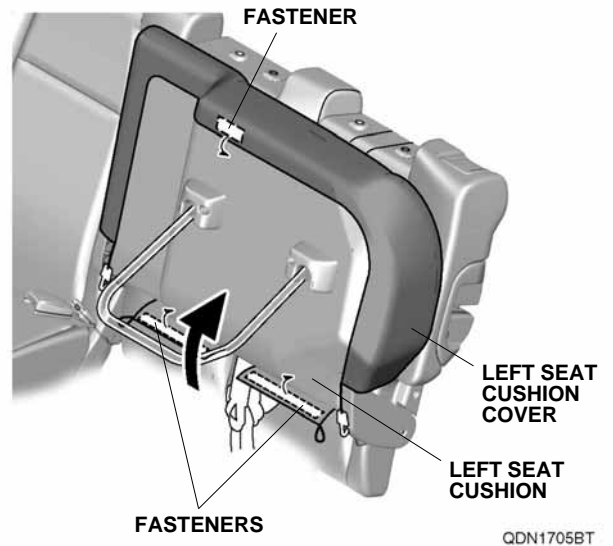


## Installing the Left Seat Cushion Cover

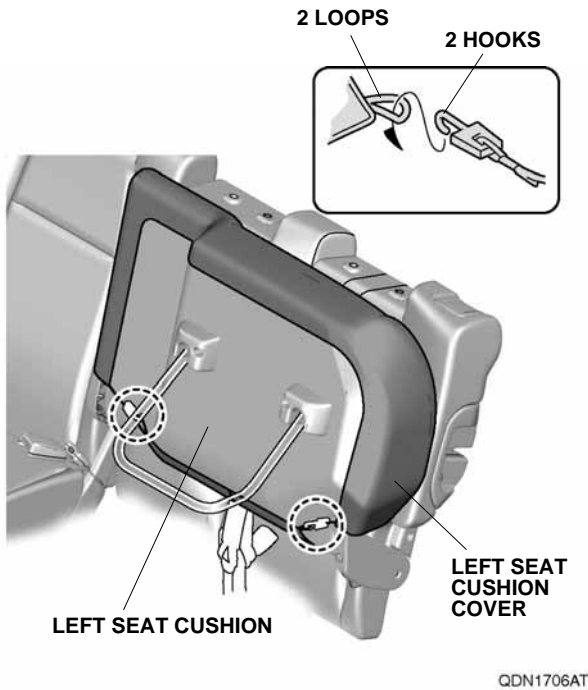
7. Install the left seat cushion cover over the left seat cushion.



8. Lift up the left seat cushion. Secure the fasteners on the left seat cushion cover as shown.

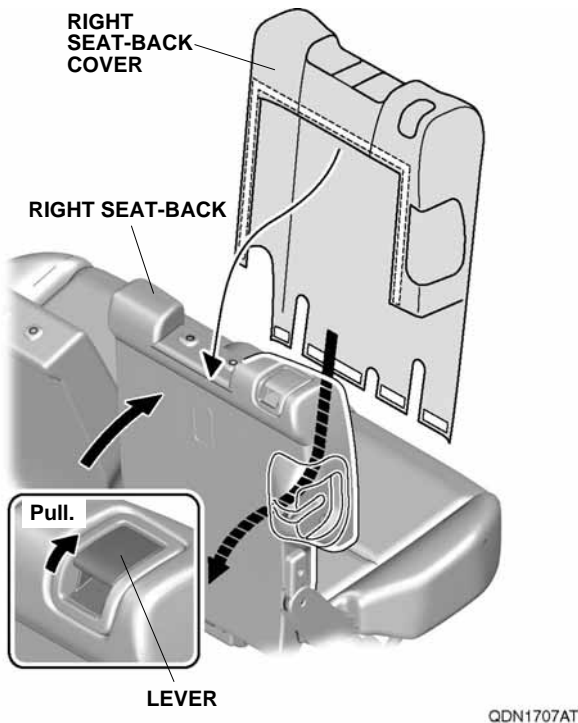


9. Secure the left seat cushion cover to the left seat cushion with the two hooks and two loops, and lower the left seat cushion.

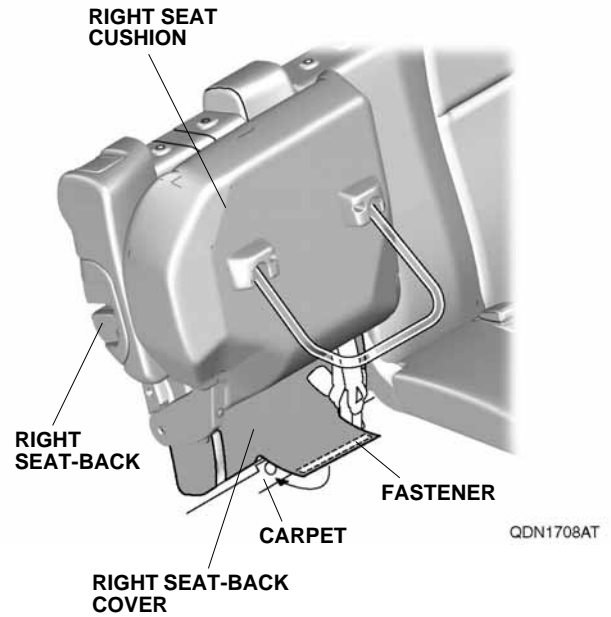


## Installing the Right Seat-back Cover

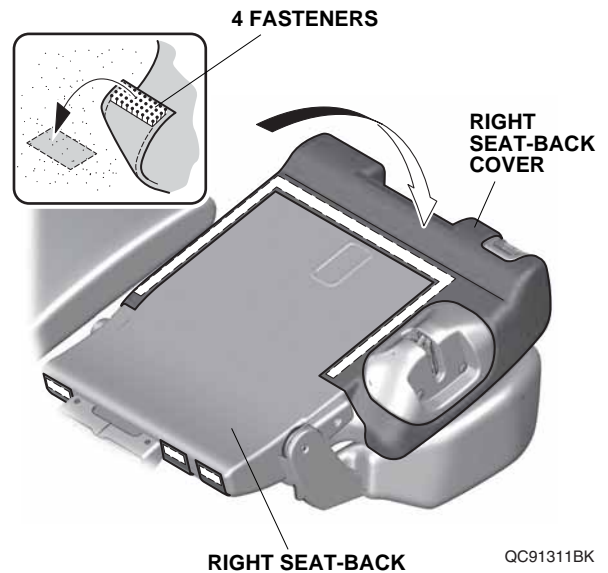
10. Pull the lever and fold the right seat-back halfway forward. Install the right seat-back cover over the right seat-back.



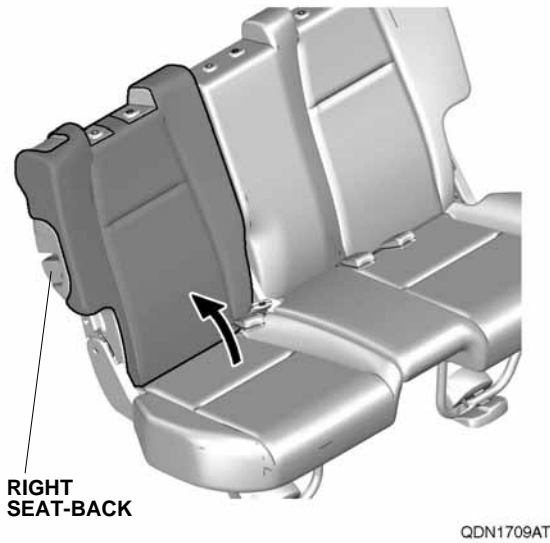
11. Lift up the right seat cushion. Secure the fastener on the right seat-back cover as shown.



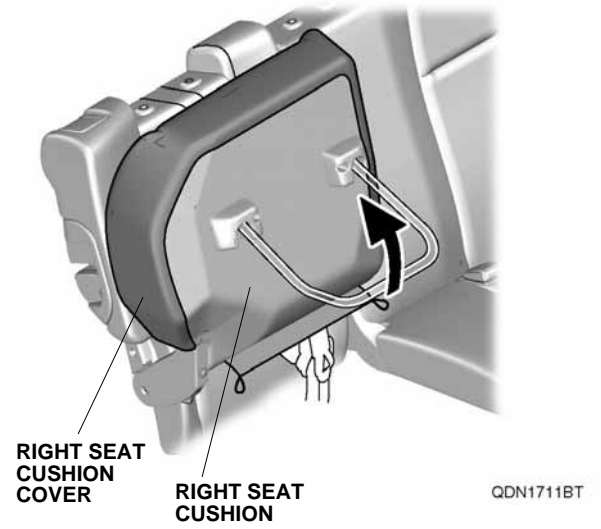
12. Lower the right seat cushion, and fold the right seat-back fully forward. Pull the seat-back cover tight, and secure it to the right seat-back with four fasteners.



13. Lift the right seat-back.

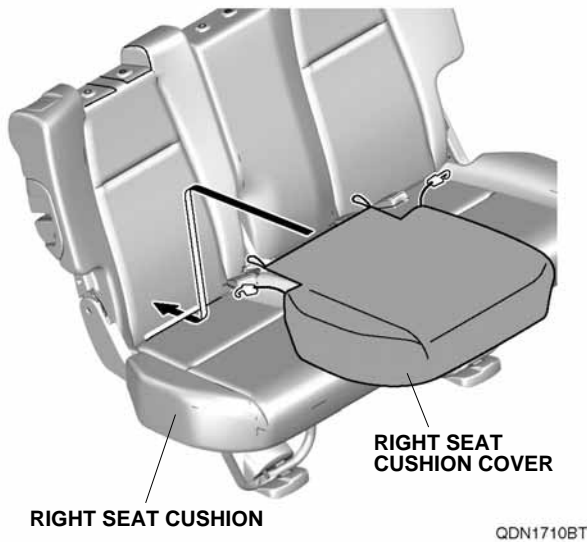


15. Lift up the right seat cushion.

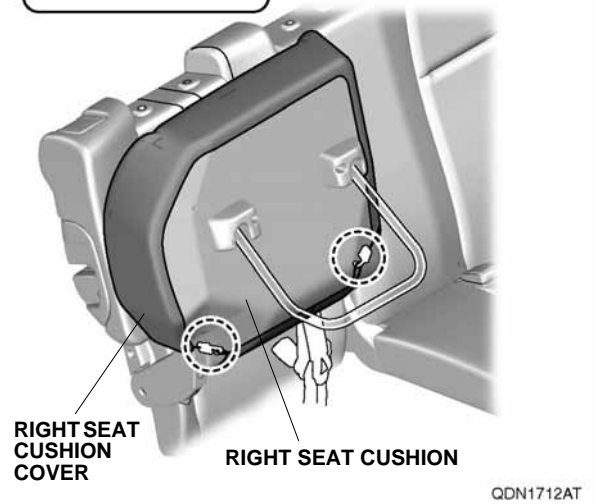
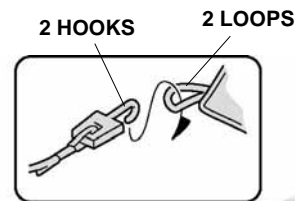


## Installing the Right Seat Cushion Cover

14. Install the right seat cushion cover over the right seat cushion.



16. Secure the right seat cushion cover to the right seat cushion with the two hooks and two loops, and lower the right seat cushion.



17. Install the head restraints on seat-backs.