



## INSTALLATION INSTRUCTIONS

Accessory  
**REAR BUMPER PROTECTOR**  
 P/N 08P01-T7S-100A

Application  
 2019 HR-V

Publications No.  
**VERSION 1**  
 Issue Date  
**JUL 2018**

### PARTS LIST

Rear bumper protector



Alcohol wipe



### TOOLS AND SUPPLIES REQUIRED

Masking tape

Felt-tip pen

Ruler

*The following tool is available through the Honda Tool and Equipment Program. On the iN, click on Service > Service Bay > Tool and Equipment Program, then enter the number under "Search." Or, call 888-424-6857.*

Rubber Roller (T/N MHLE54D)

### **Illustration of the Rear Bumper Protector on the Vehicle**



QH13106AN

### INSTALLATION

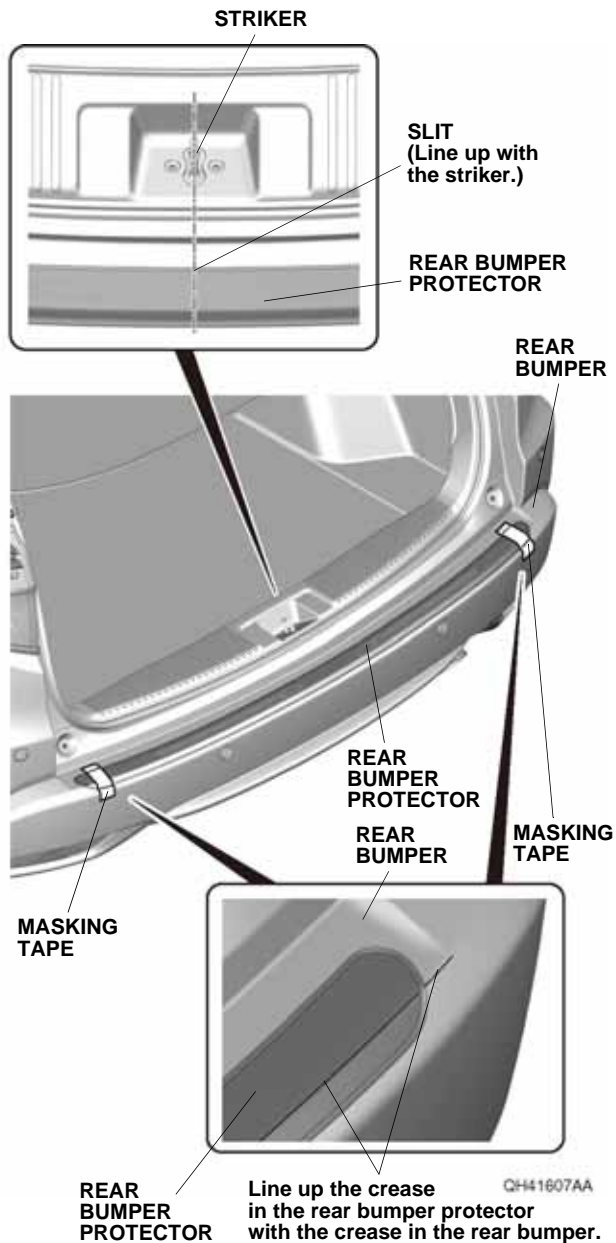
**Customer Information:** The information in this installation instruction is intended for use only by skilled technicians who have the proper tools, equipment, and training to correctly and safely add equipment to your vehicle. These procedures should not be attempted by "do-it-yourselfers."

#### NOTE:

- Be careful not to damage the body paint finish.
- This kit should be installed only if the ambient air temperature is 60°F (15°C) or above.
- To allow the adhesive to cure, do not wash the vehicle for 24 hours. Make sure the customer is aware of this.

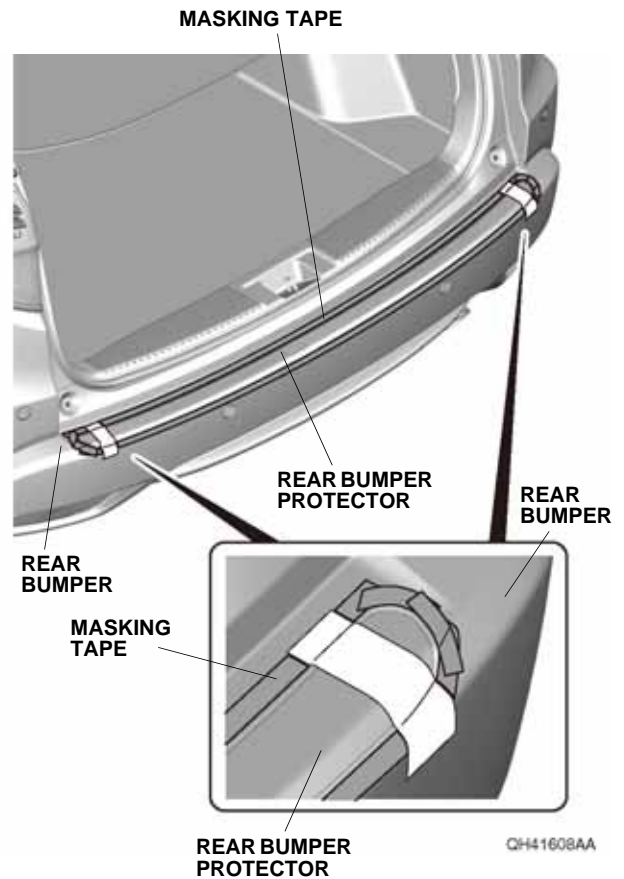
## Installing the Rear Bumper Protector

1. Open the tailgate. Position the rear bumper protector on the rear bumper, and line up the slit in the molding with the center of the striker.



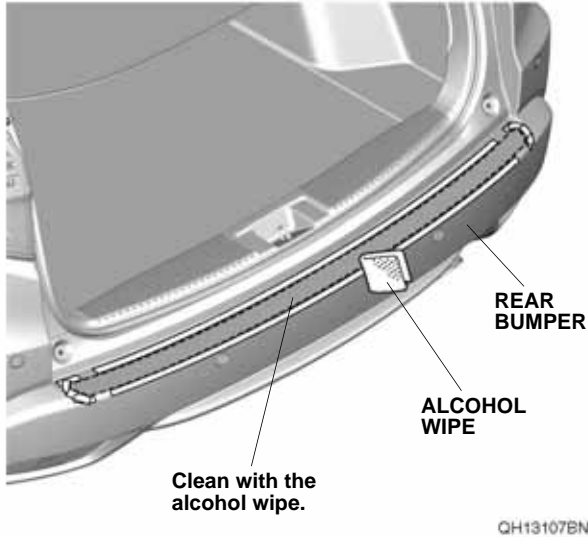
2. On the right side of the rear bumper protector, line up the crease in the bumper protector with the crease in the bumper. Then, secure the rear bumper protector to the rear bumper with masking tape, and repeat this on the left side.

3. Attach masking tape along the rear bumper protector as shown.

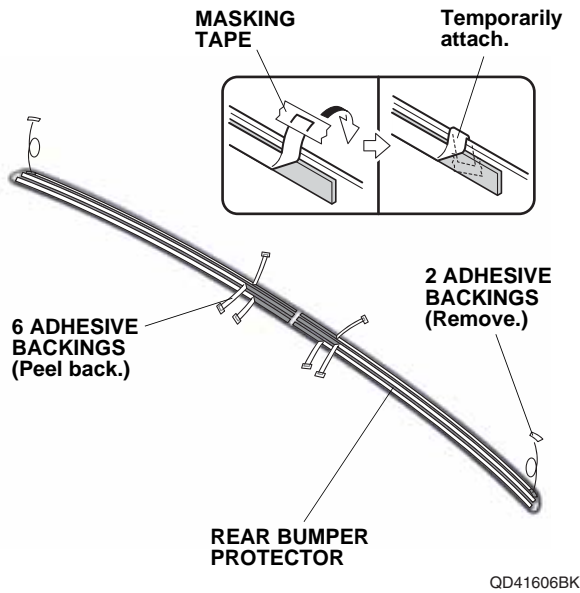


4. Remove the rear bumper protector from the rear bumper.

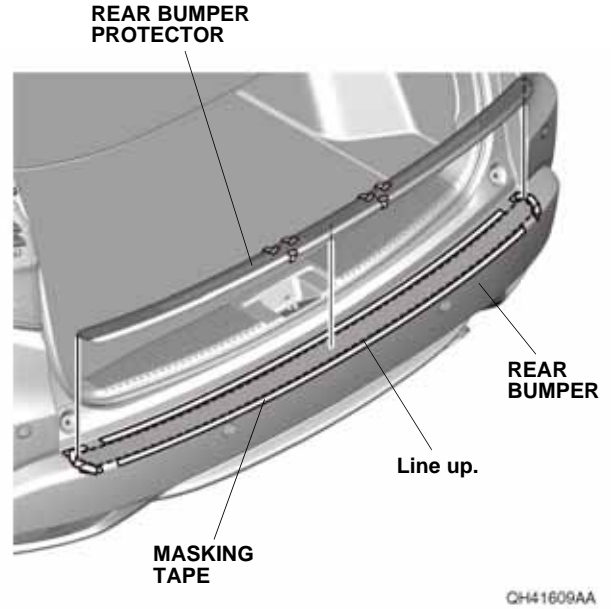
5. Using the alcohol wipe, thoroughly clean the rear bumper where the rear bumper protector will attach.



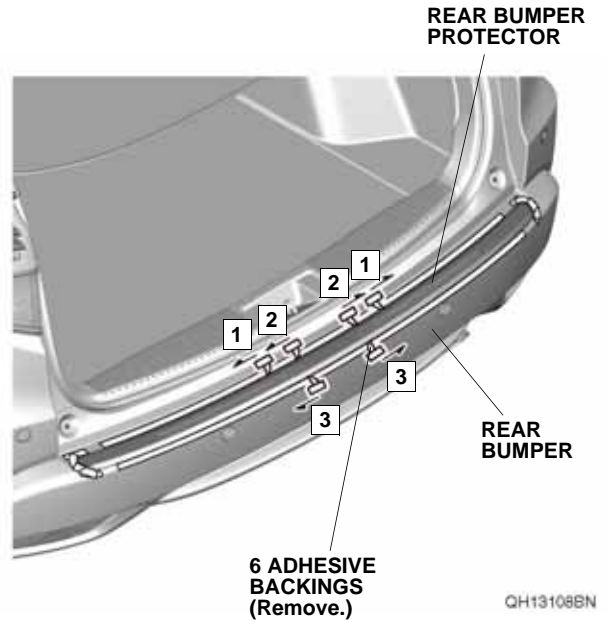
6. Peel back the adhesive backings, and tape them to the front surface of the rear bumper protector with masking tape. Remove the remaining adhesive backings.



7. Line up the rear bumper protector as shown.

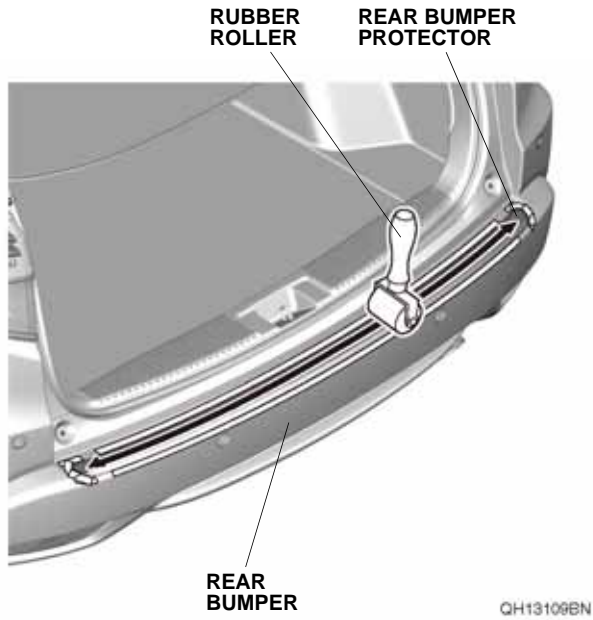


8. While applying light pressure to the rear bumper protector, carefully remove the taped adhesive backings as shown.



- Using a rubber roller, apply firm pressure against the rear bumper protector, and roll from one end to the other.

NOTE: Apply firm pressure especially at the ends.



- Remove the masking tape from the rear bumper.