



INSTALLATION INSTRUCTIONS

Accessory

DOOR VISORS
P/N 08R04-T7S-100

Application

2019 HR-V

Publications No.

VERSION 1

Issue Date

JUL 2018

PARTS LIST

Left front door visor



Right front door visor



Left rear door visor



Right rear door visor



4 Brackets A
(Identification mark: T7AA)



4 Brackets B
(Identification mark: T7AB)



8 Clips



TOOLS AND SUPPLIES REQUIRED

- Isopropyl alcohol
- Shop towel
- Masking tape
- Ruler
- Soft towel

INSTALLATION

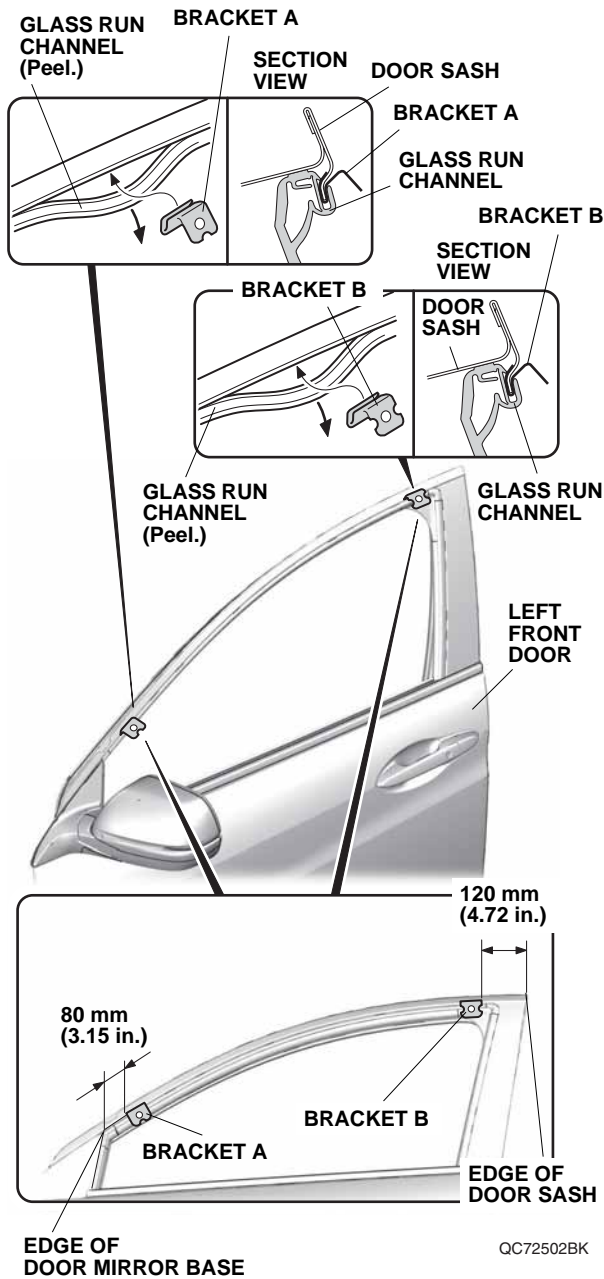
Customer Information: The information in this installation instruction is intended for use only by skilled technicians who have the proper tools, equipment, and training to correctly and safely add equipment to your vehicle. These procedures should not be attempted by “do-it-yourselfers.”

NOTE:

- Visors may not be legal in all states. Please check the laws of your state.
- These instructions show the left door visors being installed. The same procedure applies to installing the right door visors.
- Be careful not to damage the paint finish and glass run channels when installing the door visors.
- Handle the door visors with care. They are not designed to absorb shock or impact.
- This kit should be installed only if the ambient air temperature is 15°C (60°F) or above.
- To allow the adhesive to cure, do not wash the vehicle for 24 hours. Make sure your customer is aware of this.

Installing the Front Door Visors

1. Fully open the left front door glass.

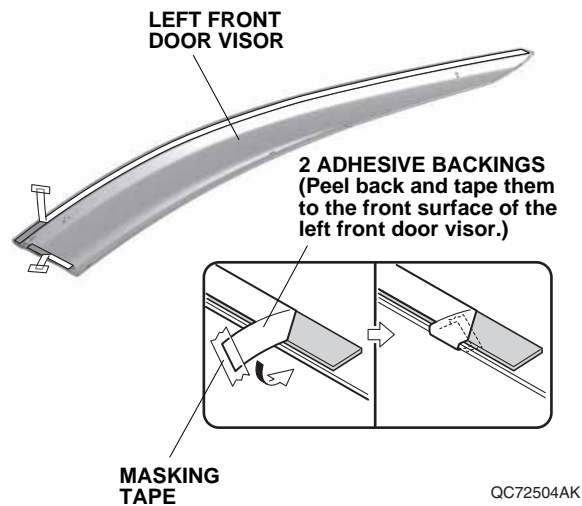


2. Peel back the glass run channel in the areas shown.
3. Install the brackets A and B between the door sash and the glass run channel at the measurements shown. Seat the glass run channel properly around the brackets.

4. Using isopropyl alcohol on a shop towel, thoroughly clean the area where the left front door visor will attach.

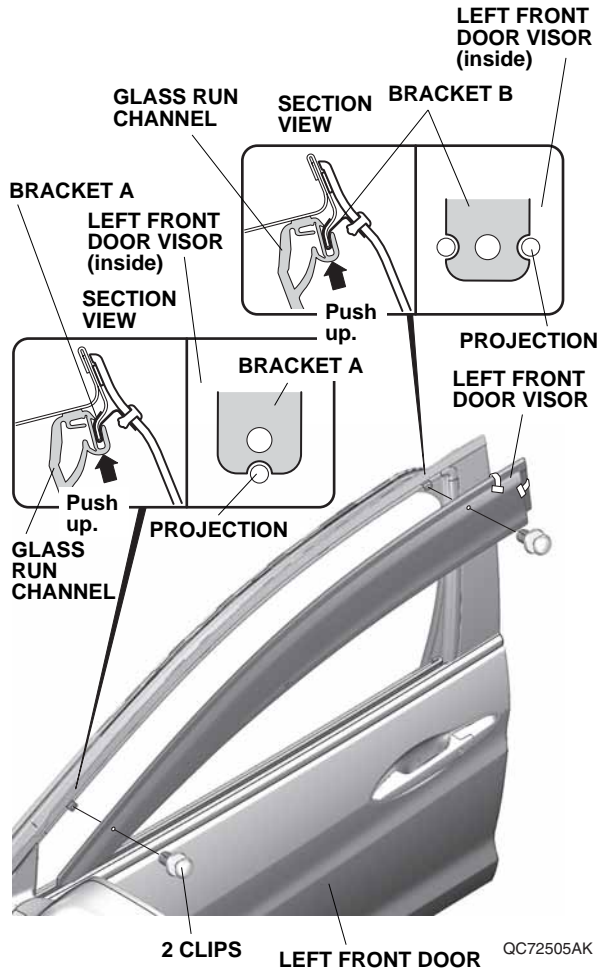


5. Peel back the adhesive backings from each adhesive tape, and tape the ends to the front surface of the left front door visor with masking tape.

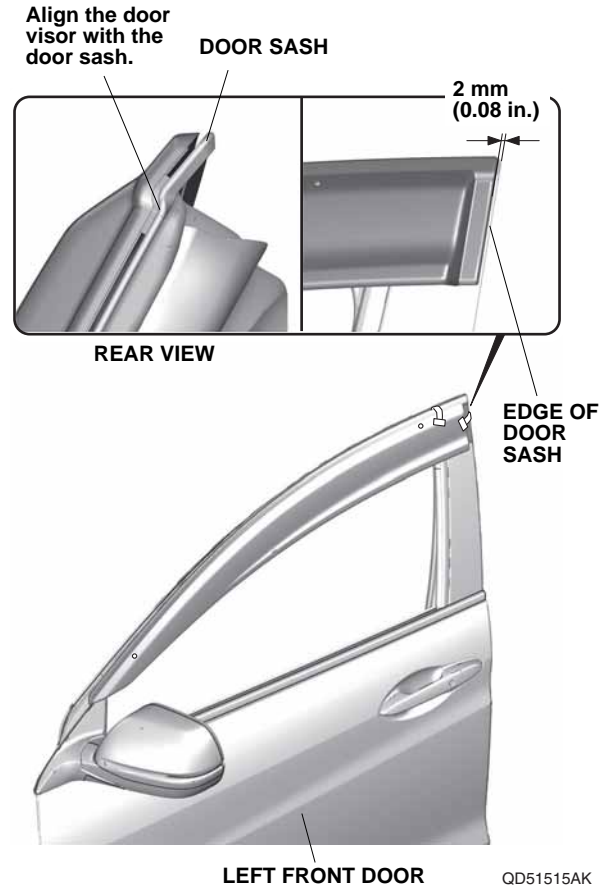


6. Align the clip holes in the left front door visor with the bracket holes, and install the clip while pushing up on each bracket. There should be no gap between the bracket and the door sash.

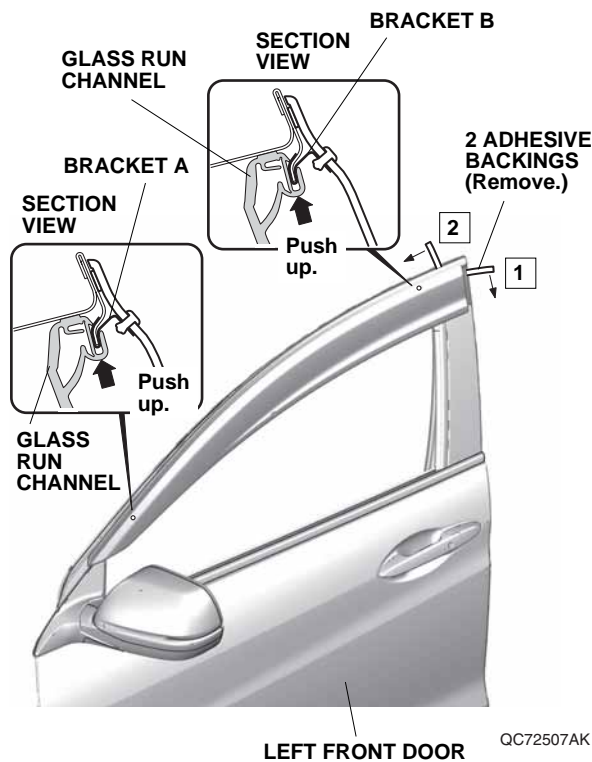
NOTE: Be extremely careful when installing the clips, they cannot be reinstalled after installation.



7. Align the left front door visor to the position shown.



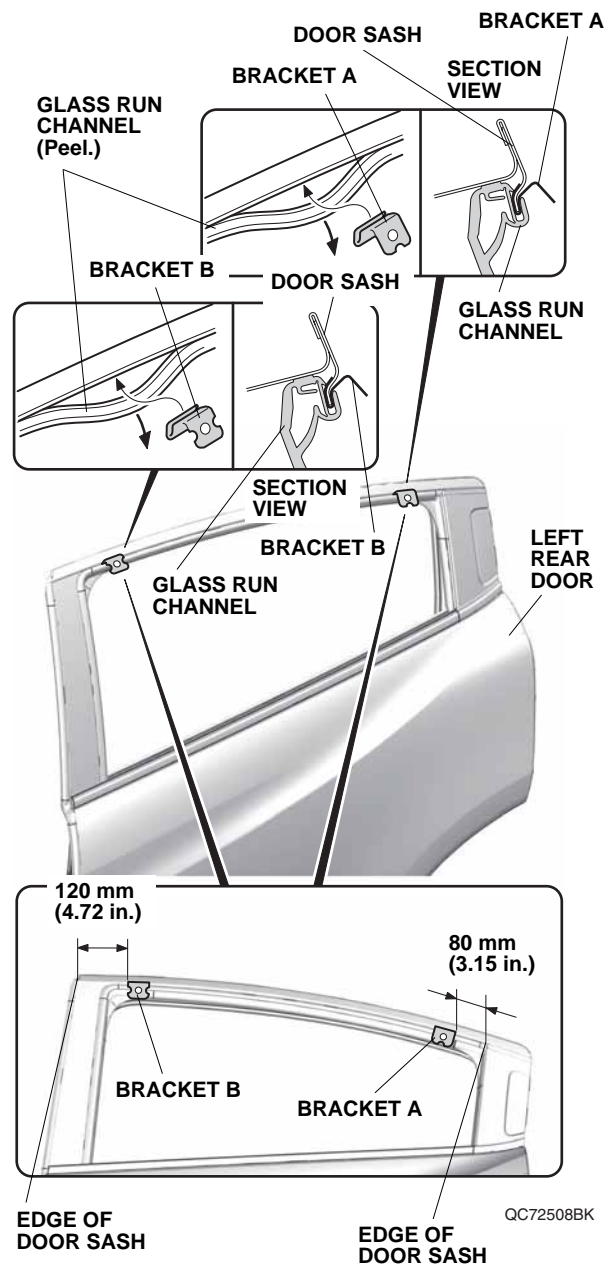
- While applying light pressure against the left front door visor, carefully remove the adhesive backings in the order shown. Use your finger to push up each bracket so there is no gap between the bracket and the door sash.



- Using a soft towel, press and hold the left front door visor against the door sash for 30 seconds.

Installing the Rear Door Visors

- Fully open the left rear door glass.



- Peel back the glass run channel in the areas shown.
- Install the brackets A and B between the door sash and the glass run channel at the measurements shown. Seat the glass run channel properly around the brackets.

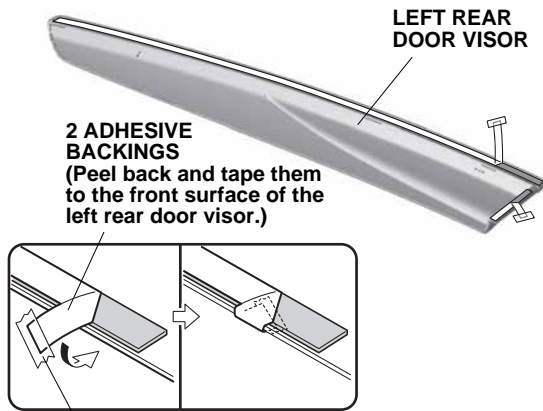
13. Using isopropyl alcohol on a shop towel, thoroughly clean the area where the left rear door visor will attach.

Clean with isopropyl alcohol.



LEFT REAR DOOR QC72509AK

14. Peel back the adhesive backings from each adhesive tape, and tape the ends to the front surface of the left rear door visor with masking tape.



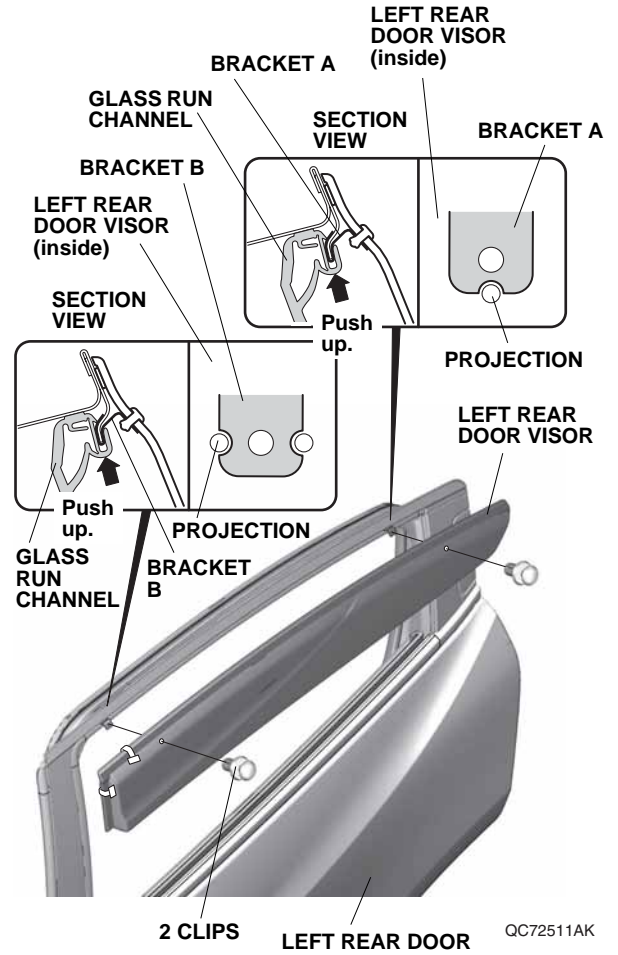
2 ADHESIVE BACKINGS
(Peel back and tape them to the front surface of the left rear door visor.)

MASKING TAPE

QC72510AK

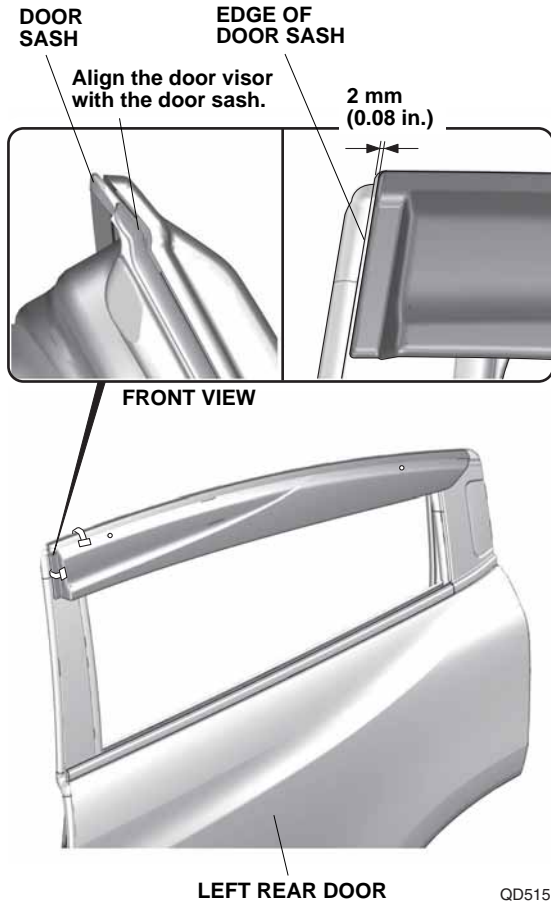
15. Align the clip holes in the left rear door visor with the bracket holes, and install the clip while pushing up on each bracket. There should be no gap between the bracket and the door sash.

NOTE: Be extremely careful when installing the clips, they cannot be reinstalled after installation.

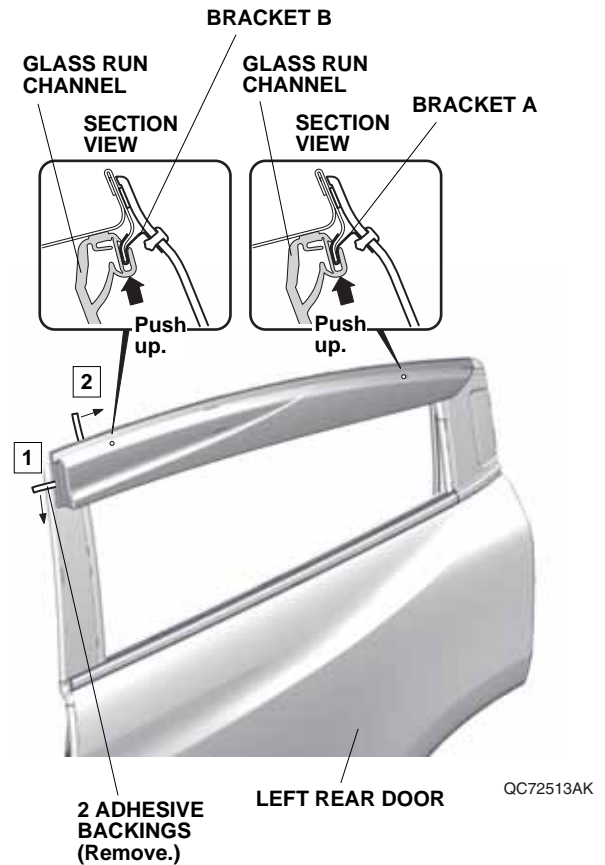


QC72511AK

16. Align the left rear door visor to the position shown.



17. While applying light pressure against the left rear door visor, carefully remove the adhesive backings in the order shown. Use your finger to push up each bracket so there is no gap between the bracket and the door sash.



18. Using a soft towel, press and hold the left rear door visor against the door sash for 30 seconds.
19. Repeat steps 1 through 18 to install the door visors on the right side of the vehicle.

CONFIRMATION AFTER INSTALLATION

Restoration and Learning Operations

1. Start the engine.
2. Using the power window switch, repeat opening and close the window from half-open to fully closed 10 times to allow the glass run channel to wear in. (The window should not bind.)
3. If necessary refer to the Service Manual to reset the power window. (If the automatic closing/opening does not function after the reset, reset again.)
4. If necessary refer to the Service Manual to carry out "learning" of the power window. (If the automatic closing/opening does not function after the learning, carry out "learning" again.)

NOTE: The operations in the steps 3 and 4 should be done to all power windows having the automatic closing/opening function to allow for proper functioning of the auto-reverse function after installing the door visors.

USE AND CARE

Clean the door visors with mild detergent and water. Do not use organic solvents (thinners, benzine, alcohol, etc.) or cleaners containing any abrasive material.