



## INSTALLATION INSTRUCTIONS

Accessory  
ILLUMINATED DOOR  
SILL TRIM  
P/N 08E12-T7S-100

Application  
2017 HR-V

Publications No.  
**VERSION 1**  
Issue Date  
**SEP 2016**

### PARTS LIST

Left front illuminated door sill trim



Right front illuminated door sill trim



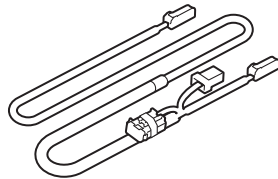
Left rear door sill trim  
(Identification mark: L)



Right rear door sill trim  
(Identification mark: R)



Door sill trim harness



Fuse label



20 Wire ties



Protective tape



2 Protective clips



2 Alcohol swabs



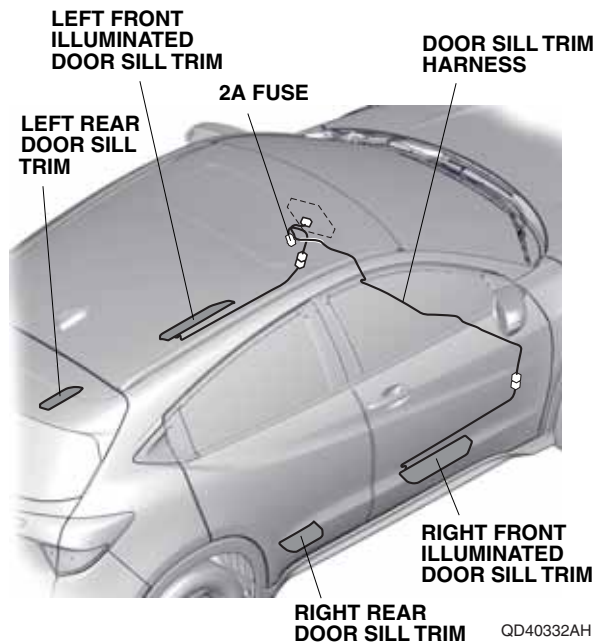
## TOOLS AND SUPPLIES REQUIRED

Phillips screwdriver  
10 mm Open end wrench  
Ruler  
Masking tape  
Tape  
Felt-tip pen  
Scissors  
Utility knife  
Needle nose pliers  
Diagonal cutters  
Isopropyl alcohol  
Shop towel

The following tools are available through the Honda Tool and Equipment Program. On the iN, click on: Service > Service Bay > Tool and Equipment Program, then enter the number under "Search". Or, call 888-424-6857.

- Trim Tool Set (T/N SOJATP2014)
- Plastic Trim Tool (T/N SILTRIMTL10)

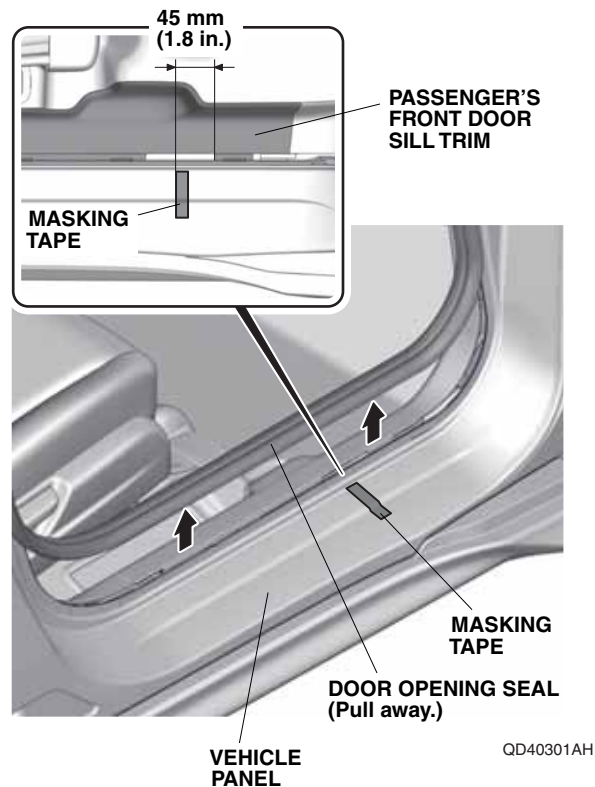
## Illustration of the Illuminated Door Sill Trim in the Vehicle



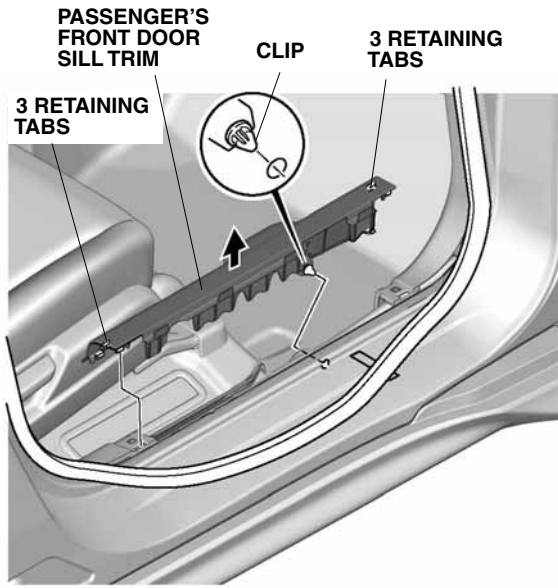
## INSTALLATION

**Customer Information:** The information in this installation instruction is intended for use only by skilled technicians who have the proper tools, equipment, and training to correctly and safely add equipment to your vehicle. These procedures should not be attempted by "do-it-yourselfers."

1. Disconnect the negative cable from the battery, then wait at least three minutes before starting work.
2. Pull away the door opening seal, and attach masking tape to the vehicle panel at the measurement shown.

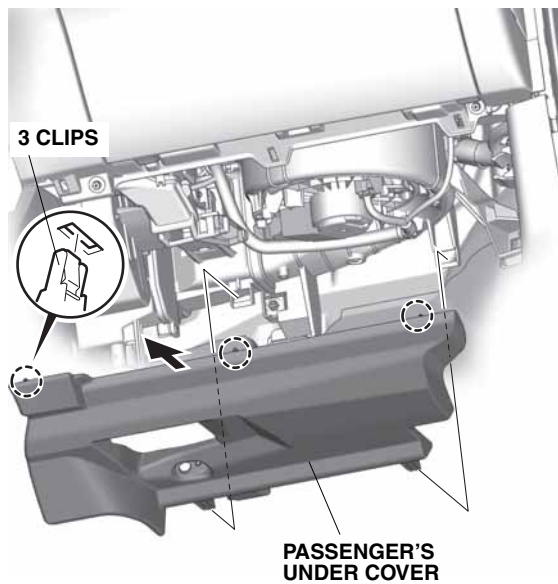


3. Remove the passenger's front door sill trim.



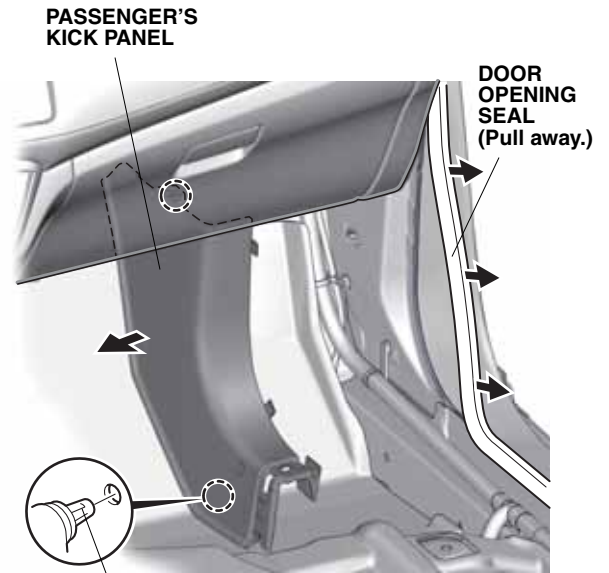
QD02163AH

4. Remove the passenger's under cover.



QD40852AH

5. Pull away the door opening seal, and remove the passenger's kick panel.

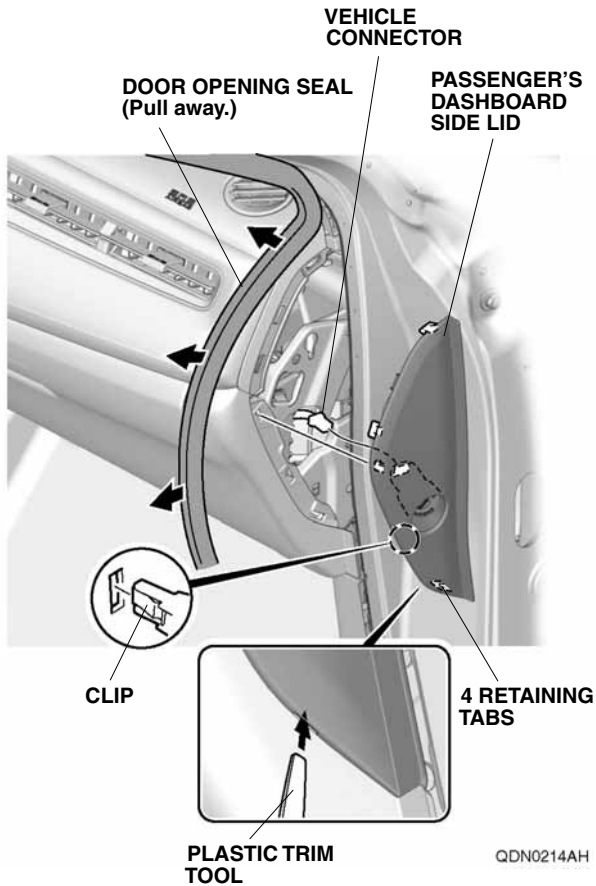


QD40303AH

- If the vehicle is equipped with a front passenger's airbag ON/OFF switch, continue with step 6. If not, go to step 7.

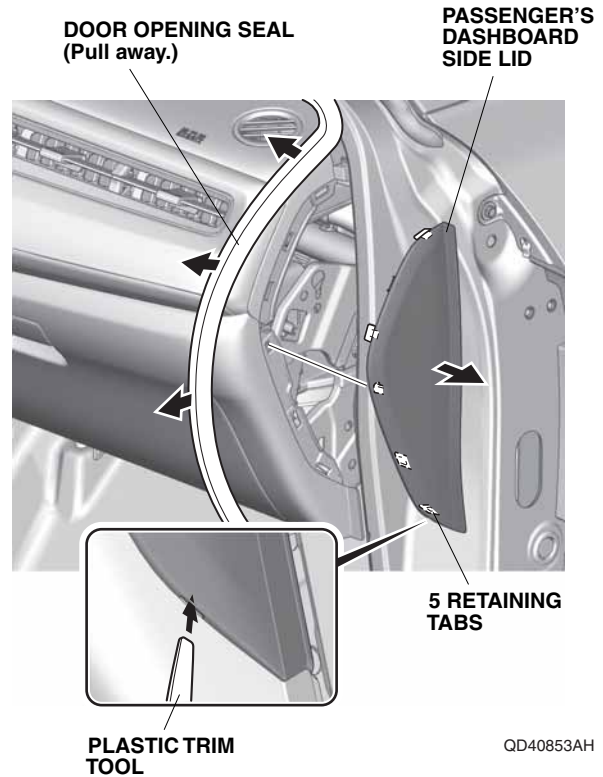
## With front passenger's airbag ON/OFF switch

6. Pull away the door opening seal, and remove the passenger's dashboard side lid, and unplug the vehicle connector.  
Go to step 8.

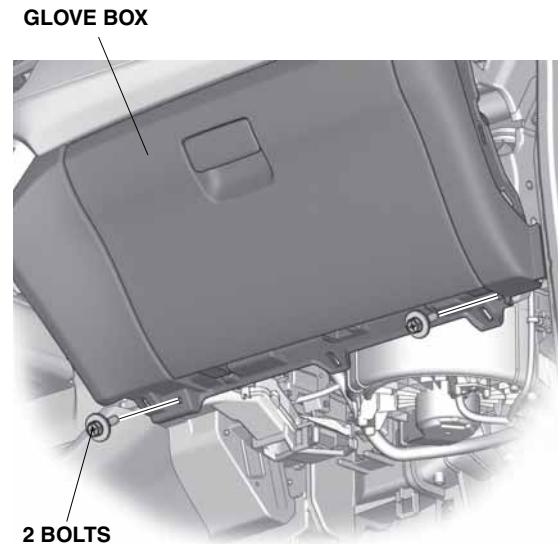


## Without front passenger's airbag ON/OFF switch

7. Pull away the door opening seal, and remove the passenger's dashboard side lid.

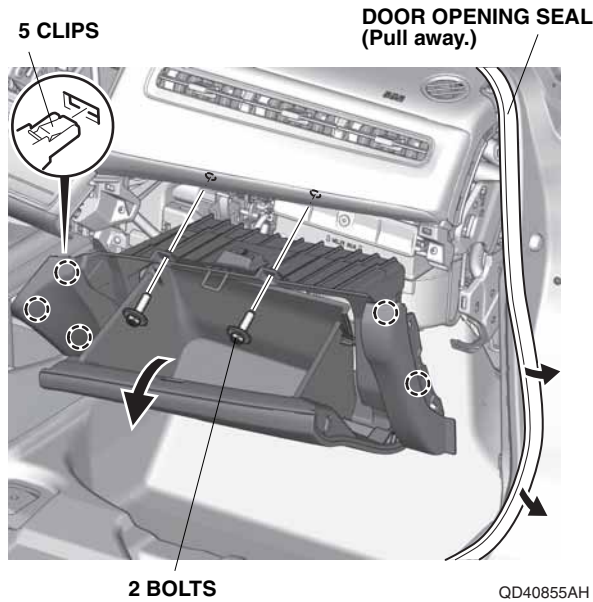


8. Remove the two bolts from the glove box.

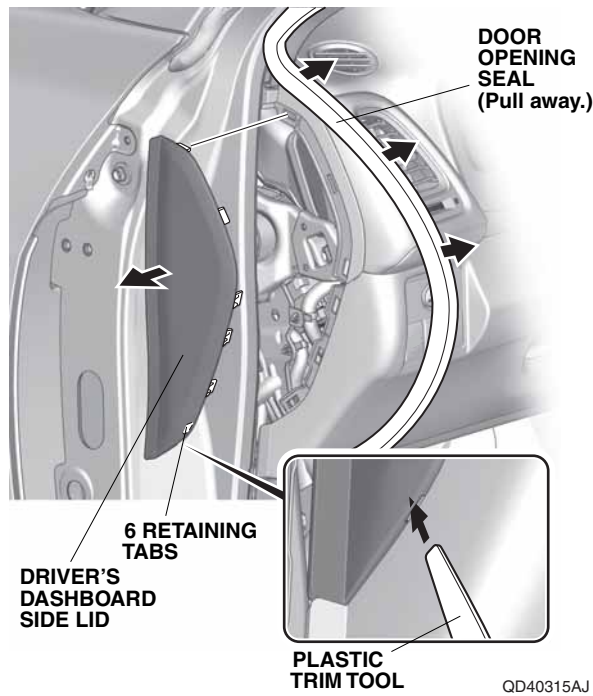


QD40854AH

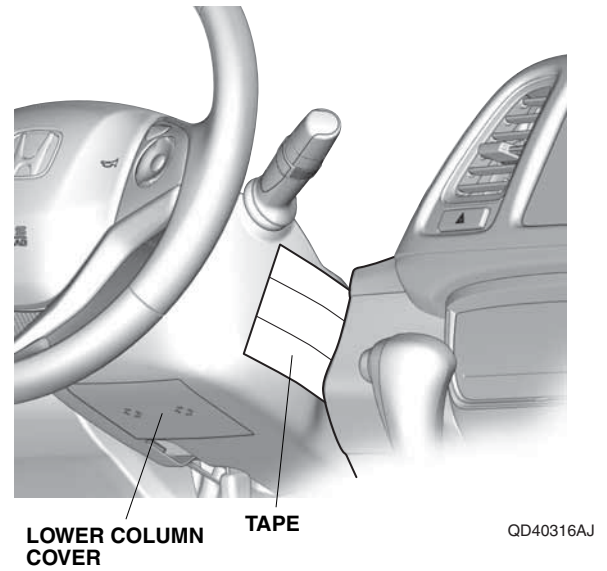
9. Pull away the door opening seal. Open and remove the glove box.



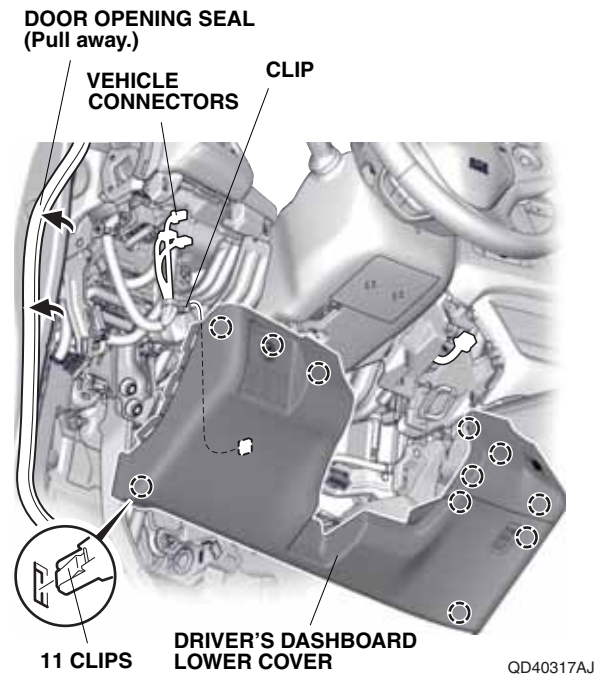
10. Pull away the door opening seal, and remove the driver's dashboard side lid.



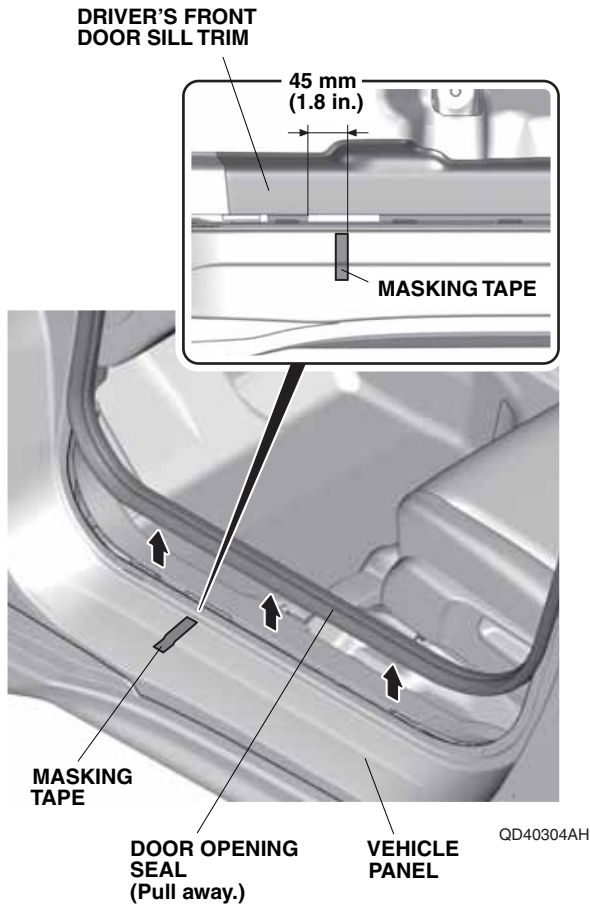
11. Attach the tape to the lower column cover.



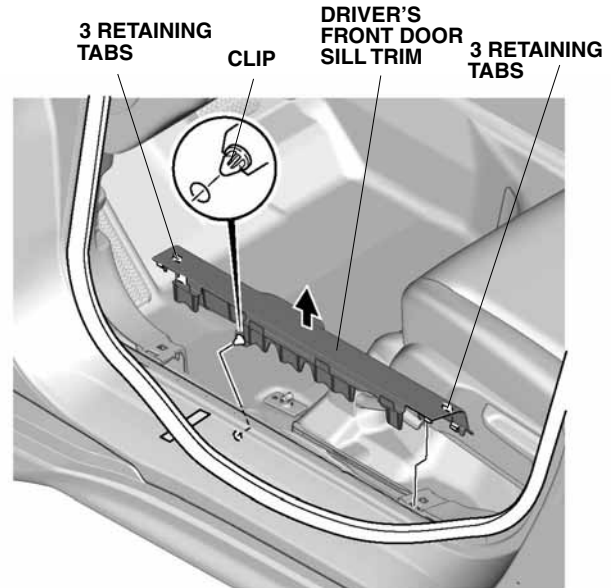
12. Pull away the door opening seal, and remove the driver's dashboard lower cover and unplug the vehicle connectors.



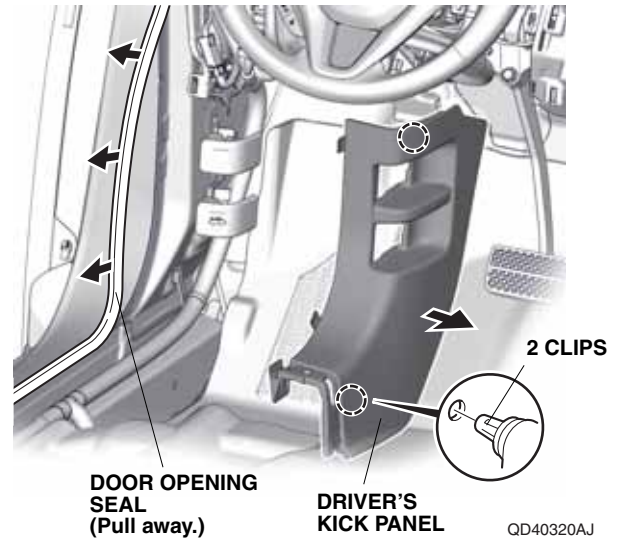
13. Pull away the door opening seal, and attach masking tape to the vehicle panel at the measurement shown.



14. Remove the driver's front door sill trim.



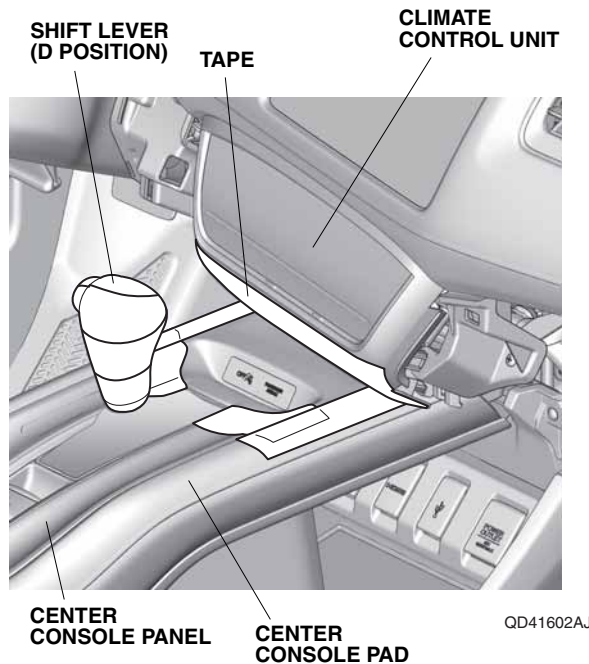
15. Pull away the door opening seal, and remove the driver's kick panel.



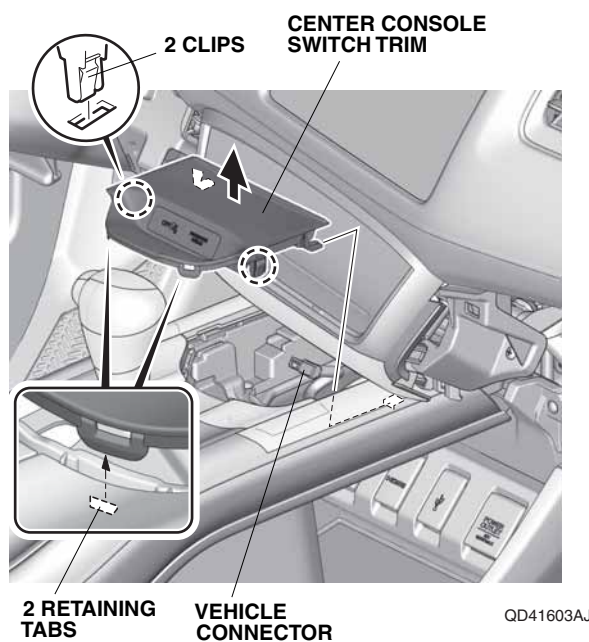
- If the vehicle is equipped with automatic climate control, continue with step 16. If not, go to step 19.

## With automatic climate control

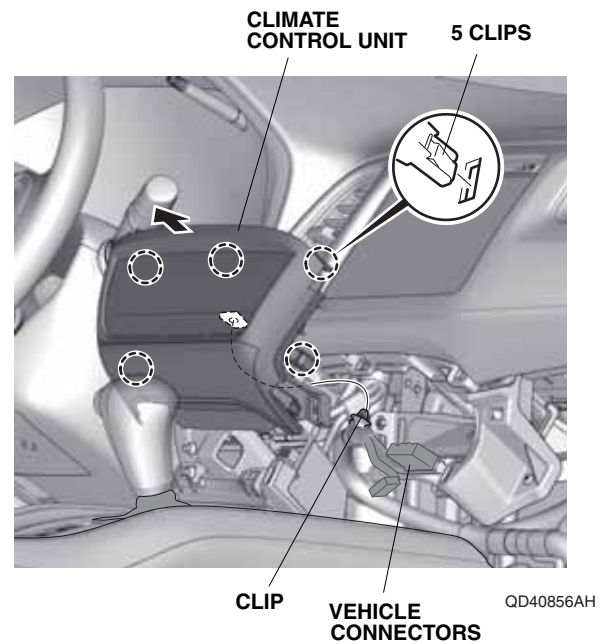
16. Apply tape to the climate control unit, center console panel, center console pad, and shift lever as shown. Shift the shift lever to D.



17. Remove the center console switch trim and unplug the vehicle connector.

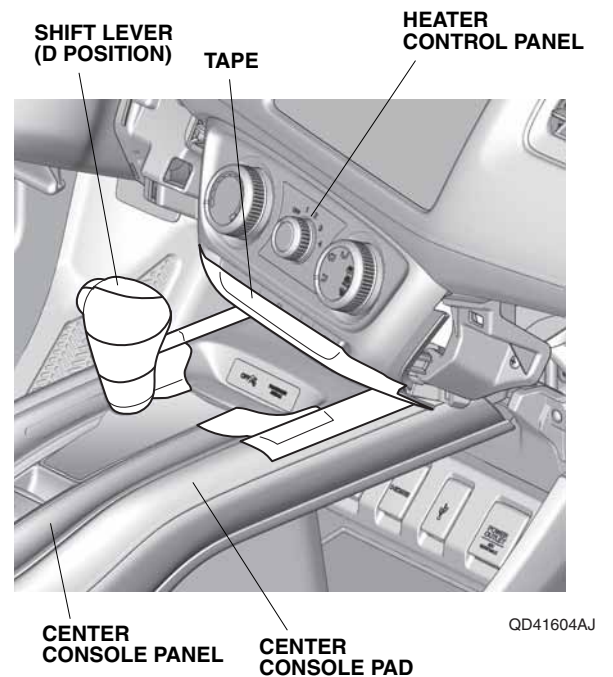


18. Remove the climate control unit and unplug the vehicle connectors. Go to step 24.

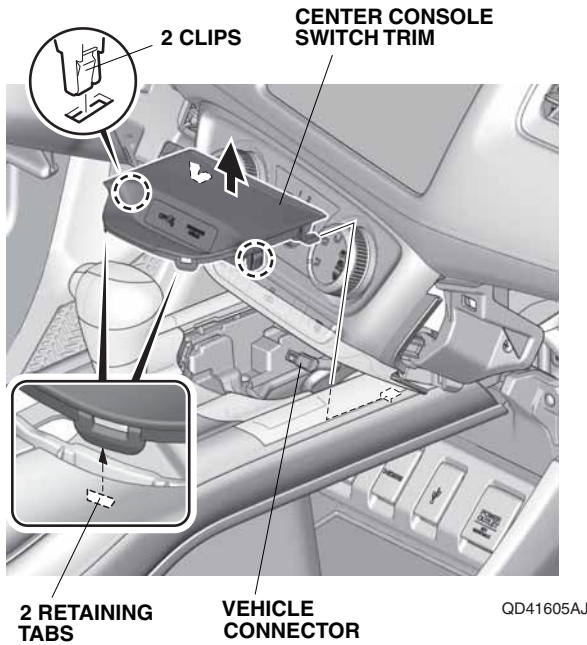


## With manual climate control

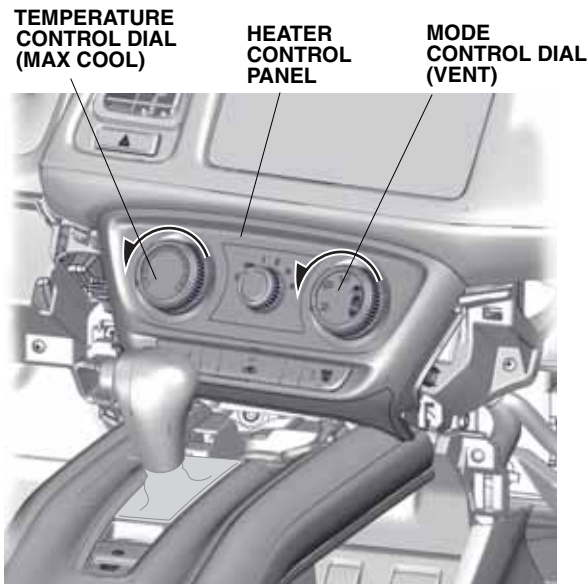
19. Apply tape to the heater control panel, center console panel, center console pad, and shift lever as shown. Shift the shift lever to D.



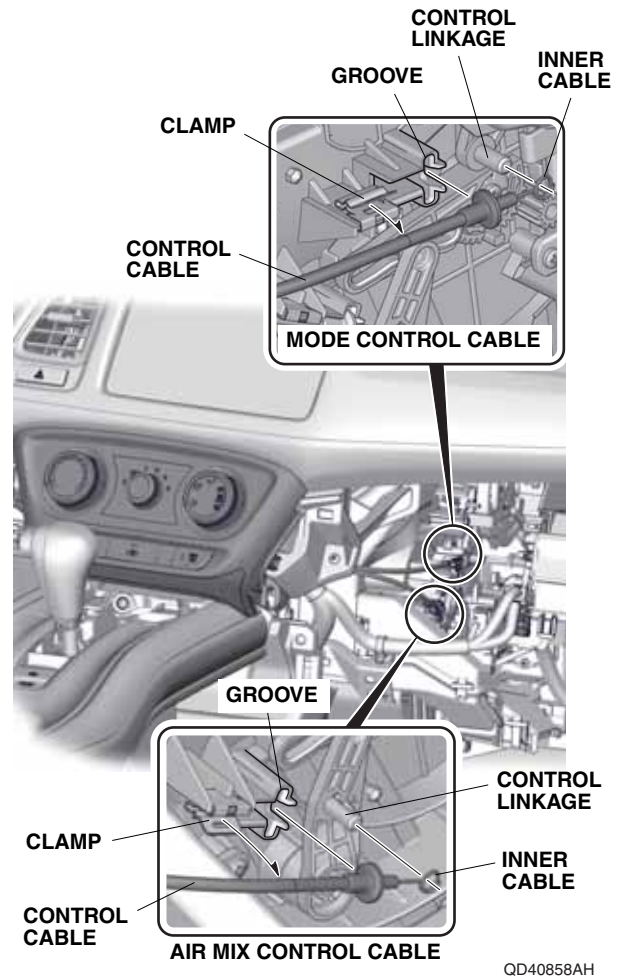
20. Remove the center console switch trim and unplug the vehicle connector.



21. Set the mode control dial and the temperature control dial as shown.

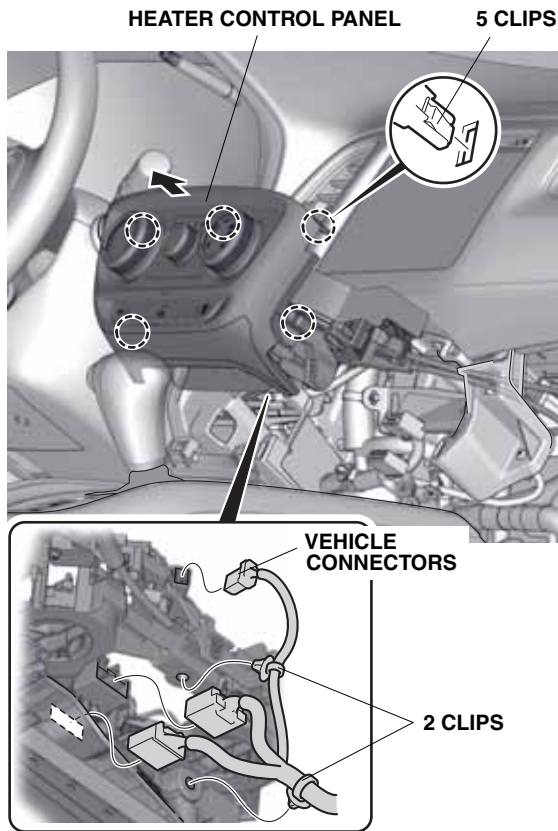


22. Remove the mode control cable and air mix control cable:
- Remove the control cable from the clamp and the groove.
  - Remove the inner cable from the control linkage.



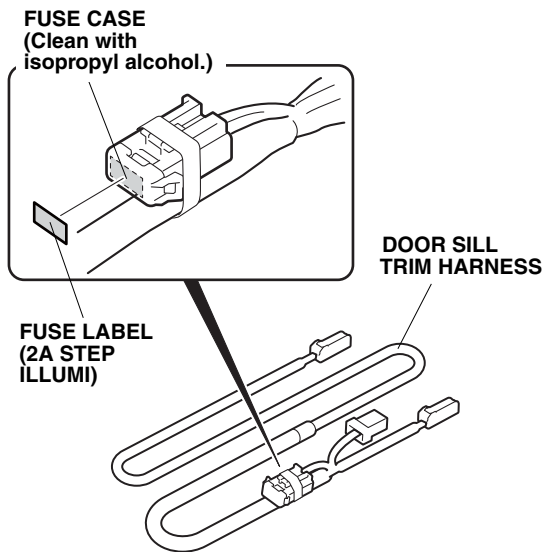


23. Remove the heater control panel and unplug the vehicle connectors.



QD40859AH

24. Using isopropyl alcohol on a shop towel, clean the fuse case where the fuse label will attach.

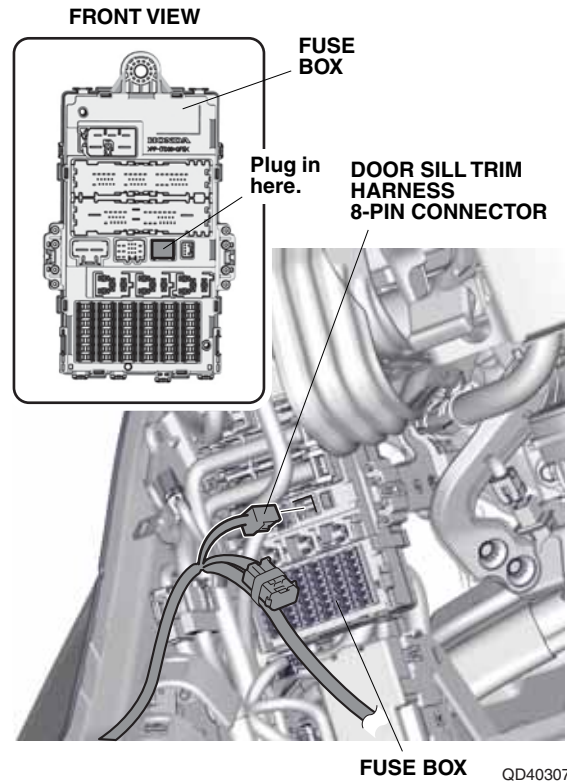


QD40306AH

25. Attach the fuse label to the door sill trim harness fuse case.

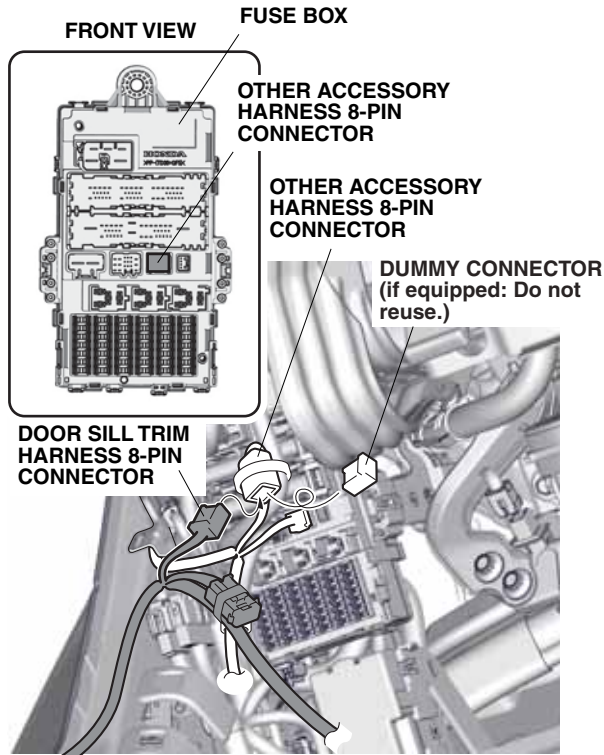
## Without Other Accessory Harness 8-pin Connector

26. Plug the door sill trim harness 8-pin connector into the fuse box. Go to step 28.



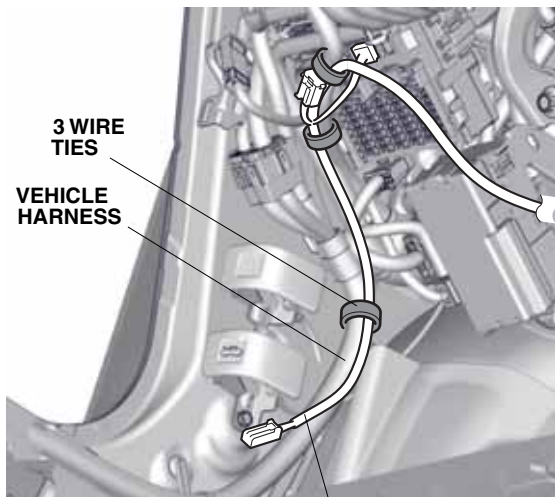
## With Other Accessory Harness 8-pin Connector

27. If another accessory harness 8-pin connector is plugged into the fuse box, remove and discard the dummy connector from other accessory harness 8-pin connector, and plug the door sill trim harness 8-pin connector into other accessory harness 8-pin connector.



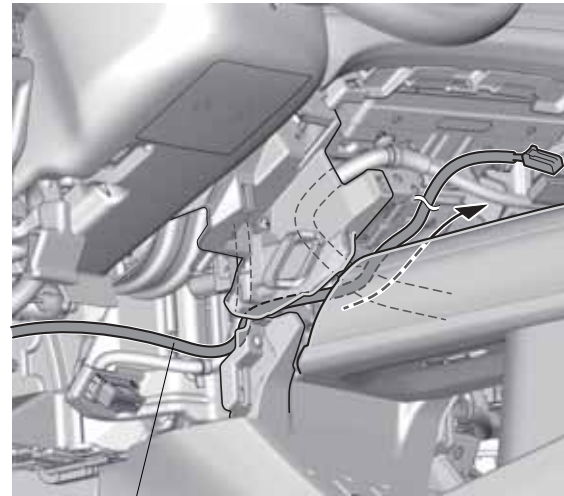
QD40308AH

28. Secure the door sill trim harness to the vehicle harness with three wire ties.



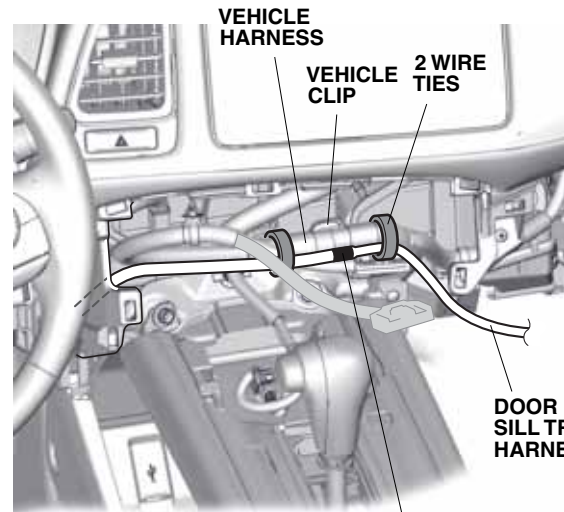
QD40309AH

29. Route the door sill trim harness as shown.



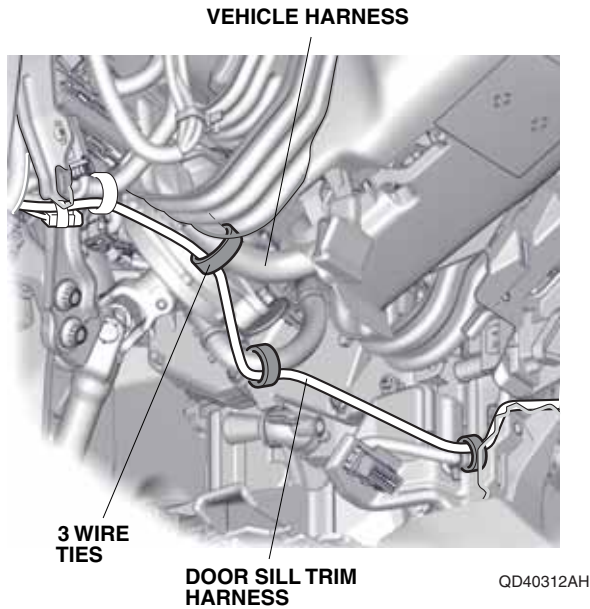
QD40310AH

30. Align the green tape on the door sill trim harness with the vehicle clip, and secure the door sill trim harness to the vehicle harness with two wire ties.

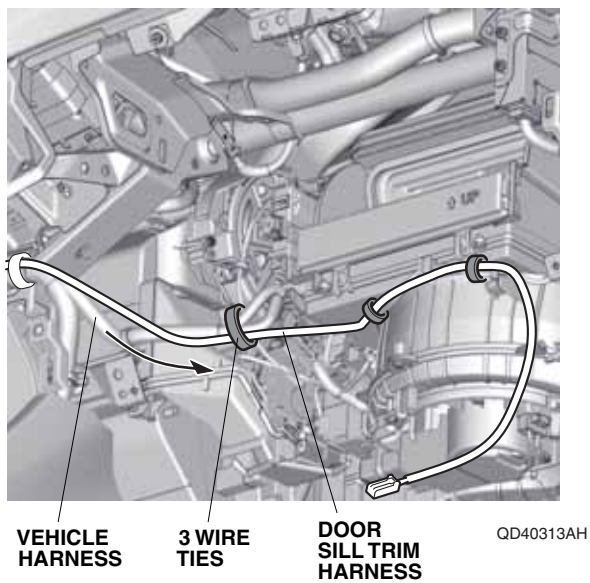


QD40311AH

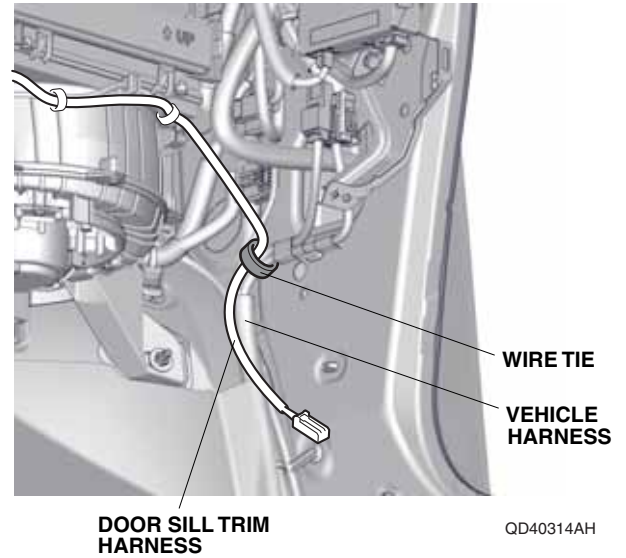
31. Secure the door sill trim harness to the vehicle harness with three wire ties.



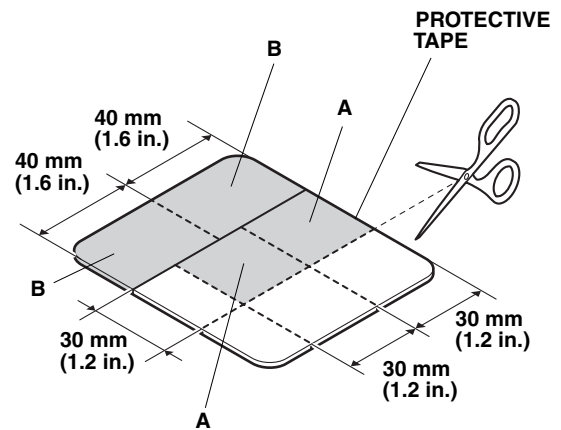
32. Route the door sill trim harness as shown. Secure the door sill trim harness to the vehicle harness with three wire ties.



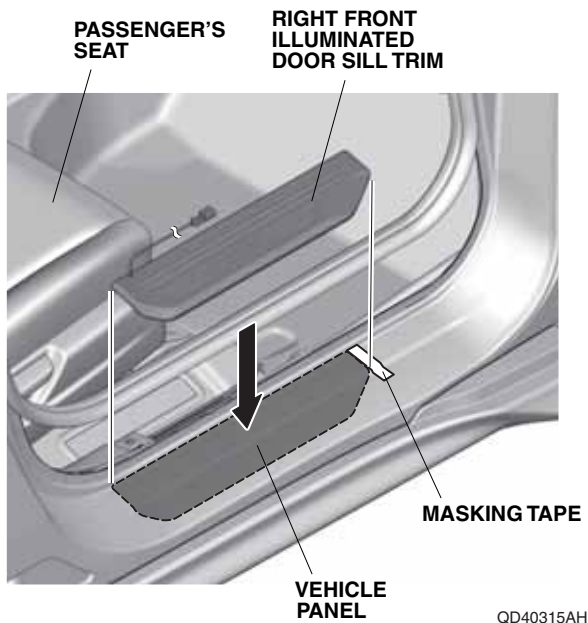
33. Secure the door sill trim harness to the vehicle harness with one wire tie.



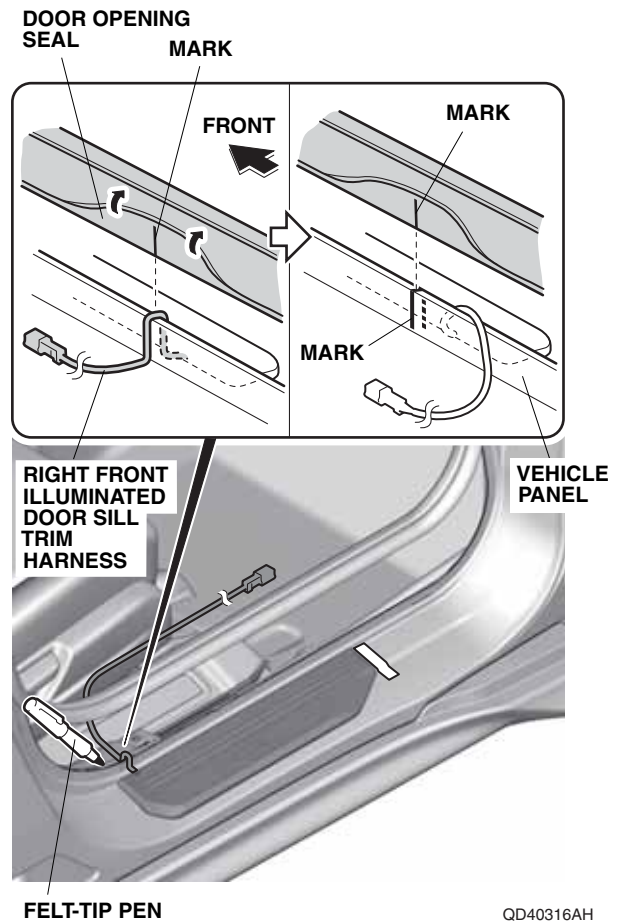
34. Using scissors, cut the protective tape at the measurements shown.



35. Position the right front illuminated door sill trim at the masking tape.

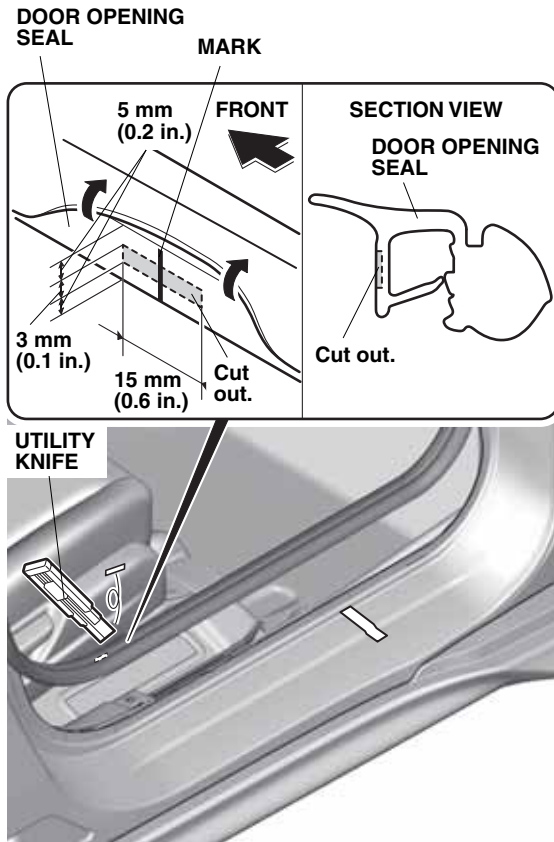


36. Using a felt-tip pen, mark the door opening seal and vehicle panel as shown.



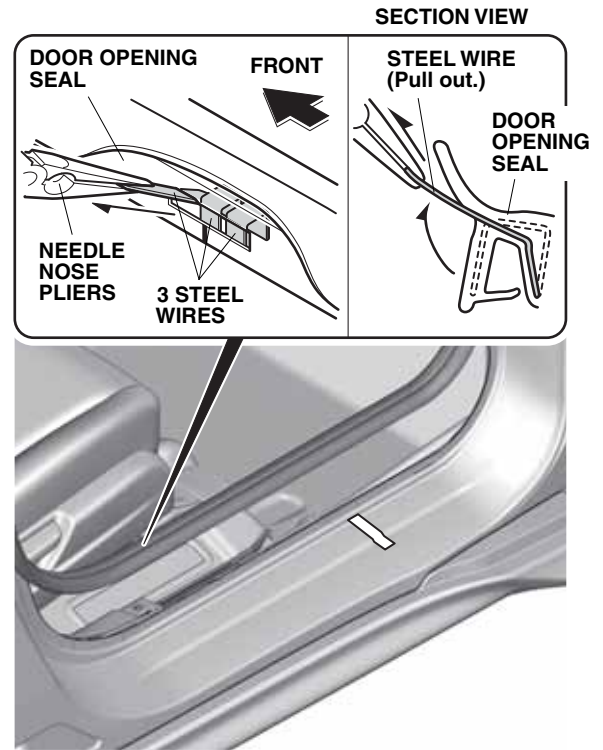
37. Remove the right front illuminated door sill trim.

38. Using a utility knife, cut out the door opening seal at the measurements shown.



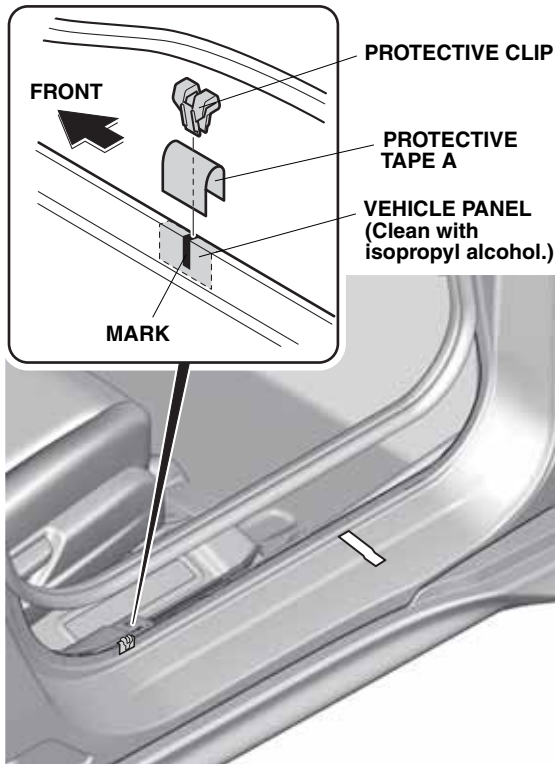
QD40317AH

39. Using needle nose pliers, remove three steel wires from the door opening seal.



QD40318AH

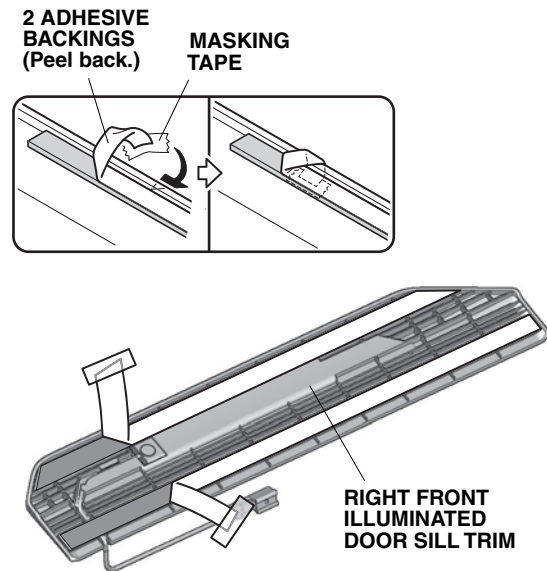
40. Using isopropyl alcohol on a shop towel, clean the vehicle panel where the protective tape will attach. Attach one piece of protective tape A to the vehicle panel.



QD40319AH

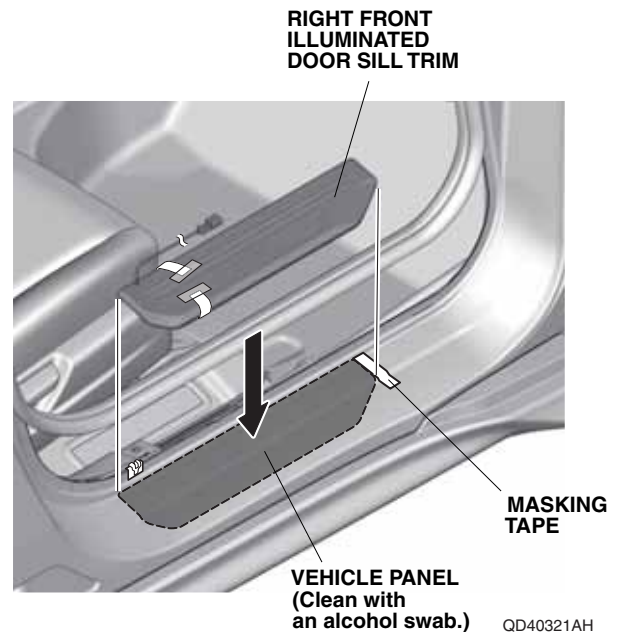
41. Install the protective clip to the protective tape A.

42. Peel back the ends of two adhesive backings on the right front illuminated door sill trim and attach them to the front of the trim with masking tape.



QD40320AH

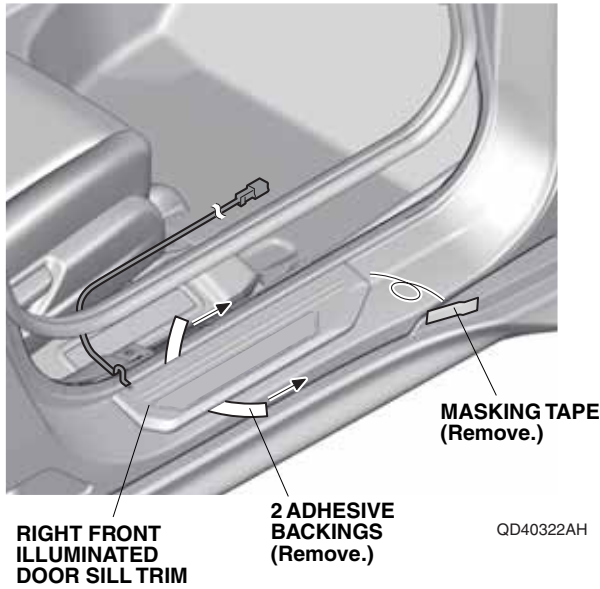
43. Using an alcohol swab, clean the vehicle panel where the right front illuminated door sill trim will attach.



QD40321AH

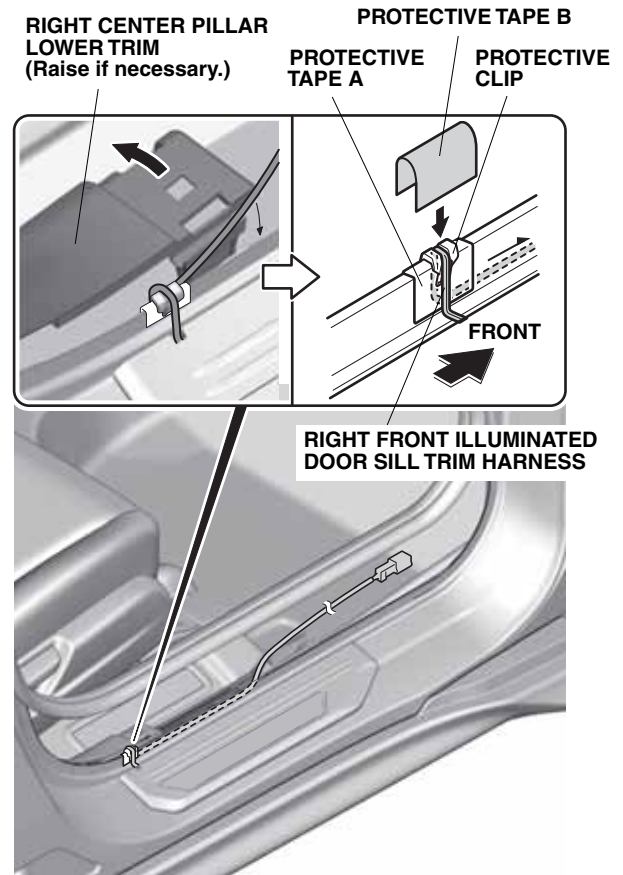
44. Position the right front illuminated door sill trim at the masking tape.

45. Attach the right front illuminated door sill trim to the vehicle panel by removing the two adhesive backings and pressing on the trim firmly with your hands.



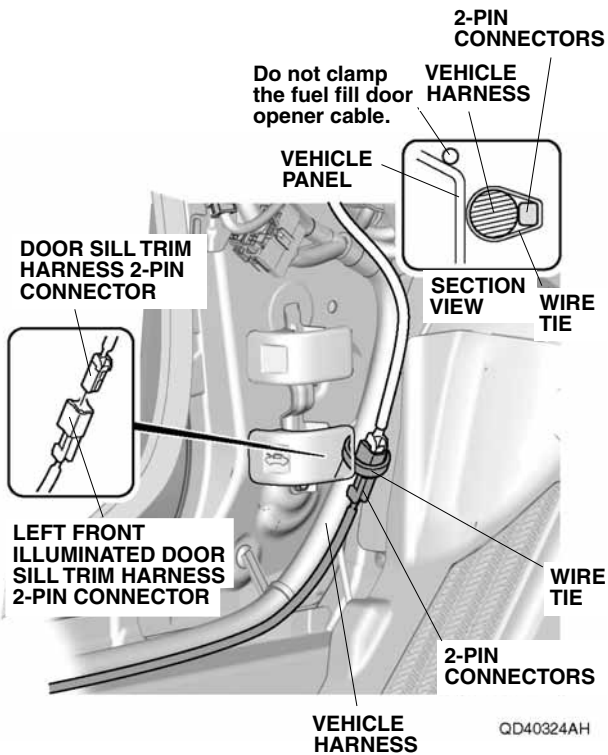
46. Remove the masking tape.

47. Route the right front illuminated door sill trim harness over the protective clip as shown.

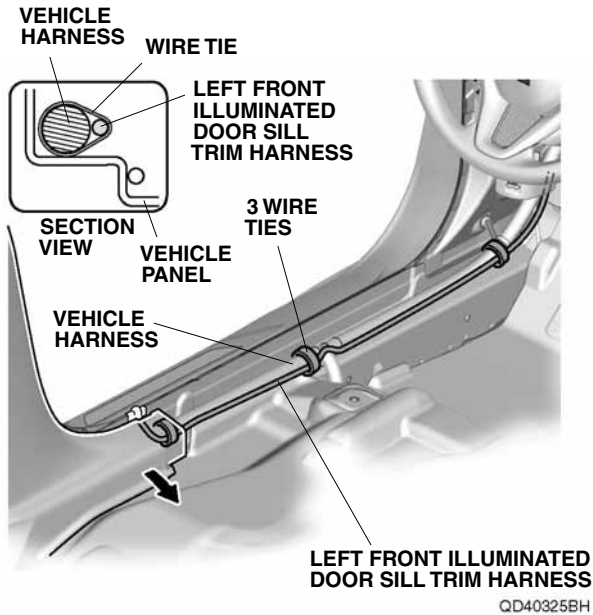


48. Attach the one piece of protective tape B to the protective clip.
49. Repeat steps 35 through 48 to install the left front illuminated door sill trim.

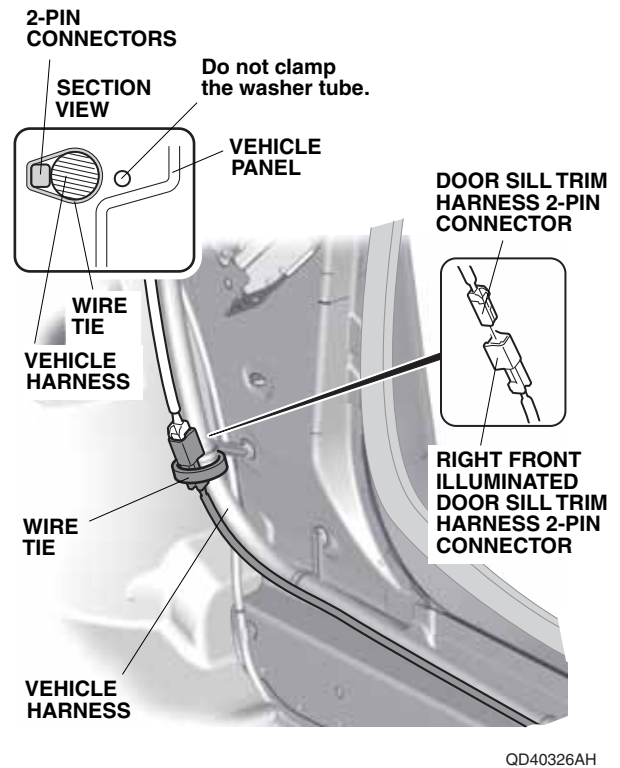
50. Plug the door sill trim harness 2-pin connector into the left front illuminated door sill trim harness 2-pin connector.



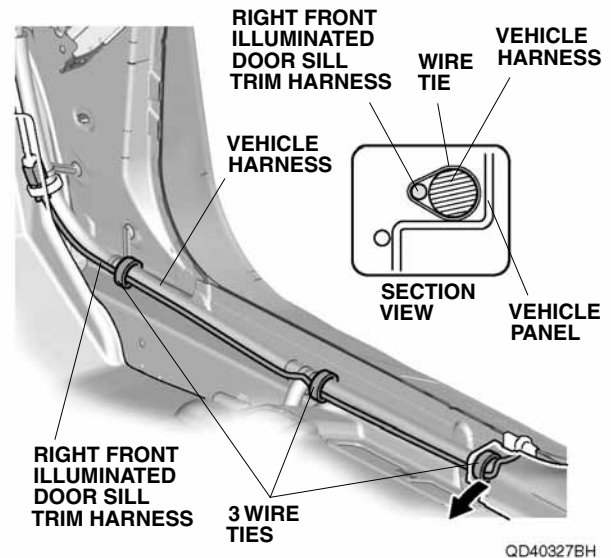
51. Secure the 2-pin connectors to the vehicle harness with one wire tie.
52. Secure the left front illuminated door sill trim harness to the vehicle harness with three wire ties.



53. Plug the door sill trim harness 2-pin connector into the right front illuminated door sill trim harness 2-pin connector.

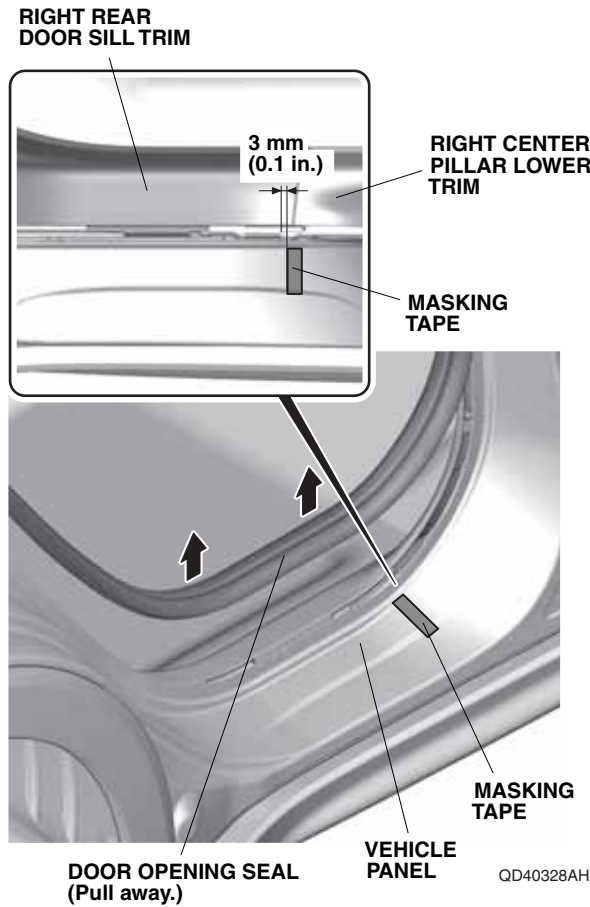


54. Secure the 2-pin connectors to the vehicle harness with one wire tie.
55. Secure the right front illuminated door sill trim harness to the vehicle harness with three wire ties.

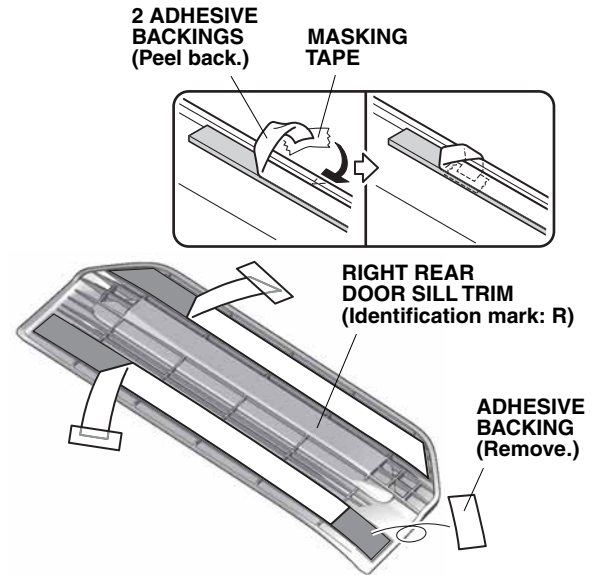




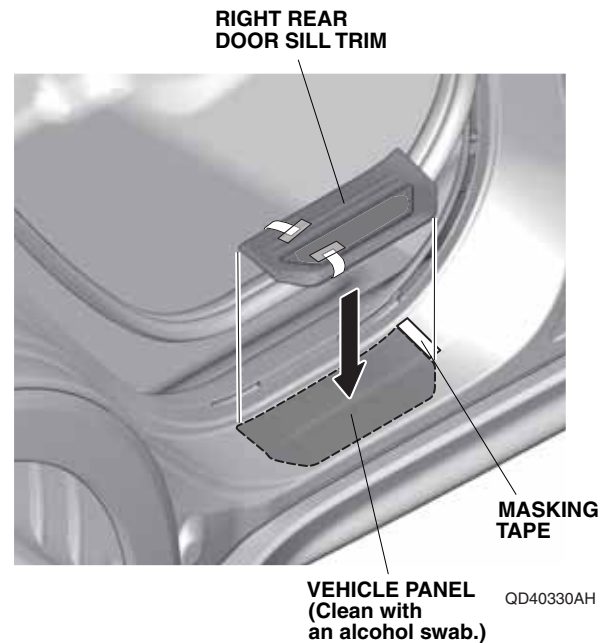
56. Pull away the door opening seal, and attach masking tape to the vehicle panel at the measurement shown.



57. Peel back the ends of two adhesive backings on the right rear door sill trim and attach them to the front of the trim with masking tape. Remove one adhesive backing. NOTE: Check the identification mark of the right rear door sill trim.

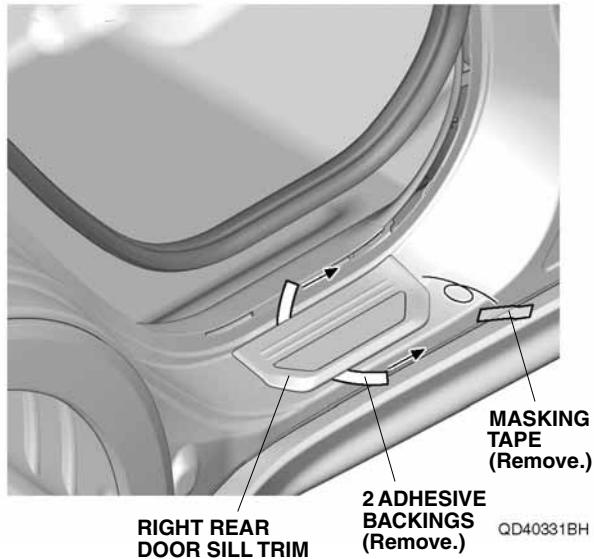


58. Using an alcohol swab, clean the vehicle panel where the right rear door sill trim will attach.



59. Position the right rear door sill trim at the masking tape.

60. Attach the right rear door sill trim to the vehicle panel by removing the two adhesive backings and pressing on the trim firmly with your hands.



61. Remove the masking tape.
62. Repeat steps 56 through 61 to install the left rear door sill trim on the left side of the vehicle.
63. Check that all wire harnesses are routed properly and all connectors are plugged in.
64. Install all removed parts.
65. Connect the negative cable to the battery.
66. Turn the engine switch to ON; the SRS indicator should come on for about 6 seconds and then go off.
67. Press and hold the audio unit power button for two seconds to restore the audio and navi (if equipped) system functions.
68. Set the clock on vehicles without navigation.
69. If necessary restore the systems back to normal operation as described in the service information.

#### **Check the Operation of the Front Illuminated Door Sill Trim**

70. Make sure the light comes on when you open each front door.