



**INSTALLATION  
INSTRUCTIONS**

<p>Accessory</p> <p><b>SPLASH GUARDS</b> P/N 08P00-T7S-100</p>	<p>Application</p> <p><b>2016 HR-V</b></p>	<p>Publications No.</p> <p><b>VERSION 1</b></p>
		<p>Issue Date</p> <p><b>APR 2015</b></p>

**PARTS LIST**

Left front splash guard



Right front splash guard



Left rear splash guard



Right rear splash guard



4 Self-tapping screws, 5 x 25 mm



2 Self-tapping screws, 5 x 18 mm



2 Spring nuts



**TOOLS AND SUPPLIES REQUIRED**

- Phillips screwdriver
- Stubby Phillips screwdriver
- High-quality paste wax

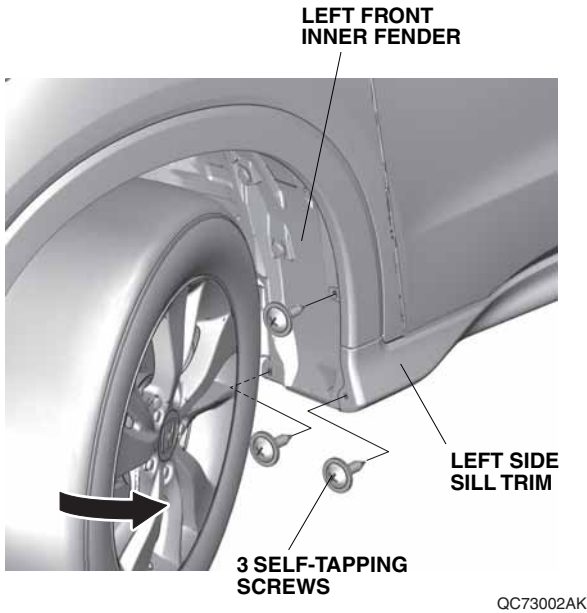
**INSTALLATION**

**Customer Information:** The information in this installation instruction is intended for use only by skilled technicians who have the proper tools, equipment, and training to correctly and safely add equipment to your vehicle. These procedures should not be attempted by “do-it-yourselfers.”

**NOTE:**

- Be careful not to damage the paint finish.
- These instructions show the left splash guards being installed. The same procedure applies to installing the right splash guards.
- Clean and wax the areas to be covered with a high-quality paste wax.

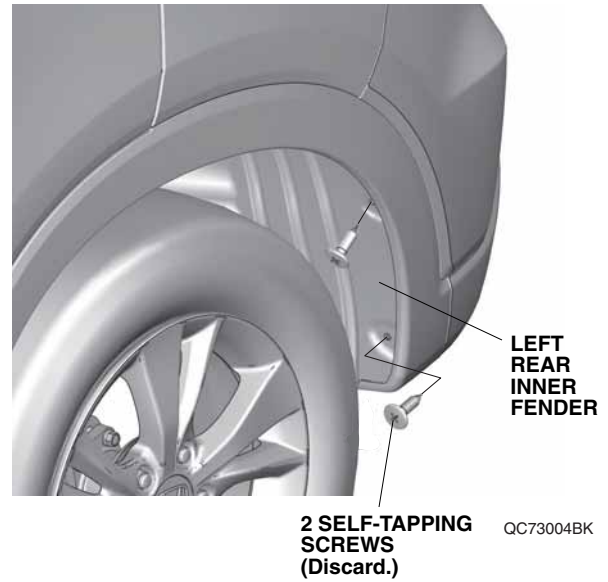
1. Turn the steering wheel fully counterclockwise.



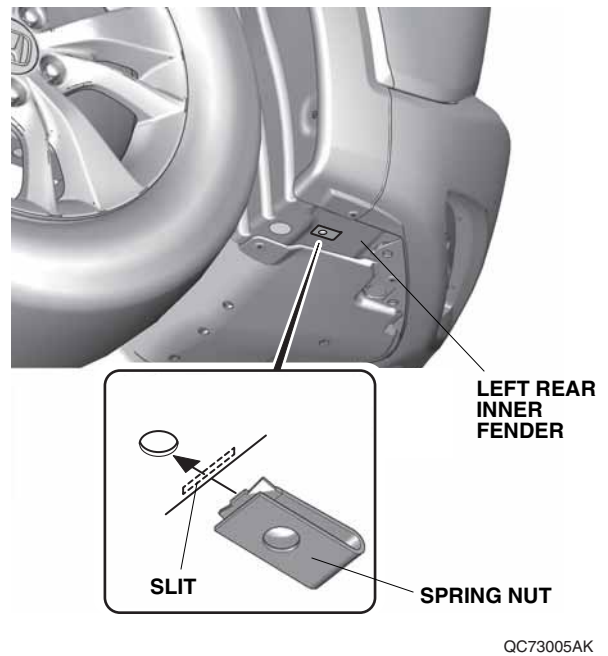
2. Remove the three self-tapping screws.
3. Secure the left front splash guard with three self-tapping screws in the order shown below.  
NOTE: Make sure there is no gap between the left front splash guard and the vehicle body. If there is a gap, loosen the self-tapping screws, hold the splash guard against the body, and retighten the screws.



4. Remove the two self-tapping screws.

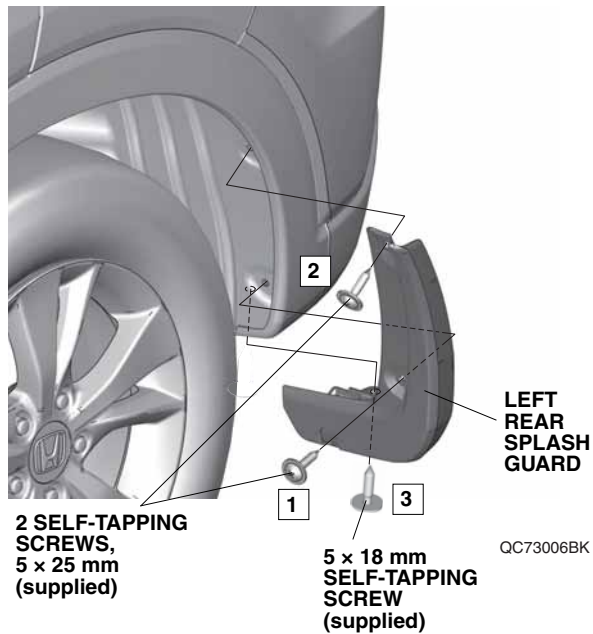


5. Install one spring nut on the left rear inner fender as shown.



6. Secure the left rear splash guard with two 5 x 25 mm self-tapping screws and one 5 x 18 mm self-tapping screw in the order shown below.

NOTE: Make sure there is no gap between the left rear splash guard and the vehicle body. If there is a gap, loosen the self-tapping screws, hold the splash guard against the body, and retighten the screws.



7. Turn the steering wheel fully clockwise, and repeat steps 2 through 6 to install the right splash guards.