



## INSTALLATION INSTRUCTIONS

Accessory

CARGO COVER  
P/N 08U35-T5A-100

Application

2020 FIT

Publications No.

VERSION 1

Issue Date

NOV 2019

### PARTS LIST

Cargo cover



2 Hooks



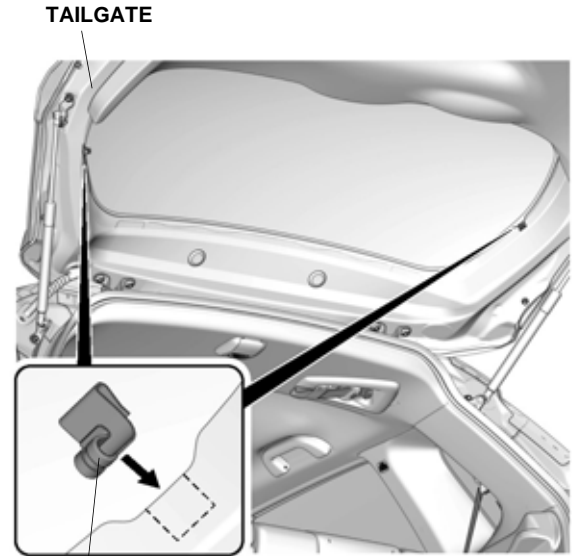
### Illustration of the Cargo Cover Installed in the Vehicle



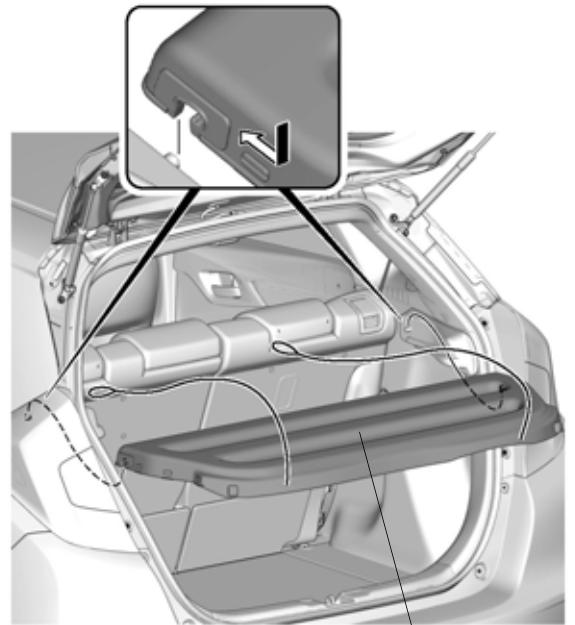
QFN0201AT

### INSTALLATION

1. Install the two hooks on the inside of the tailgate frame.



2. Install the cargo cover in the cargo area.



3. Slide the cords over the hooks on the tailgate.

