



## INSTALLATION INSTRUCTIONS

Accessory  
SIDE UNDER SPOILERS  
P/N 08F04-T5A-100

Application  
2019 FIT

Publications No.  
VERSION 1  
Issue Date  
APR 2018

### PARTS LIST

Left spoiler



Right spoiler



6 Clamps



6 Bracket screws



6 Bolts



6 Washer-nuts



2 Brackets



Template



4 Self-tapping screws



2 Primers



4 Alcohol swabs



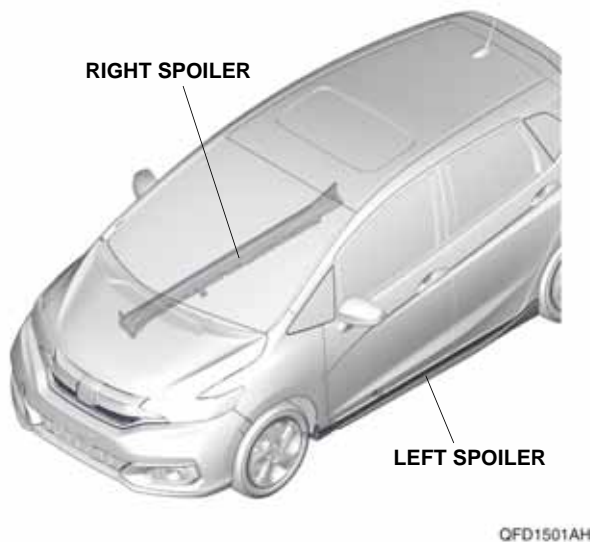
## TOOL AND SUPPLIES REQUIRED

- Phillips screwdriver
- Masking tape
- Pushpin
- Felt-tip pen
- Utility knife
- Touch-up paint
- Ruler
- 10 mm Open end wrench
- Stubby Phillips screwdriver

The following tool is available through the Honda Tool and Equipment Program. On the iN, click on Service > Service Bay > Tool and Equipment Program, then enter the number under "Search." Or, call 888-424-6857.

- Rubber Roller (T/N MHLE54D)

## Illustration of the Side Under Spoilers Installed on the Vehicle



## INSTALLATION

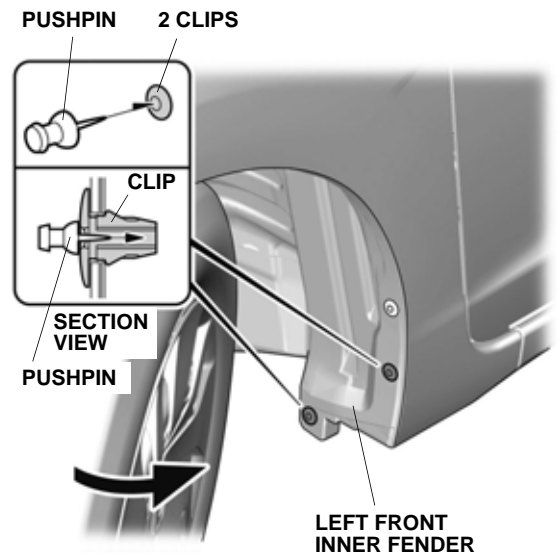
**Customer Information:** The information in this installation instruction is intended for use only by skilled technicians who have the proper tools, equipment, and training to correctly and safely add equipment to your vehicle. These procedures should not be attempted by "do-it-yourselfers."

### NOTE:

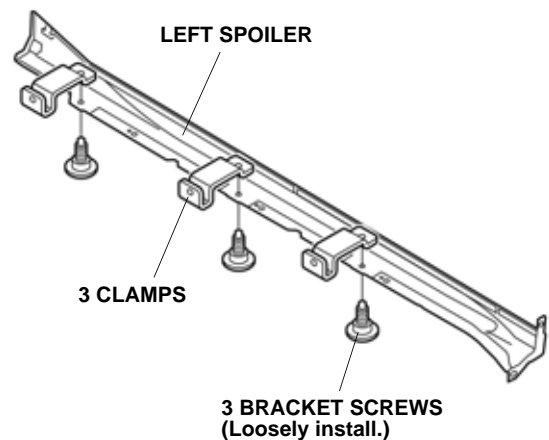
- Do not damage the paint finish.
- This side under spoiler kit should be installed only if the ambient air temperature is 15°C (60°F) or above.
- To allow the adhesive to cure, do not wash the vehicle for 24 hours. Make sure your customer is aware of this.

## Installing the Spoilers

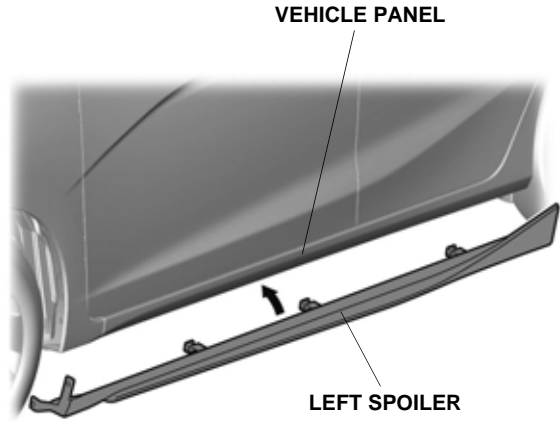
1. Turn the steering wheel fully counterclockwise.



2. Using a pushpin, pierce the centers of the two clips shown on the left front inner fender.
3. Loosely install the three clamps to the left spoiler with the three bracket screws.

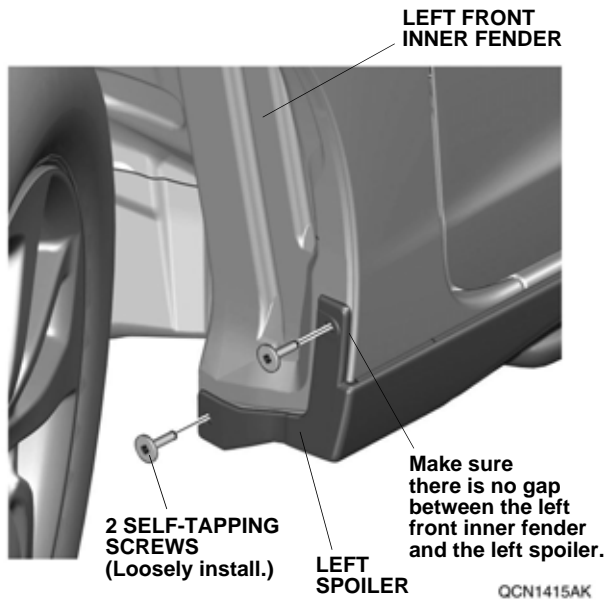


4. Position the left spoiler on the vehicle panel.

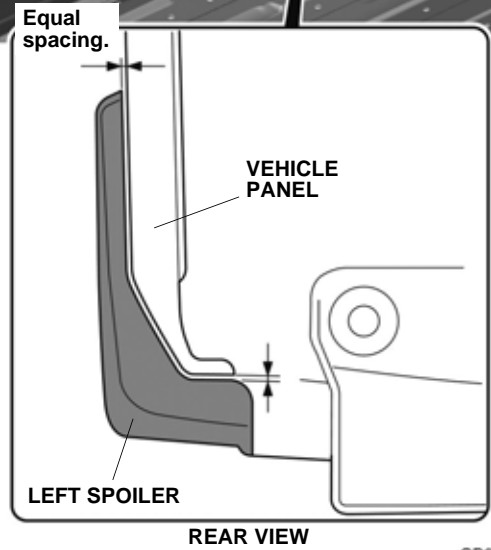
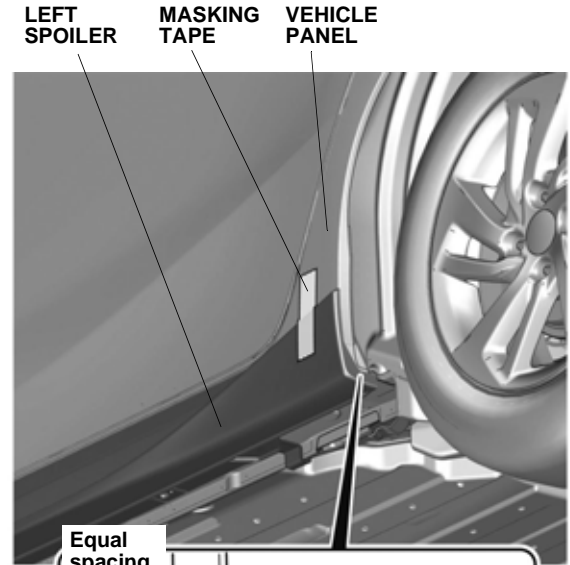


QC41503AK

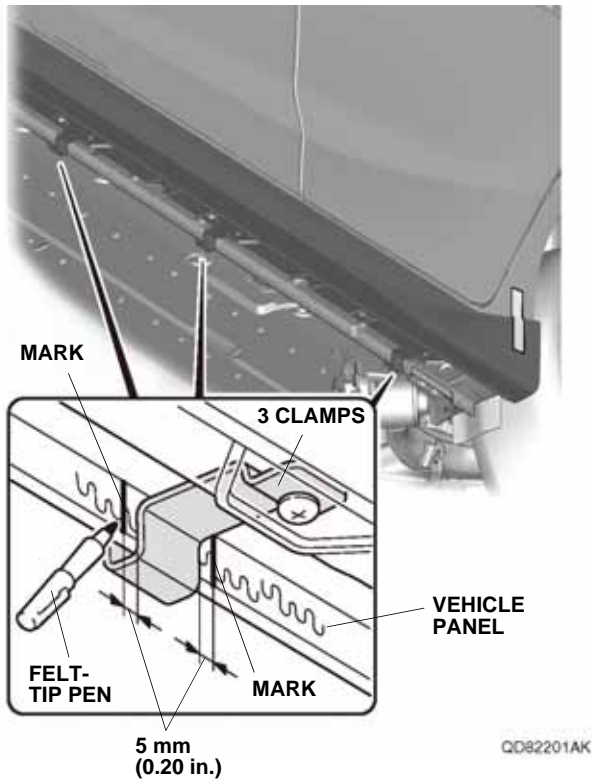
5. Loosely install the left spoiler with the two self-tapping screws.  
NOTE: Make sure there is no gap between the left front inner fender and the left spoiler.



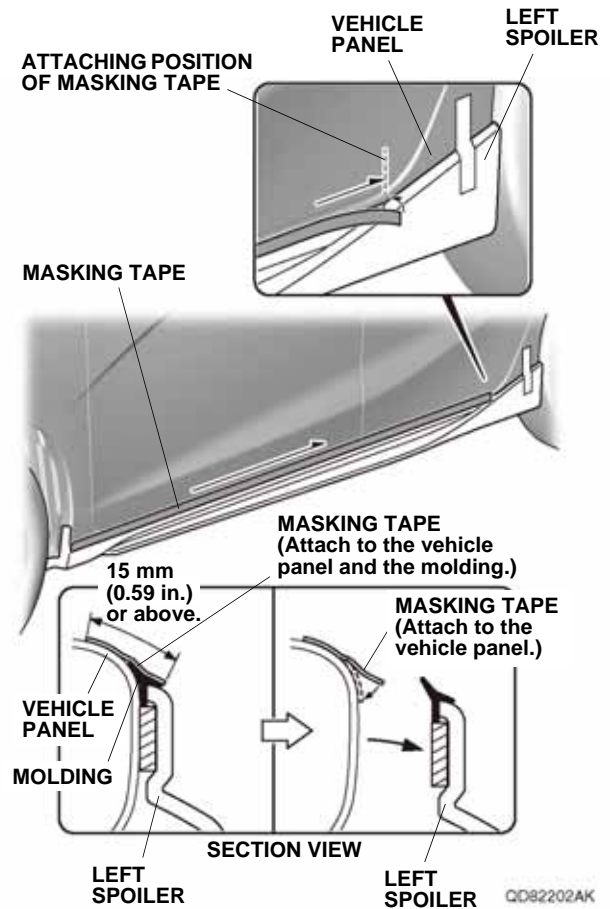
6. Loosely install the left spoiler with masking tape.



7. Using a felt-tip pen, mark the vehicle panel as shown.

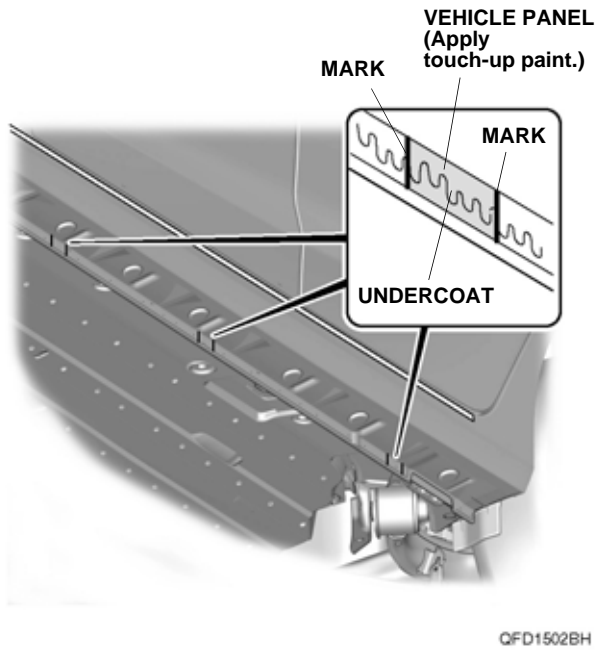


8. Attach the masking tape to the vehicle panel as shown.

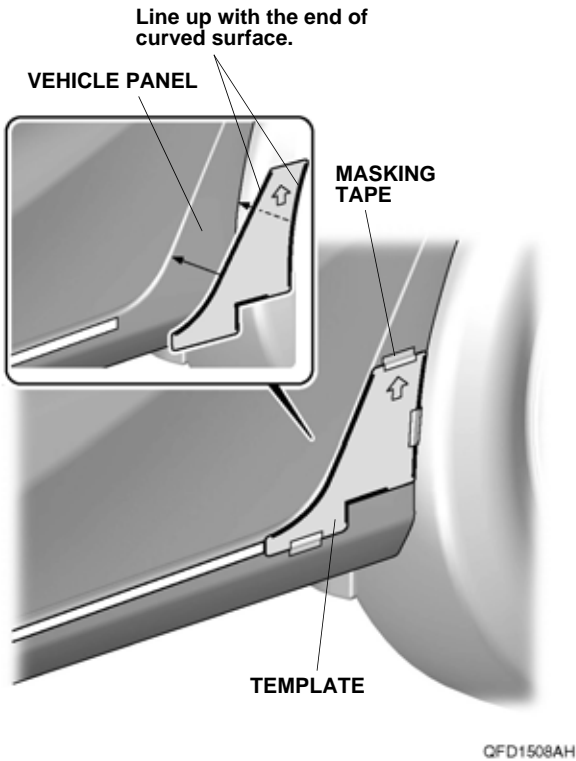


9. Remove the left spoiler while leaving the masking tape on the vehicle panel.

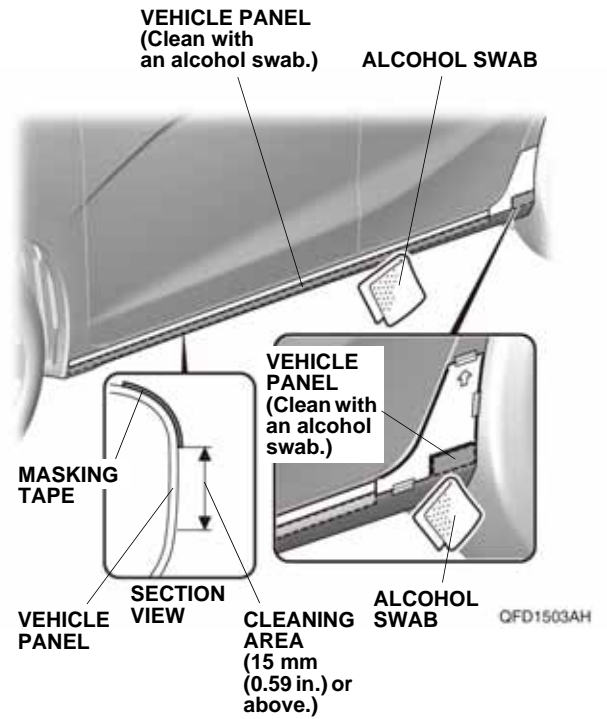
10. Using a utility knife, remove the undercoat as shown. NOTE: Remove the undercoat in the marked areas only.



11. Line up the template with the vehicle panel as shown. Secure the template to the vehicle panel with masking tape.



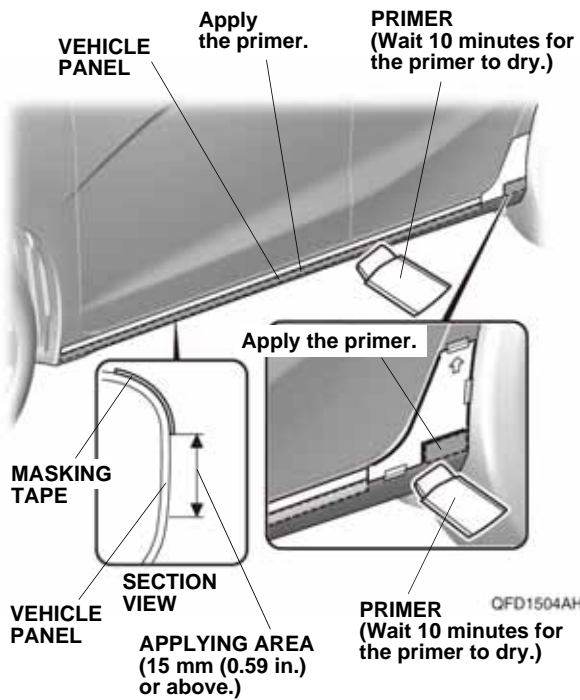
12. Using the two alcohol swabs, thoroughly clean the vehicle panel where the bracket and the left spoiler will attach.



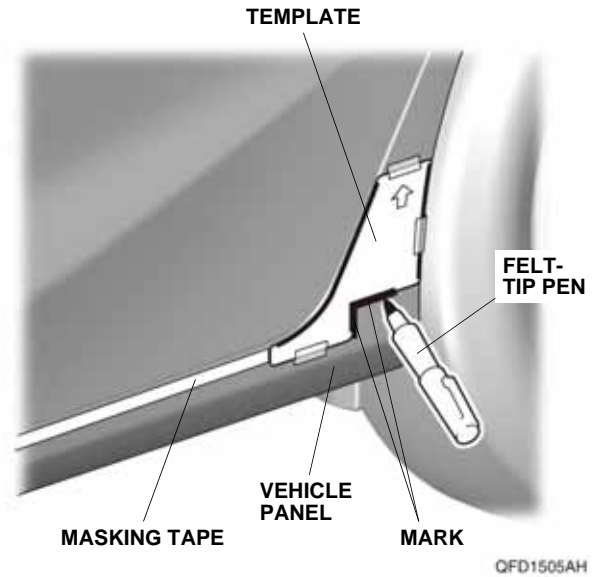
13. Apply the primer to the vehicle panel where the bracket and the left spoiler will attach.

NOTE:

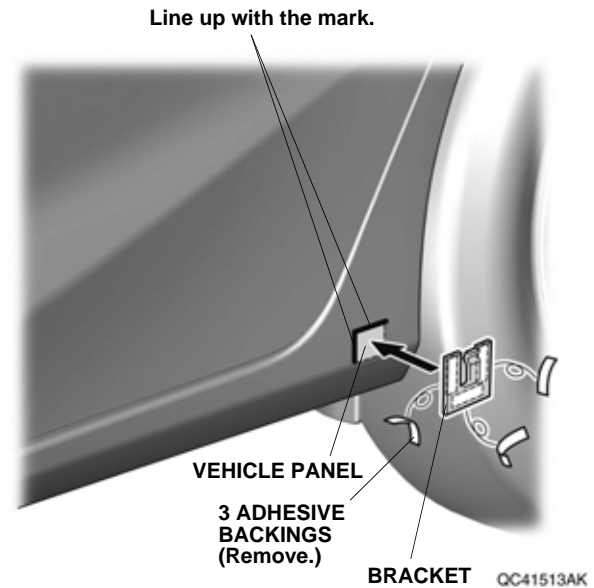
- Apply the primer evenly.
- Be careful not to apply the primer anywhere except to the indicated area.
- Do not apply additional primer.
- Wait 10 minutes for the primer to dry before attaching the rear under spoiler.



14. Using a felt-tip pen, mark the vehicle panel as shown.

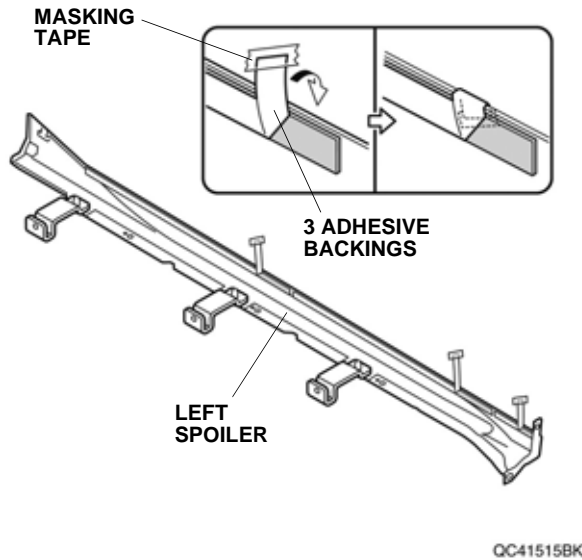


15. Remove the masking tape and template.
16. Remove the three adhesive backings from the bracket.

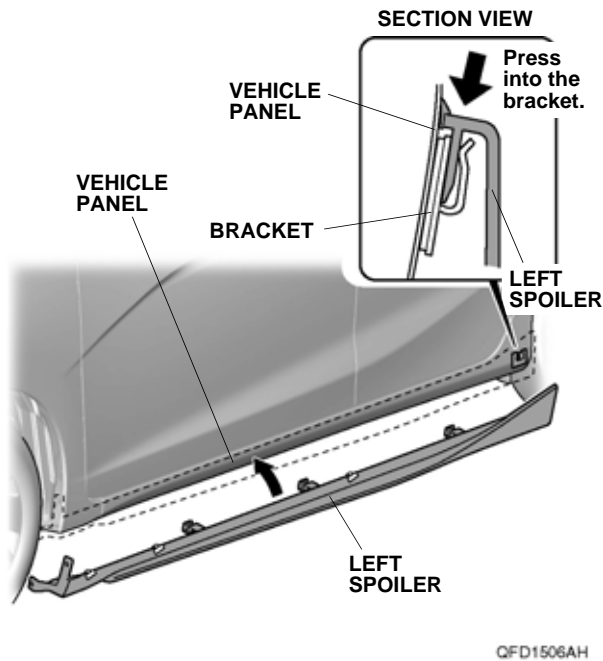


17. Line up the bracket with the mark, and attach it to the vehicle panel as shown. Press and hold the bracket firmly against the vehicle for 30 seconds.

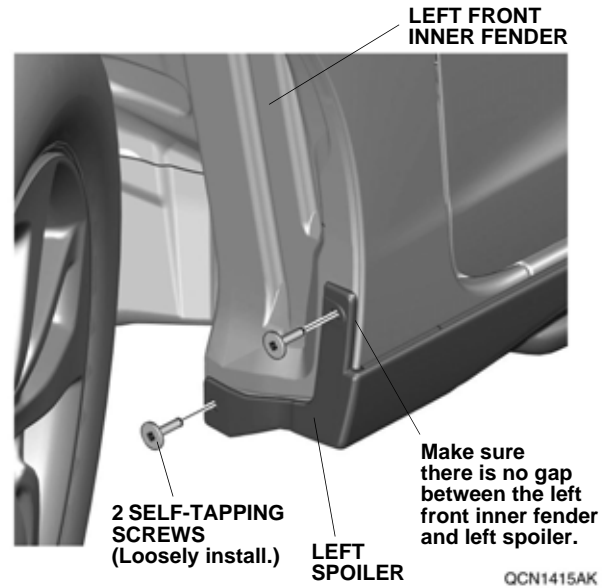
18. Peel back the adhesive backings, and tape them to the front surface of the left spoiler with masking tape.



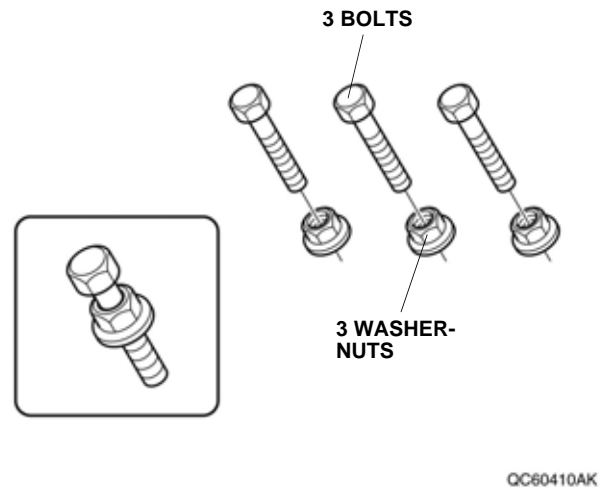
19. Install the left spoiler to the vehicle panel.



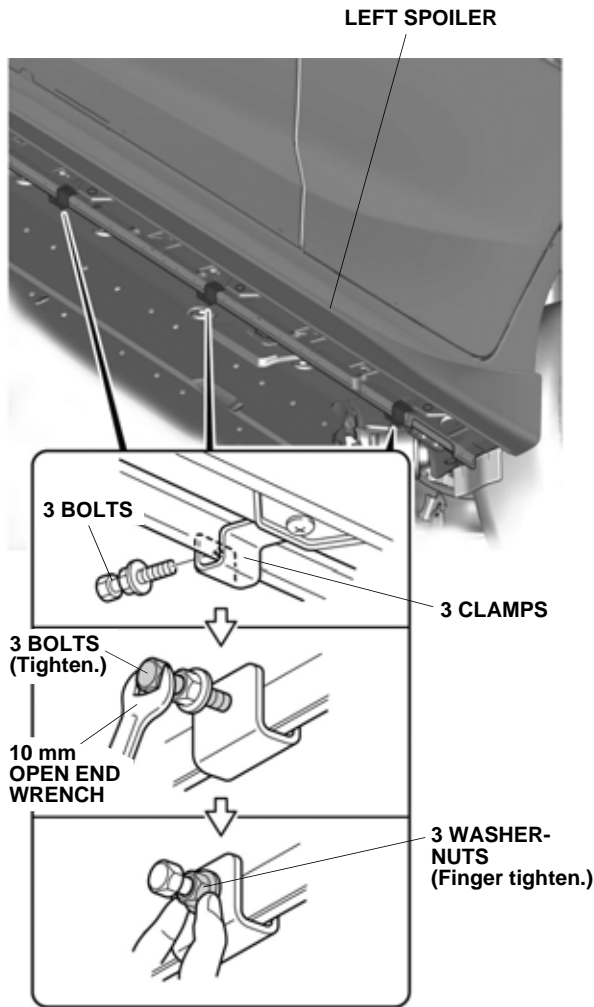
20. Loosely install the two self-tapping screws. NOTE: Make sure there is no gap between the left front inner fender and left spoiler.



21. Assemble the three bolts and three washer-nuts.

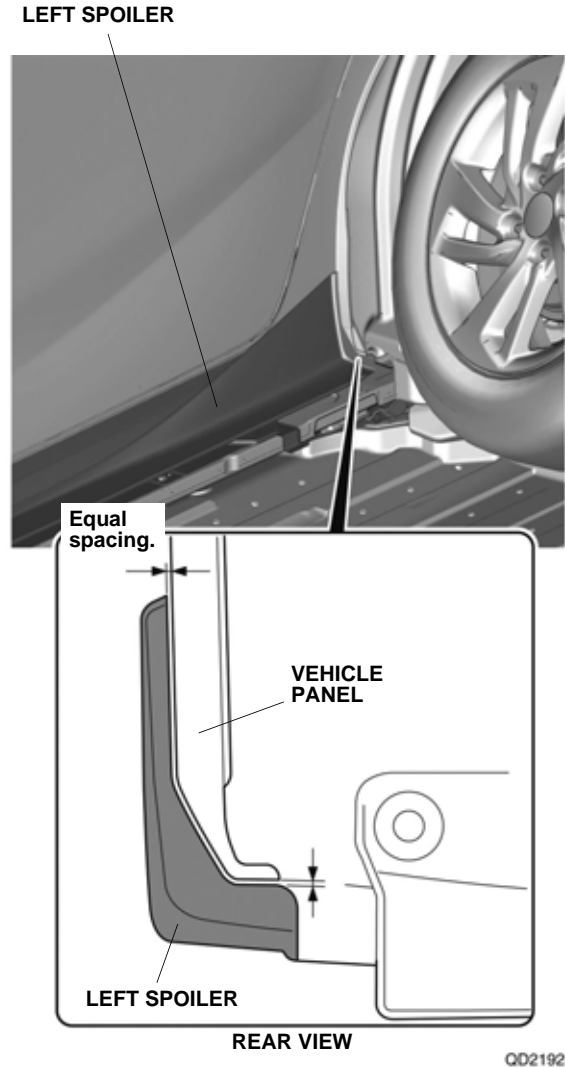


22. Install and securely tighten the three bolts into the three clamps, then finger tighten the three washer-nuts against the three clamps.



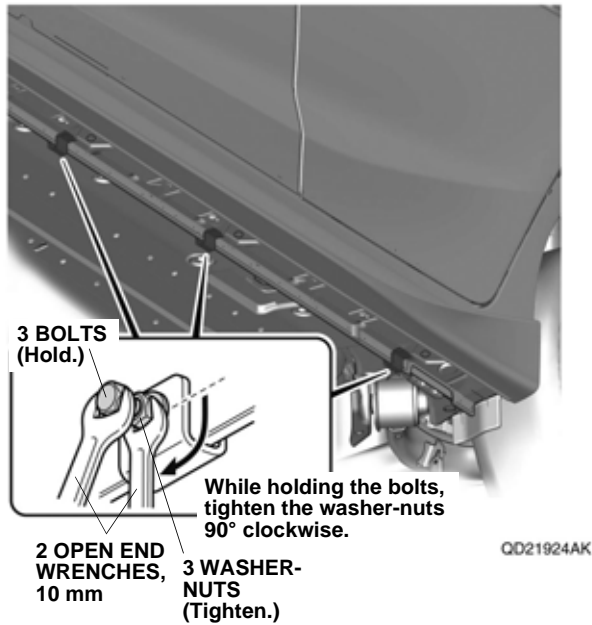
QD211922AK

23. Adjust the gap as shown.

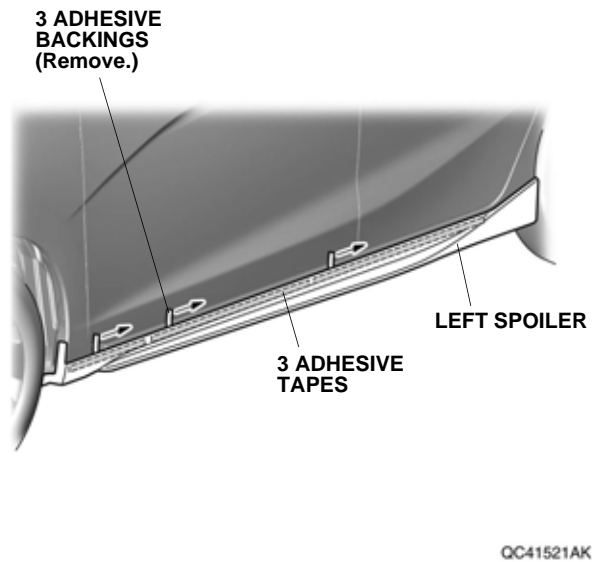




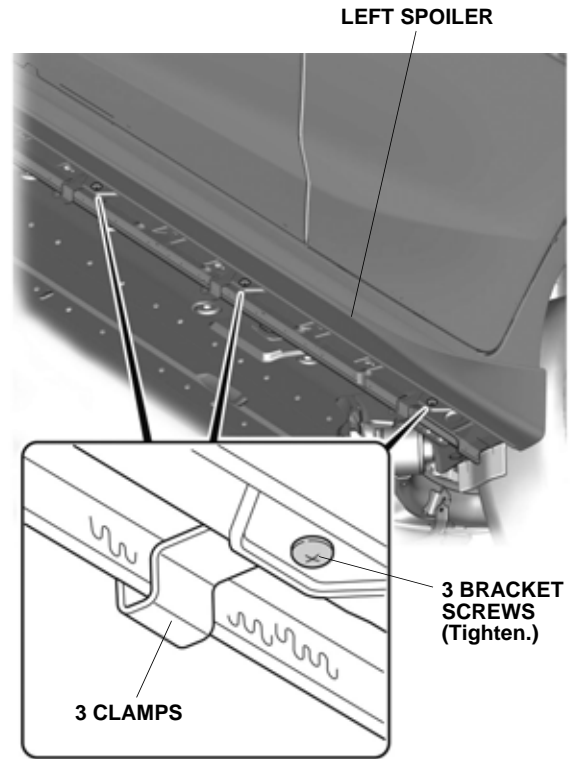
24. While holding the three bolts, tighten the three washer-nuts 90° clockwise.



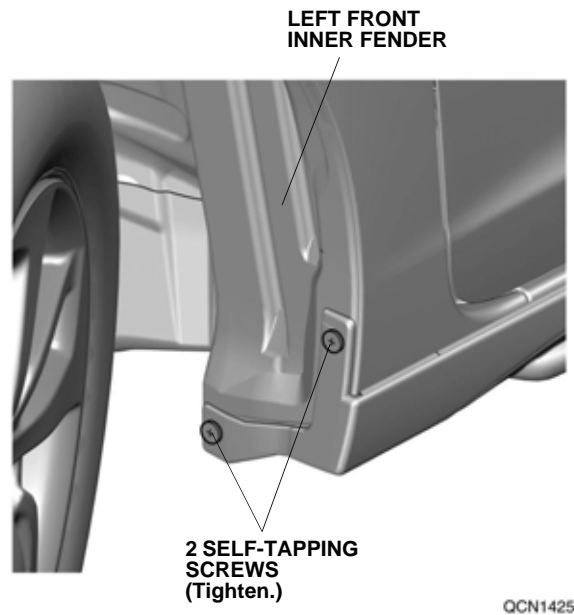
25. Remove the three adhesive backings, then press the three adhesive tapes firmly against the vehicle panel with the palm of your hands to adhere the left spoiler.



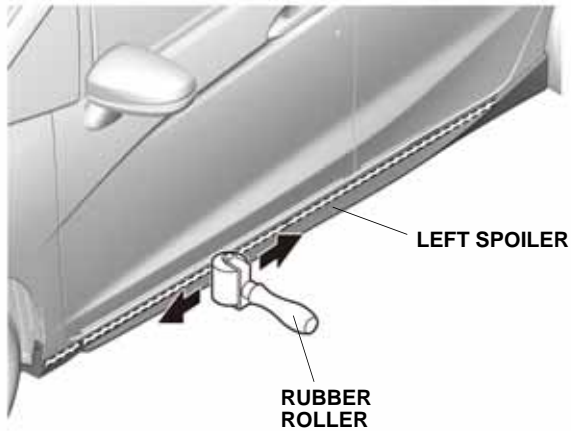
26. Tighten the bracket screws.



27. Tighten the two self-tapping screws.



28. Using a rubber roller, apply firm pressure while rolling to set the adhesive.



QFD1507AH

29. Turn the steering wheel fully clockwise.  
30. Repeat steps 2 through 28 to install the right spoiler on the right side of the vehicle.