

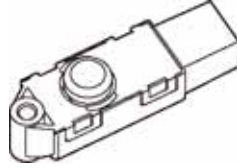


## INSTALLATION INSTRUCTIONS

Accessory	Application	Publications No.
AMBIENT LIGHTS P/N 08E10-T5A-102	2019 FIT	VERSION 1
		Issue Date APR 2018

### PARTS LIST

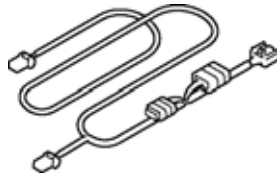
2 Ambient lights



Bracket



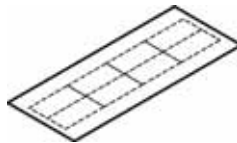
Ambient light harness



8 Wire ties



Fuse label



3 Self-tapping screws



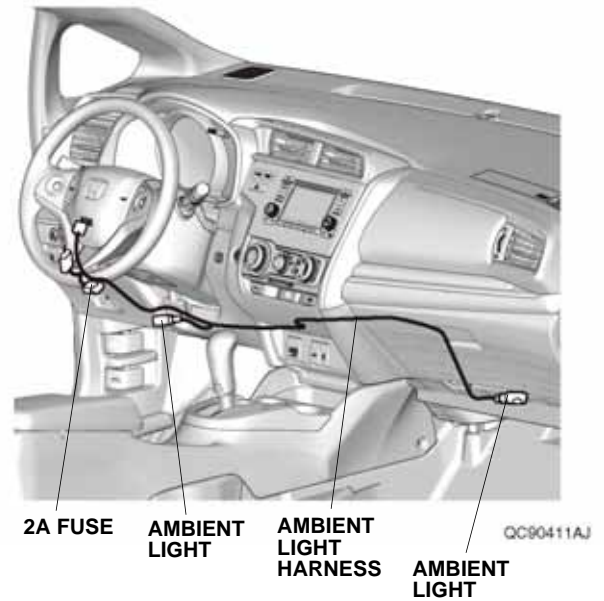
### TOOLS AND SUPPLIES REQUIRED

- Phillips screwdriver
- 10 mm Open end wrench
- Ratchet
- 10 mm Socket
- Diagonal cutters
- Isopropyl alcohol
- Shop towel
- Masking tape

The following tools are available through the Honda Tool and Equipment Program. On the iN, click on Service > Service Bay > Tool and Equipment Program, then enter the number under "Search". Or, call 888-424-6857.

- Trim Tool Set (T/N SOJATP2014)
- Plastic Trim Tool (T/N SILTRIMTL10)

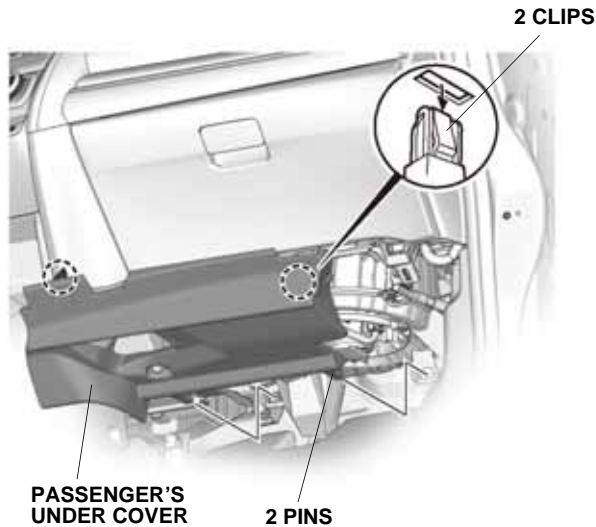
### Illustration of the Ambient Lights Installed in the Vehicle



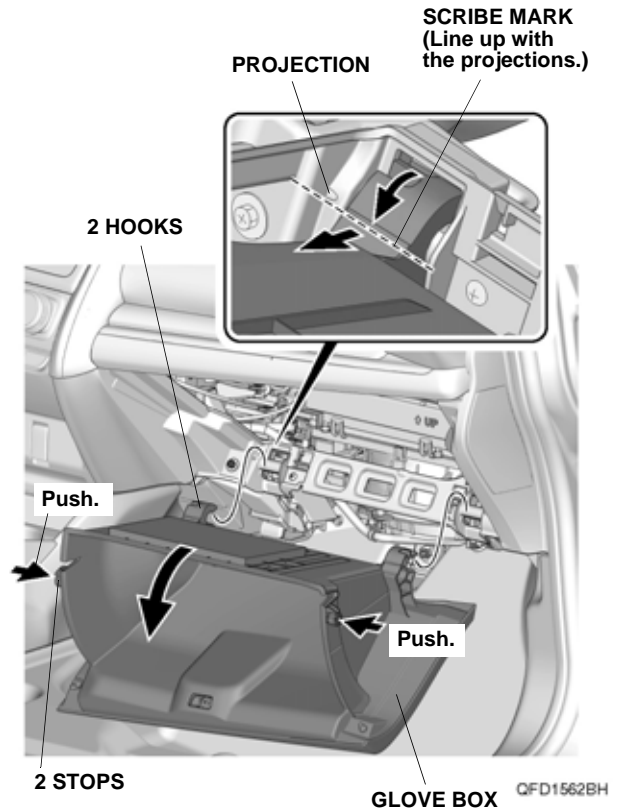
## INSTALLATION

**Customer Information:** The information in this installation instruction is intended for use only by skilled technicians who have the proper tools, equipment, and training to correctly and safely add equipment to your vehicle. These procedures should not be attempted by “do-it-yourselfers.”

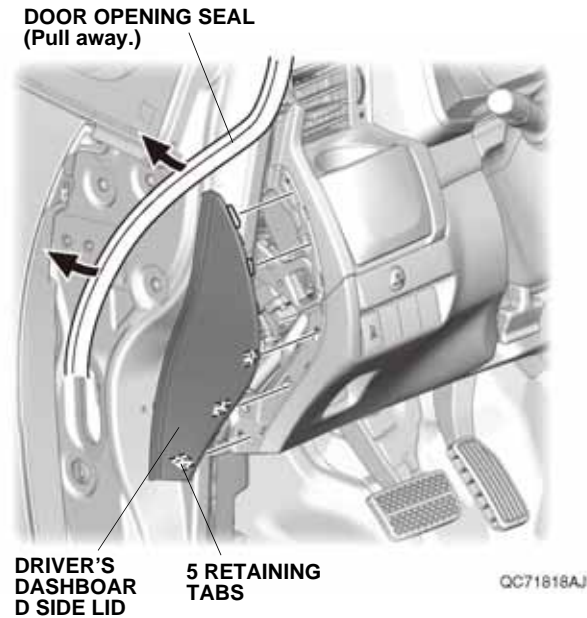
1. Disconnect the negative cable from the battery.
2. Remove the passenger's under cover.



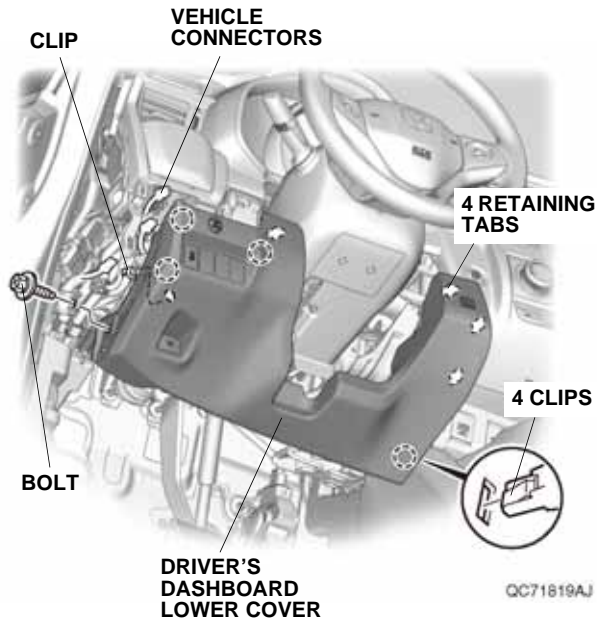
3. Open the glove box, push inward on the stops, and remove the glove box.



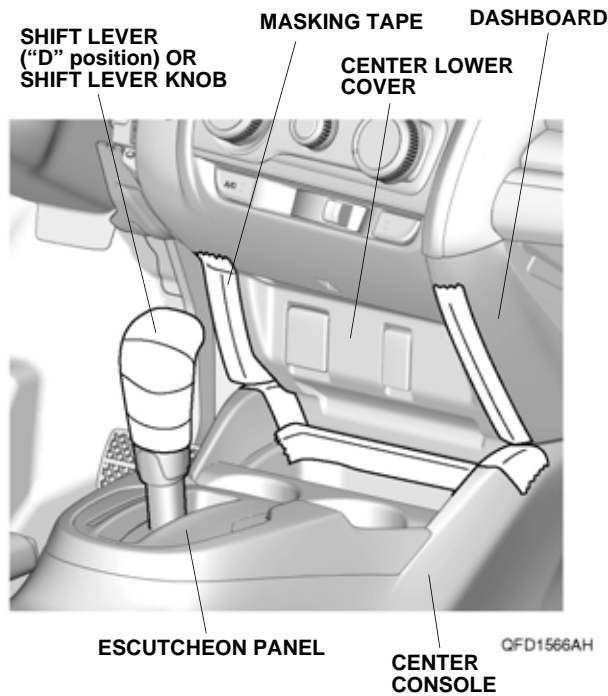
4. Pull away the door opening seal, and remove the driver's dashboard side lid.



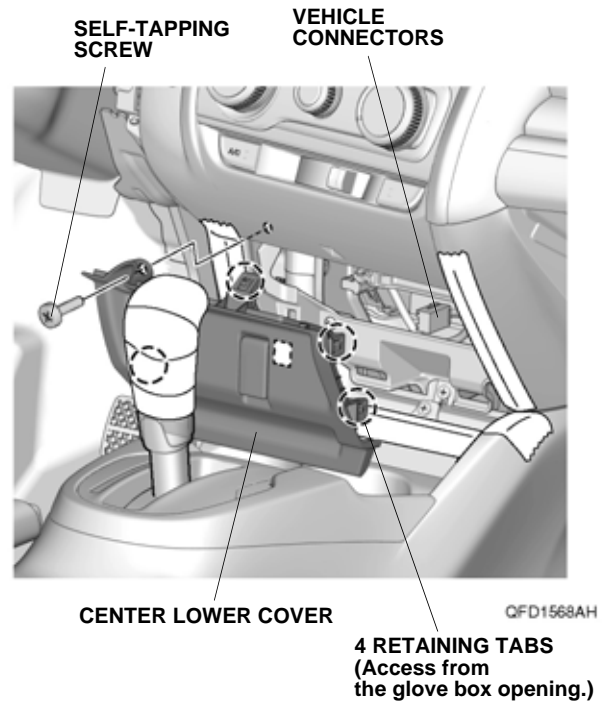
5. Remove the driver's dashboard lower cover, and unplug the vehicle connectors.



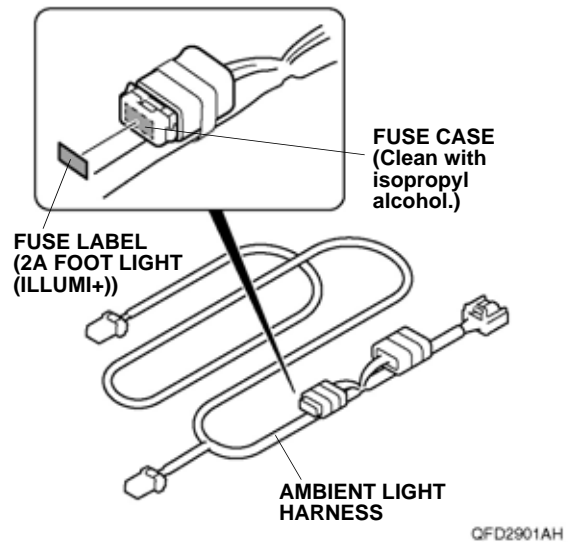
6. Apply masking tape as shown.



7. Remove the center lower cover, and unplug the vehicle connectors.



8. Using isopropyl alcohol on a shop towel, thoroughly clean the area where the fuse label will attach.

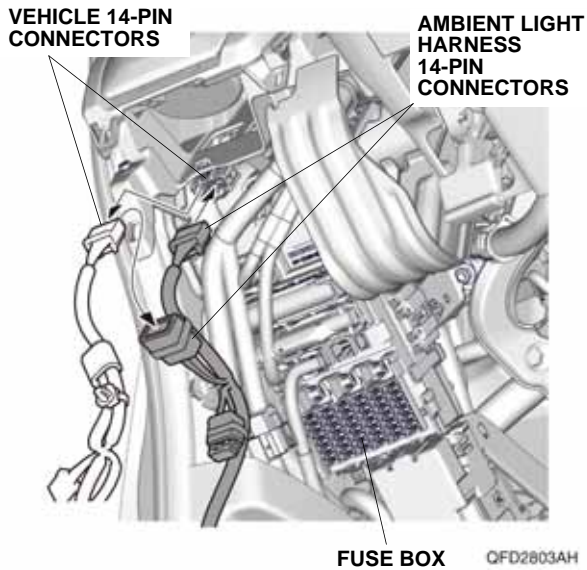


9. Attach the fuse label to the ambient light harness fuse case.

If the vehicle is without the other accessory harness 14-pin connector, continue with step 10; otherwise, go to step 11.

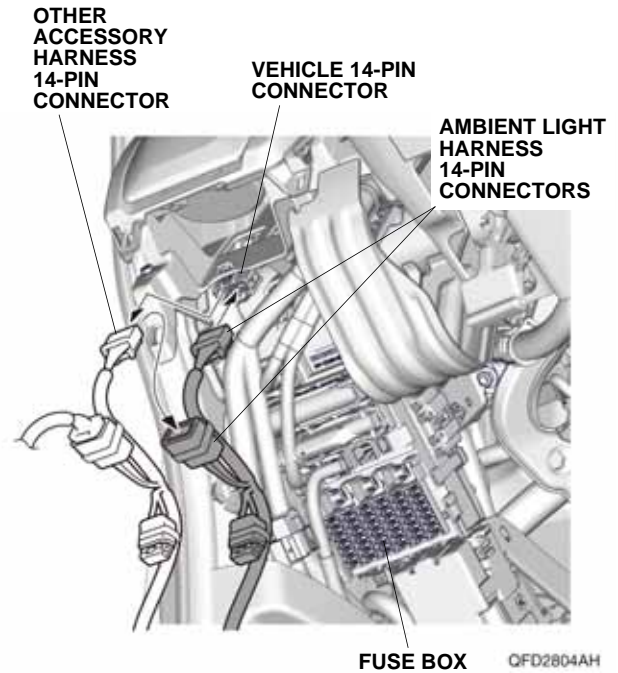
## Without Other Accessory Harness 14-pin Connector

10. Unplug the vehicle 14-pin connector, and plug it into the ambient light harness 14-pin connector. Plug the ambient light harness 14-pin connector into the vehicle 14-pin connector. Go to step 12.

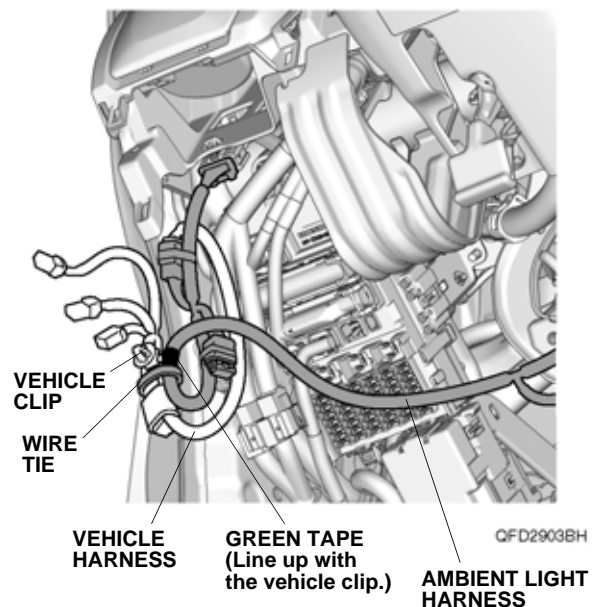


## With Other Accessory Harness 14-pin Connector

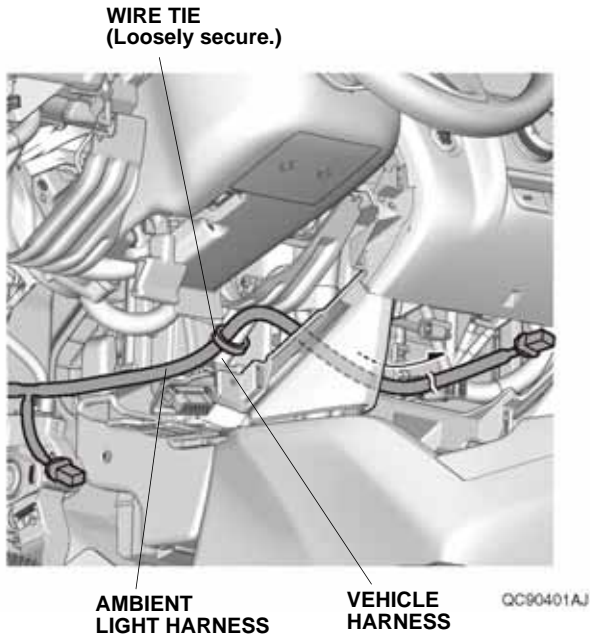
11. If the other accessory harness 14-pin connector is plugged into the vehicle 14-pin connector, unplug the other accessory harness 14-pin connector and plug it into the ambient light harness 14-pin connector. Plug the ambient light harness 14-pin connector into the vehicle 14-pin connector.



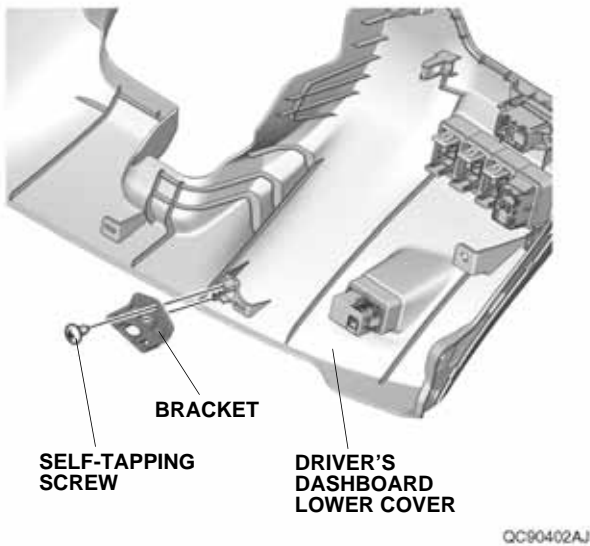
12. Line up the green tape on the ambient light harness with the vehicle clip, and secure the ambient light harness to the vehicle harness with one wire tie.



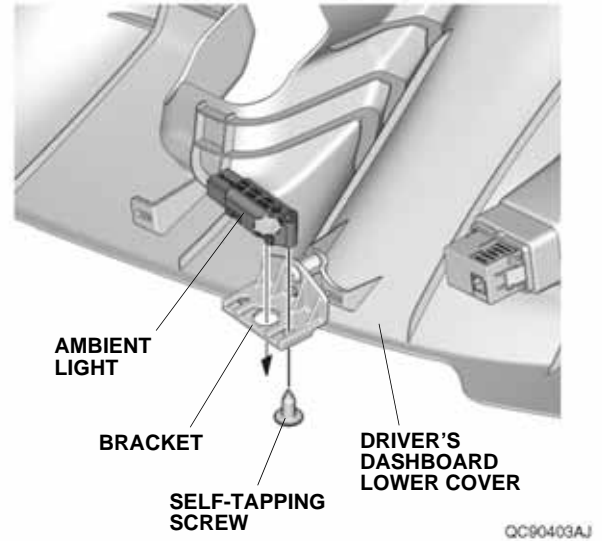
13. Route the ambient light harness as shown. Loosely secure the ambient light harness to the vehicle harness with one wire tie.



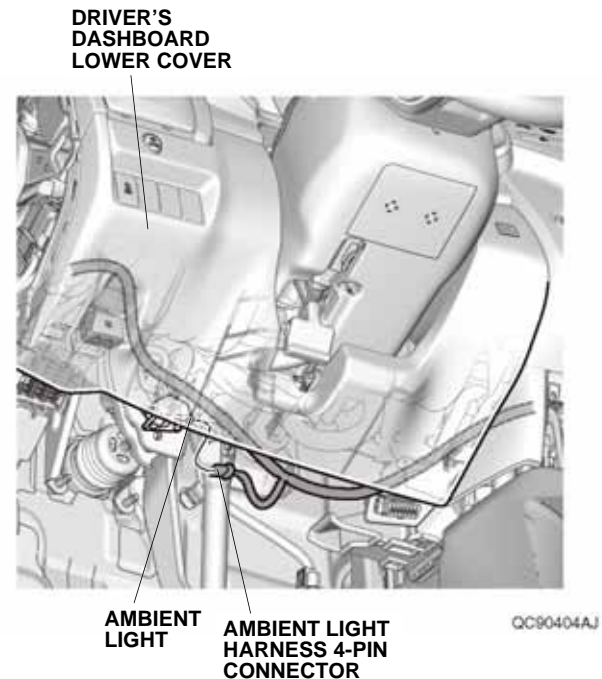
14. Install the bracket to the driver's dashboard lower cover with one self-tapping screw.



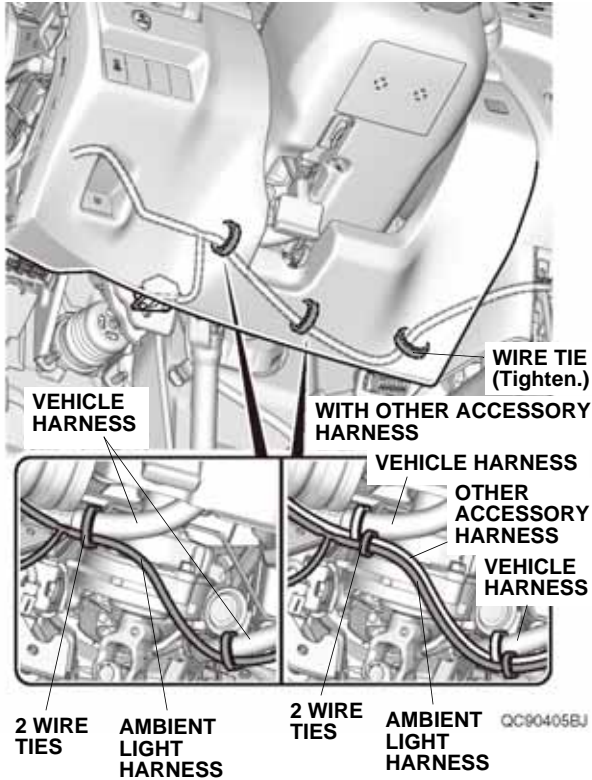
15. Install the ambient light to the bracket with one self-tapping screw.



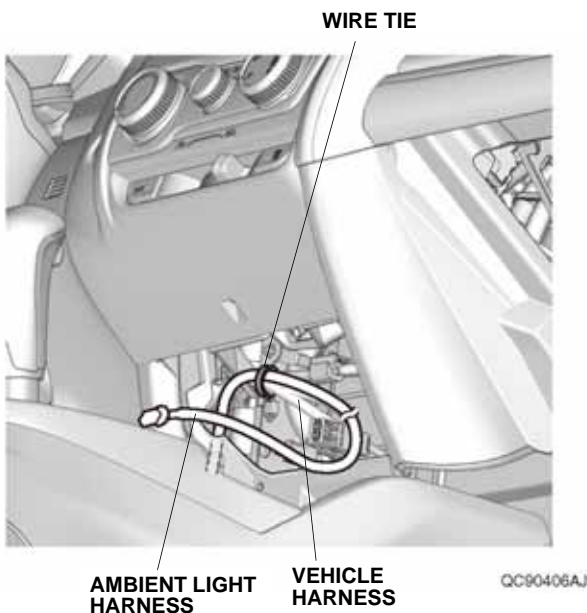
16. Plug the ambient light harness 4-pin connector into the ambient light, and install the driver's dashboard lower cover.



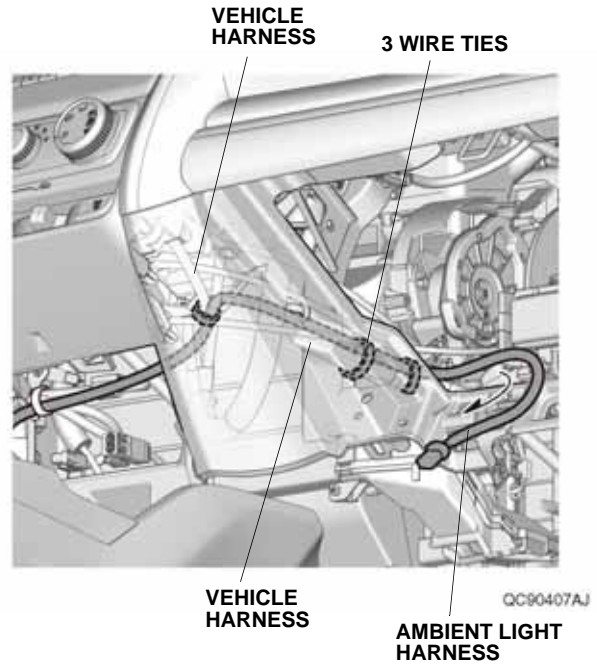
17. Secure the ambient light harness to the vehicle harness with two wire ties. If the other accessory harness is already secured to the vehicle harness, secure the ambient light harness to the other accessory harness with two wire ties. Tighten the wire tie.



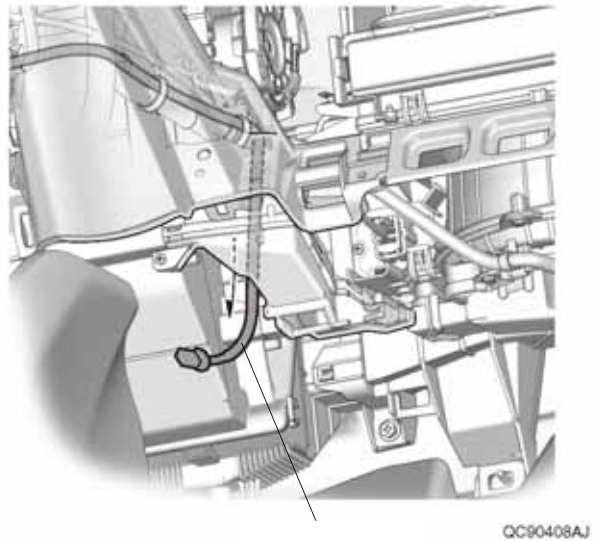
18. Secure the ambient light harness to the vehicle harness with one wire tie.



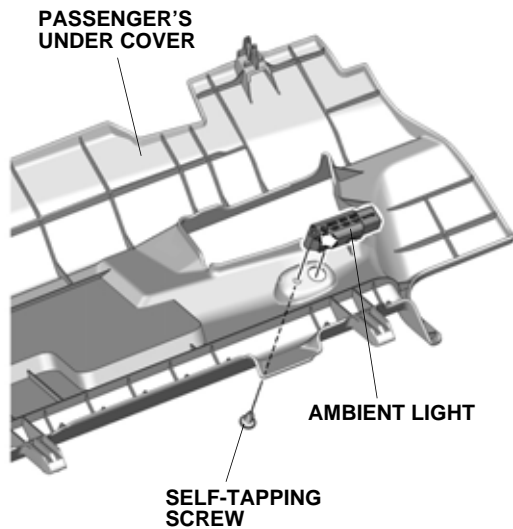
19. Route the ambient light harness as shown. Secure the ambient light harness to the vehicle harness with three wire ties.



20. Route the ambient light harness as shown.

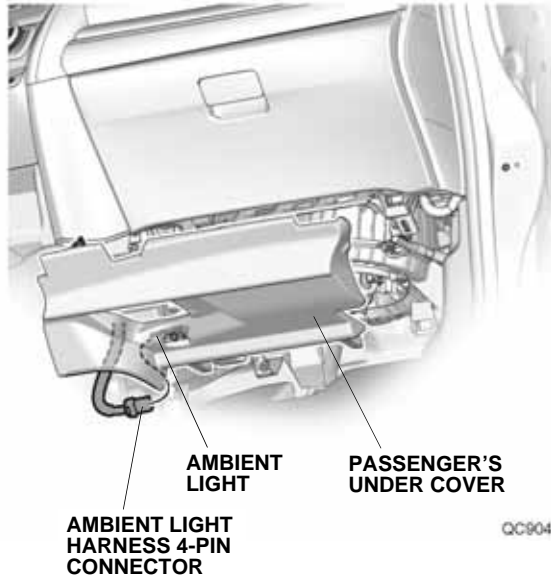


21. Install the ambient light on the passenger's under cover with one self-tapping screw.



QFD2902AH

22. Install the glove box.
23. Plug the ambient light harness 4-pin connector into the ambient light, and install the passenger's under cover.



QC90410AJ

24. Check that all wire harnesses are routed properly and all connectors are plugged in.
25. Install all removed parts.
26. Connect the negative cable to the battery.
27. Press and hold the audio unit power button for 2 seconds to restore the audio and navi (if equipped) system functions.
28. Set the clock.
29. If necessary, restore the systems back to normal operation as described in the service information.

## HOW TO OPERATE

- With the light switch set to the “ ” or “ ” position, the ambient lights are on.
- When the headlight switch is in the “AUTO” position, the ambient lights are on with the parking lights or headlights.
- Check that the ambient light brightness varies along with the instrument panel brightness by turning the brightness control knob.
- If the ambient lights do not come on, check the fuse and all the connectors.



QC92501AJ