



## INSTALLATION INSTRUCTIONS

Accessory	Application	Publications No.
SPLASH GUARDS P/N 08P00-T5A-100A	2018 FIT	VERSION 1
		Issue Date JUL 2017

### PARTS LIST

Right front splash guard



Left front splash guard



Right rear splash guard



Left rear splash guard



4 Spring nuts



6 Self-tapping screws, 5 x 25 mm



4 Self-tapping screws, 5 x 20 mm



2 Clips



Template



### TOOLS AND SUPPLIES REQUIRED

Phillips screwdriver

Stubby Phillips screwdriver

Drill

3 mm, 6 mm, 8 mm, and 10 mm Drill bits

File

Eye protection (face shield, safety goggles, etc.)

Pushpin

Utility knife

Masking tape

Felt-tip pen

*The following tools are available through the Honda Tool and Equipment Program. On the iN, click on Service > Service Bay > Tool and Equipment Program, then enter the number under "Search." Or, call 888-424-6857.*

- Trim Tool Set (T/N SOJATP2014)
- Plastic Trim Tool (T/N SILTRIMTL10)
- Torque Screwdriver (T/N CDI401SM)

## Illustration of the Splash Guards Installed on the Vehicle



## INSTALLATION

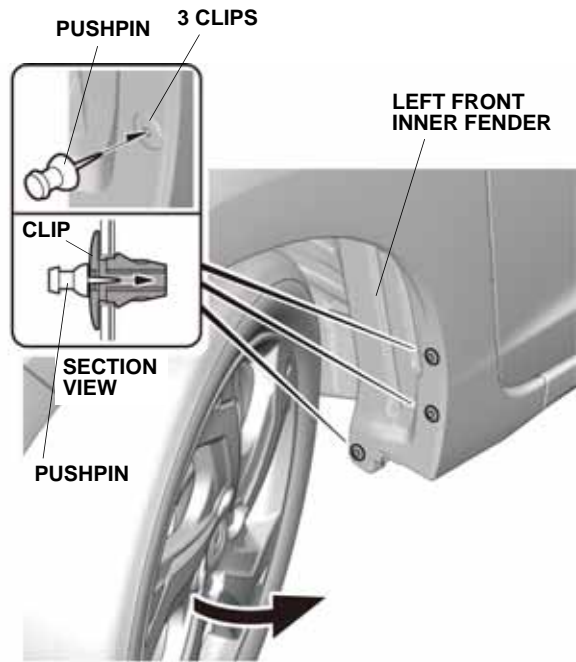
**Customer Information:** The information in this installation instruction is intended for use only by skilled technicians who have the proper tools, equipment, and training to correctly and safely add equipment to your vehicle. These procedures should not be attempted by “do-it-yourselfers.”

### NOTE:

- Do not damage the paint finish.
- These instructions show the left splash guards being installed. The same procedure applies to installing the right splash guards.
- Clean the areas to be covered.

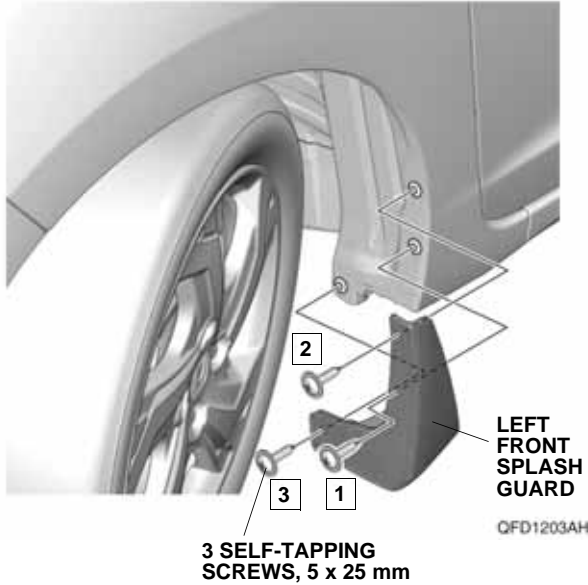
## Installing the Front Splash Guards

1. Turn the steering wheel fully counterclockwise.



2. Using a pushpin, pierce the centers of the three clips shown on the left front inner fender.

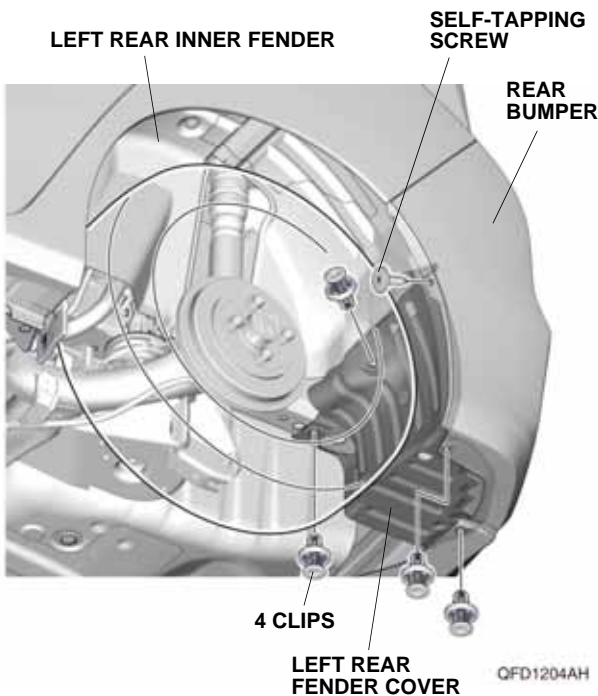
- Secure the left front splash guard with three 5 x 25 mm self-tapping screws as shown.  
NOTE: Make sure there is no gap between the left front splash guard and the vehicle body. If there is a gap, loosen the self-tapping screws, hold the splash guard against the body, and tighten the screws.



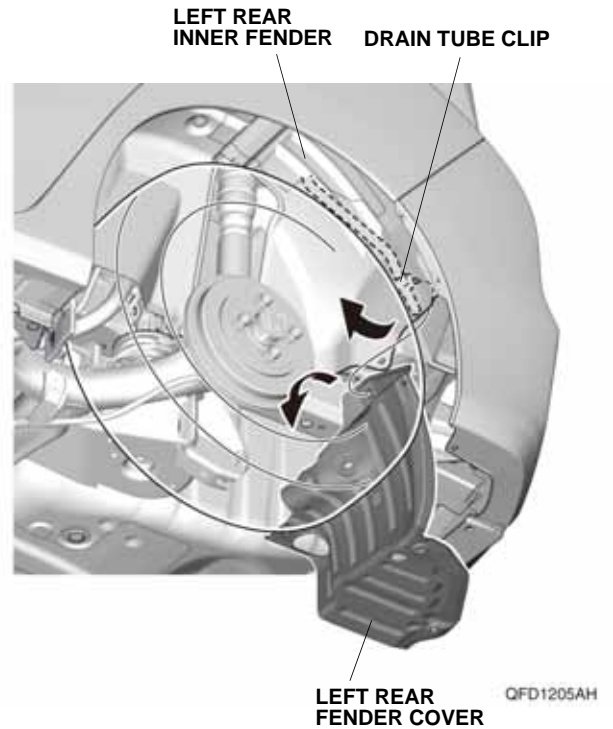
- Turn the steering wheel fully clockwise, and repeat steps 2 and 3 to install the right front splash guard on the right side of the vehicle.

### Installing the Left Rear Splash Guard

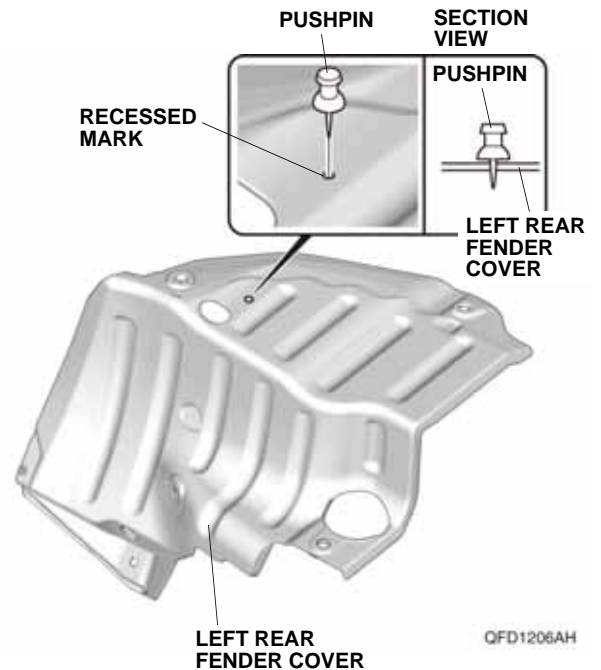
- Remove the four clips and one self-tapping screw.



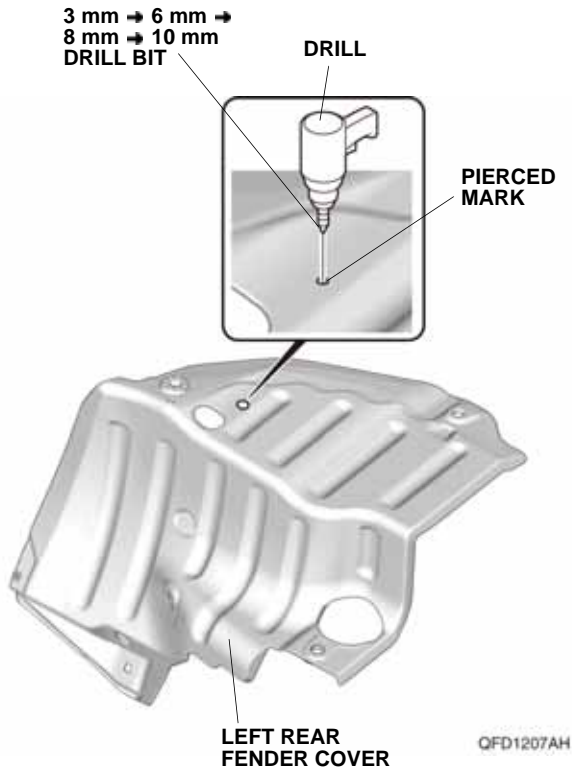
- Remove the left rear fender cover and drain tube clip.



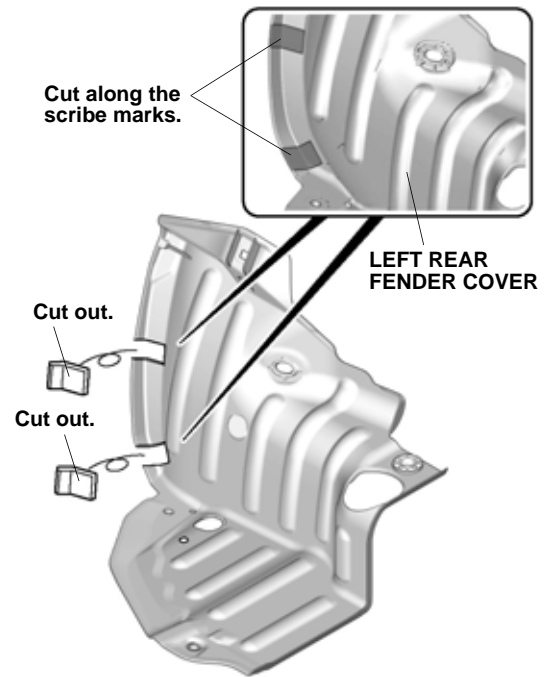
- Locate the recessed mark. Using a pushpin, pierce the left rear fender cover at the recessed mark.



8. While wearing eye protection, drill the left rear fender cover at the pierced mark using a 3 mm drill bit first, then a 6 mm drill bit, an 8 mm drill bit, and finish using a 10 mm drill bit.



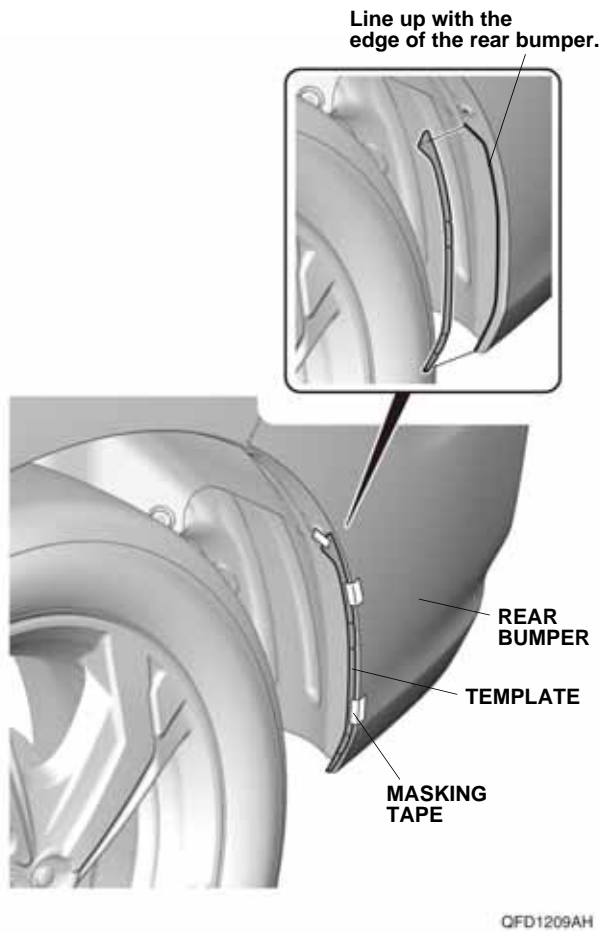
9. Using a utility knife, cut out the left rear fender cover along the scribe marks.



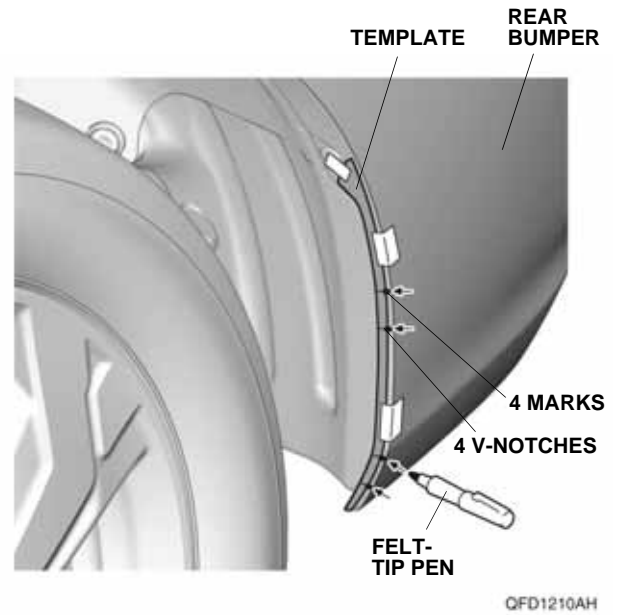
QFD1208BH

10. Remove any burrs with a file.  
11. Install the left rear fender cover.

12. Line up the template with the rear bumper as shown, and attach it with masking tape.

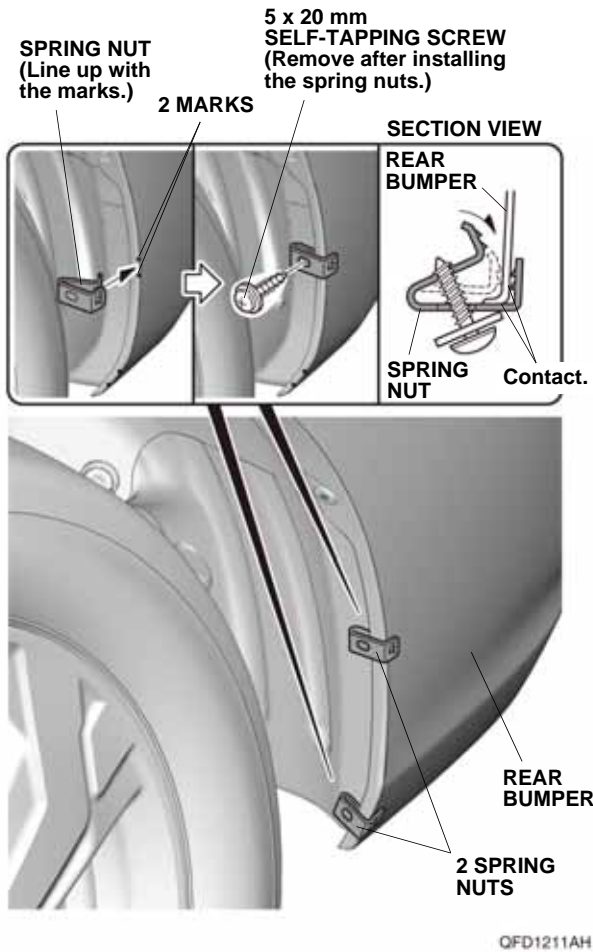


13. Using a felt-tip pen, mark the rear bumper as shown.

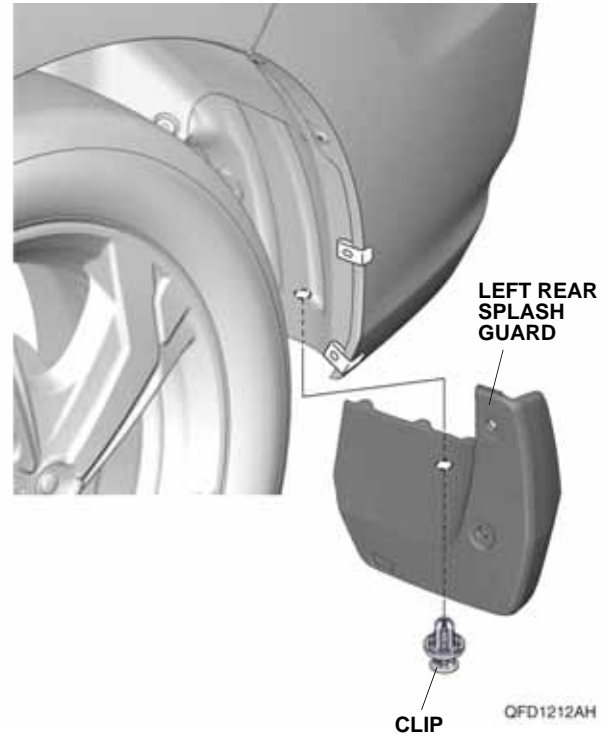


14. Carefully remove the template. Do not damage the template; it is also used to mark the right side of the rear bumper.

15. Line up the spring nuts with the marks you made, and secure them with the 5 x 20 mm self-tapping screw. Torque the 5 x 20 mm self-tapping screw to 0.9 N·m (0.7 lb-ft). Then, remove the two 5 x 20 mm self-tapping screws.

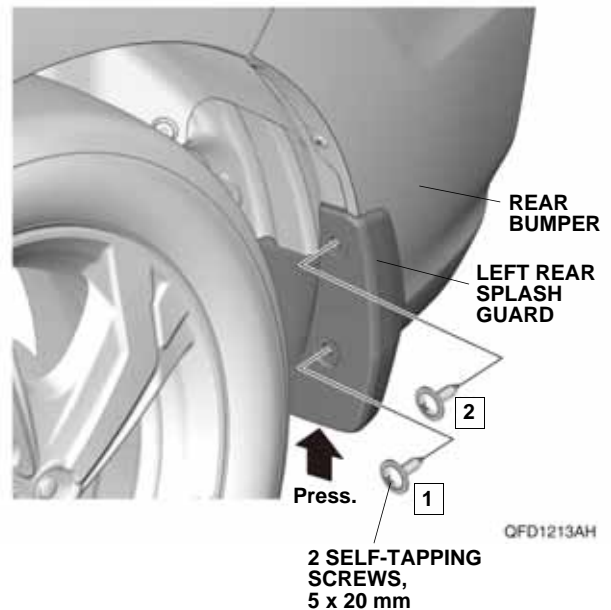


16. Secure the left rear splash guard with one clip.



17. Secure the left rear splash guard with two 5 x 20 mm self-tapping screws as shown.

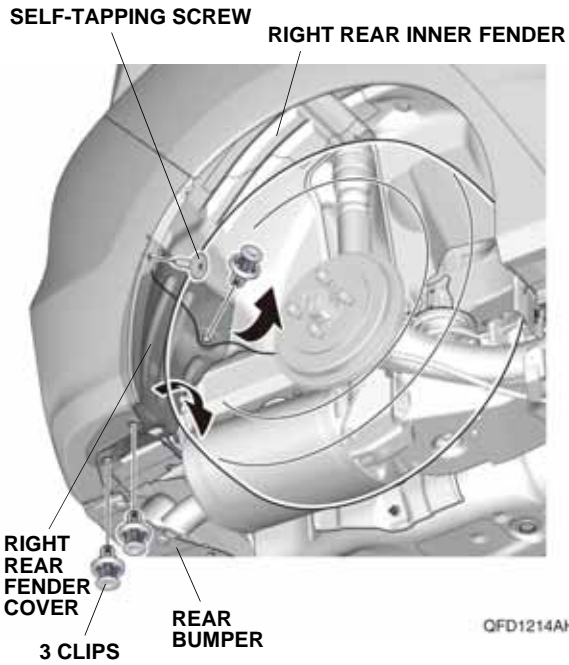
NOTE: Make sure there is no gap between the left rear splash guard and the vehicle body. If there is a gap, loosen the self-tapping screws, hold the splash guard against the body, and tighten the screws.



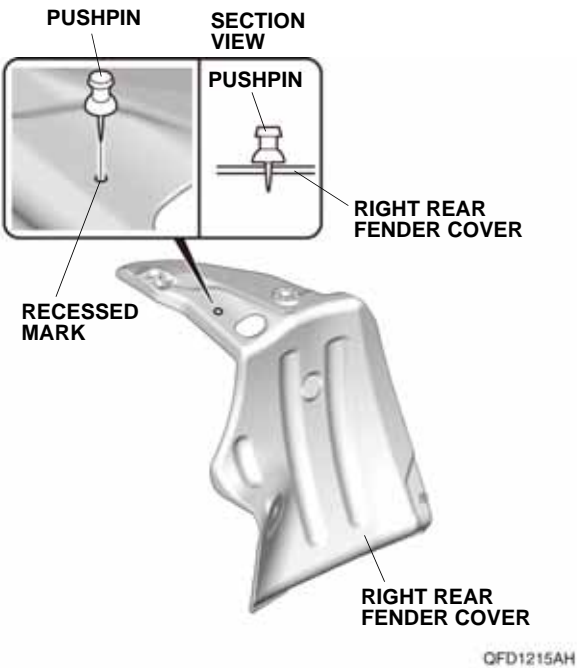


## Installing the Right Rear Splash Guard

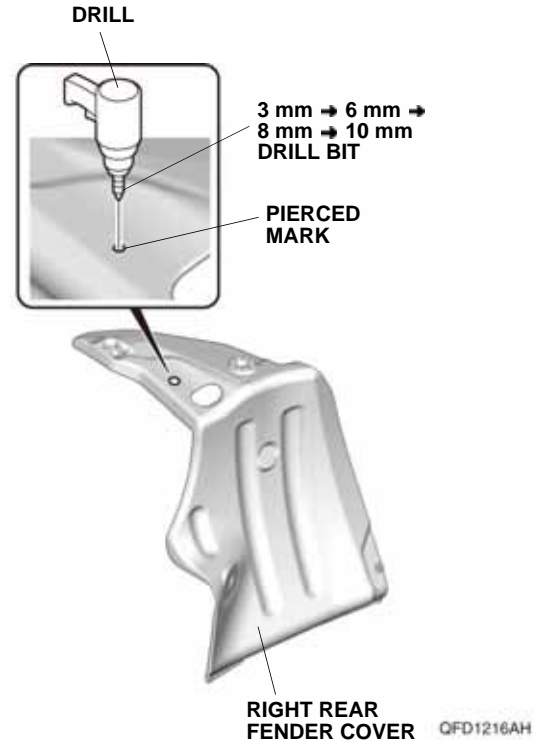
18. Remove the right rear fender cover.



19. Locate the recessed mark. Using a pushpin, pierce the right rear fender cover at the recessed mark.



20. While wearing eye protection, drill the right rear fender cover at the pierced mark using a 3 mm drill bit first, then a 6 mm drill bit, an 8 mm drill bit, and finish using a 10 mm drill bit.



21. Turn the template over, and repeat steps 9 through 17 to install the right rear splash guard.