



**INSTALLATION
INSTRUCTIONS**

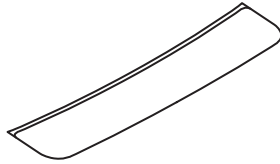
Accessory
REAR BUMPER APPLIQUE
P/N 08P48-T5A-100

Application
2016 FIT

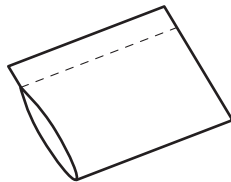
Publications No.
VERSION 1
Issue Date
MAR 2015

PARTS LIST

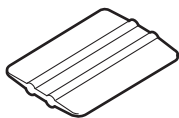
Rear bumper applique



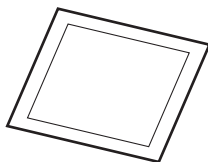
Soft sleeve



Applicator



Alcohol swab



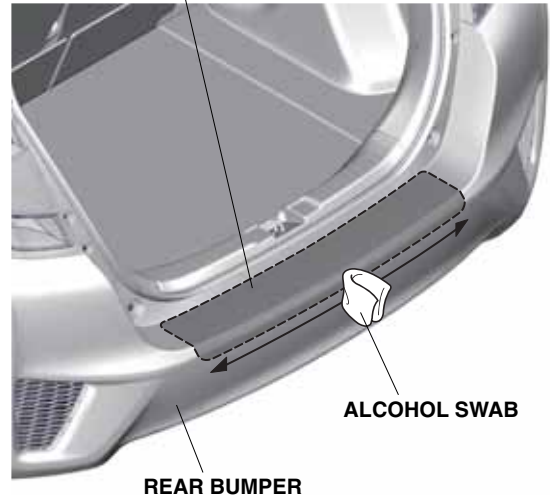
INSTALLATION

NOTE:

- Be careful not to damage the rear bumper and other finished surfaces of the body.
- This kit should only be installed if the ambient air temperature is 15°C (60°F) or above.
- To allow the adhesive to cure, do not wash the vehicle for 24 hours. Please advise the customer.

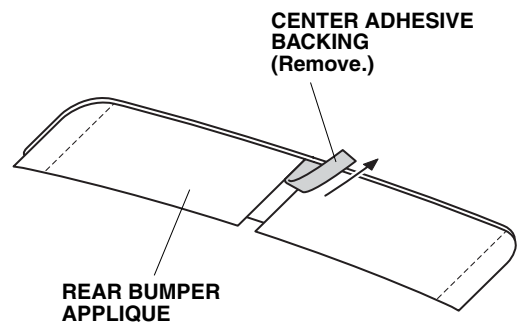
1. Using the alcohol swab, clean the rear bumper where the rear bumper applique will attach.

Clean with the alcohol swab.



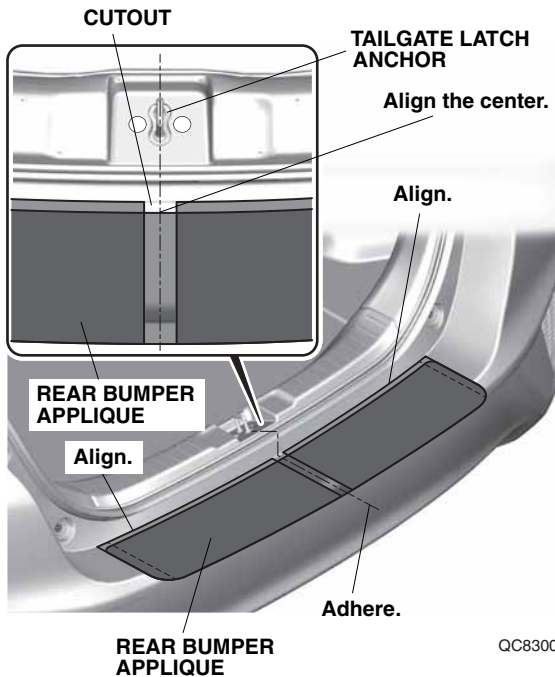
QC83001AK

2. Remove the center adhesive backing from the rear bumper applique.

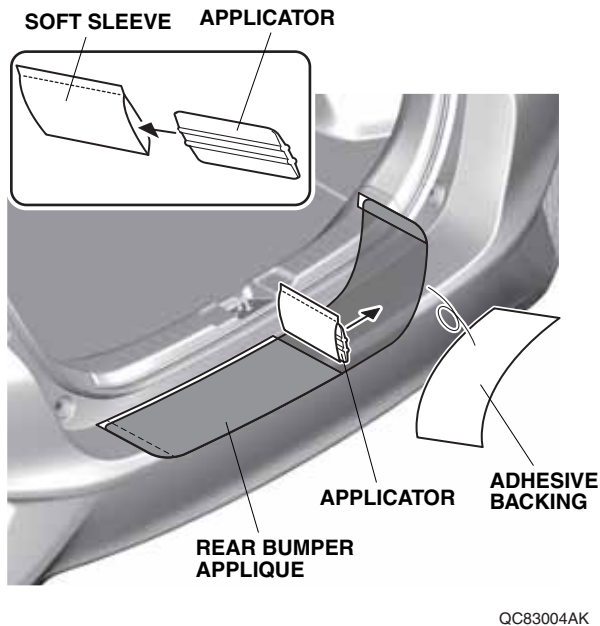


QC83002AK

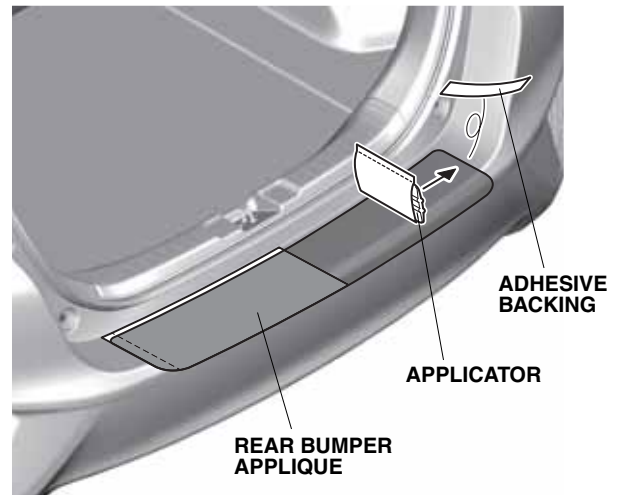
- Place the rear bumper applique on the rear bumper, and align the cutout with the tailgate latch anchor as shown.



- Attach the center of rear bumper applique to the rear bumper.
- Starting from the center, remove the adhesive backing. Using the soft sleeve and applicator, firmly press down on the top section of the rear bumper applique.



- Remove the adhesive backing, and firmly press the rear bumper applique against the rear bumper.



- Repeat steps 5 and 6 on the other side.
- Once the top section is finished, rub the applicator along the round edge. Start in the middle and working outward in small sections. Rub the applicator across and around the bumper 3 to 4 times to prevent air bubbles.

