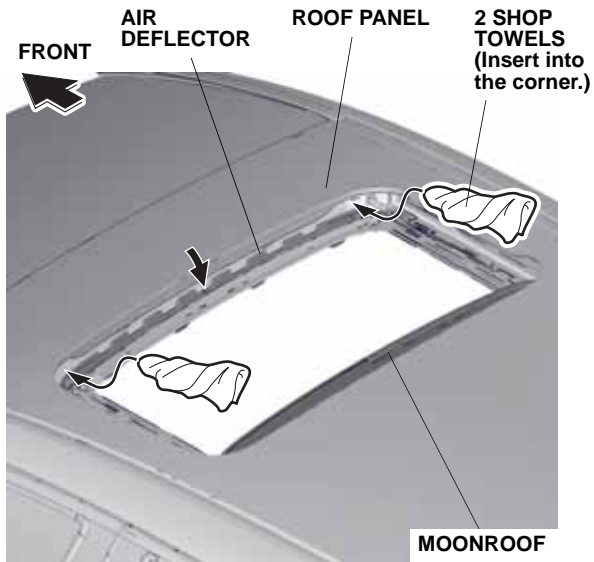


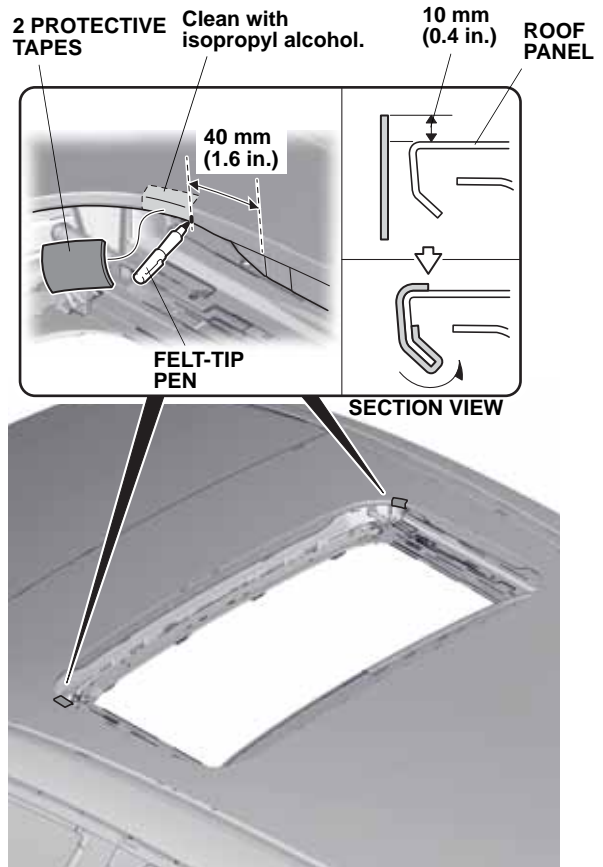


2. Open the moonroof. Roll up two shop towels, and insert them between the roof panel and air deflector to lower the air deflector. Be careful not to damage the air deflector.



QC83001AH

3. Make two marks on the roof panel as shown.



QC83002CH

4. Using isopropyl alcohol on a shop towel, clean the roof panel at each of the two marks you have made, but do not wipe off the marks.
5. Remove the adhesive backing from two of the protective tapes, and attach them to the roof panel at the two marks you made.







