



# INSTALLATION INSTRUCTIONS

Accessory  
**CARGO COVER**

Application  
**2015 FIT**

Publications No.  
**All 51309**  
Issue Date  
**APRIL 2014**

## PARTS LIST

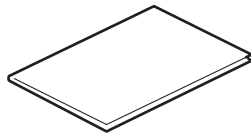
Cargo cover



2 Clips

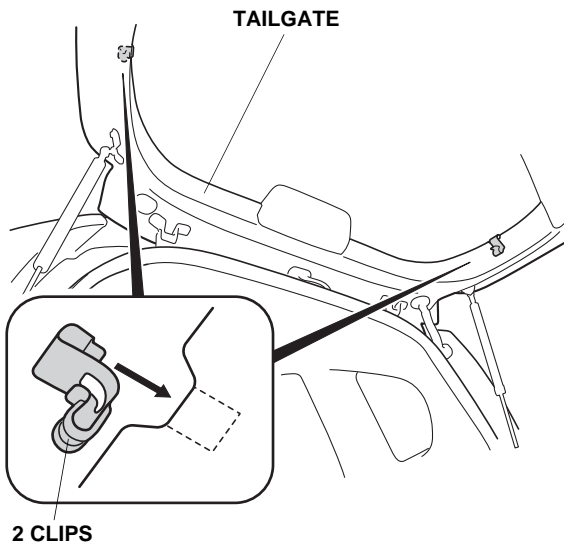


Accessory User's Information Manual

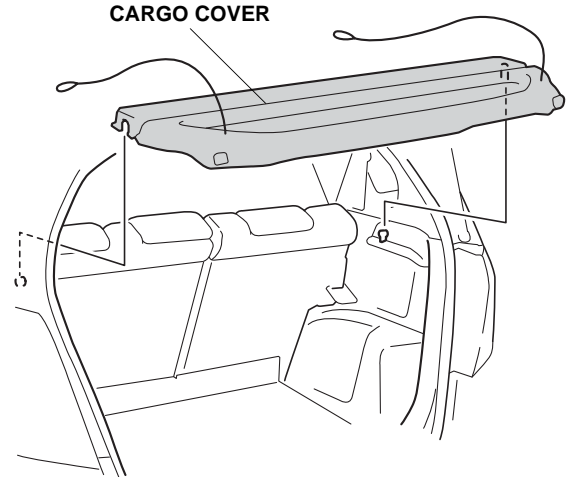


## INSTALLATION

1. Install the two clips to the inside of the tailgate frame.



2. Install the cargo cover in the cargo area.



3. Hook the cords to the clips on the tailgate.

