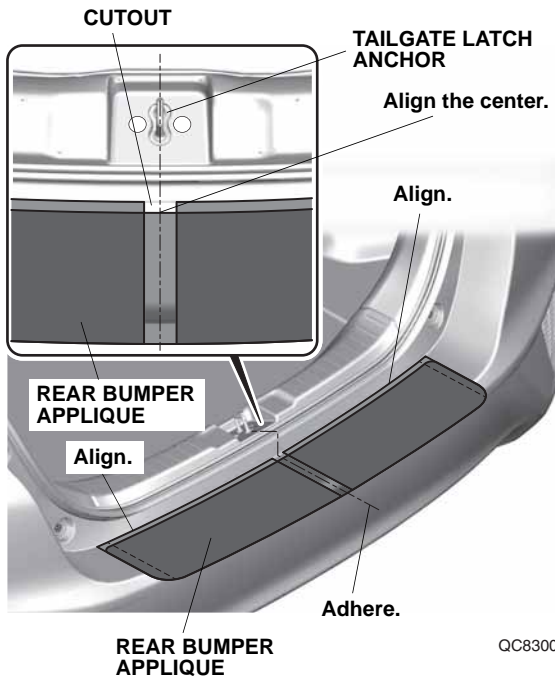
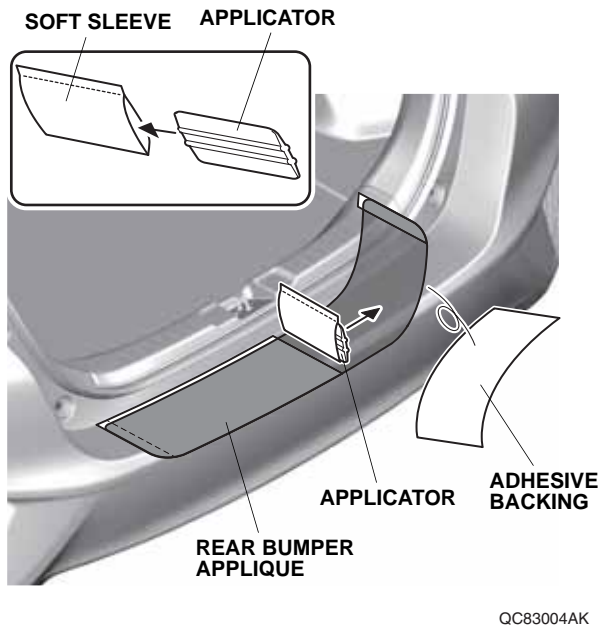




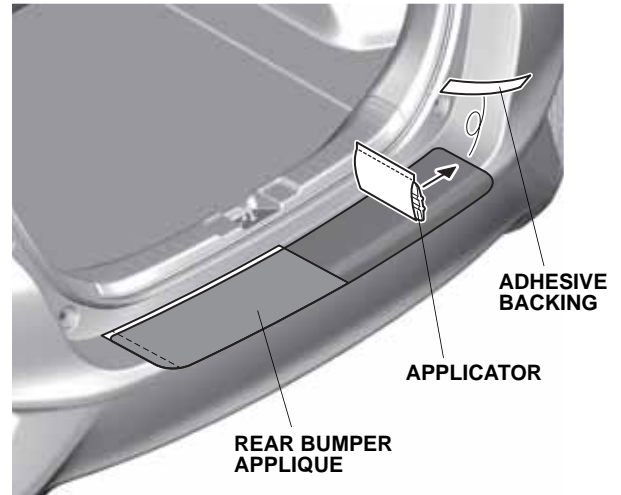
- Place the rear bumper applique on the rear bumper, and align the cutout with the tailgate latch anchor as shown.



- Attach the center of rear bumper applique to the rear bumper.
- Starting from the center, remove the adhesive backing. Using the soft sleeve and applicator, firmly press down on the top section of the rear bumper applique.



- Remove the adhesive backing, and firmly press the rear bumper applique against the rear bumper.



- Repeat steps 5 and 6 on the other side.
- Once the top section is finished, rub the applicator along the round edge. Start in the middle and working outward in small sections. Rub the applicator across and around the bumper 3 to 4 times to prevent air bubbles.

