



**INSTALLATION
INSTRUCTIONS**

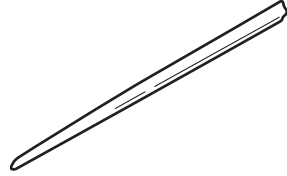
Accessory
BODY SIDE MOLDINGS

Application
2009 FIT

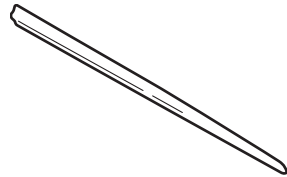
Publications No.
All 39839
Issue Date
AUG 2008

PARTS LIST

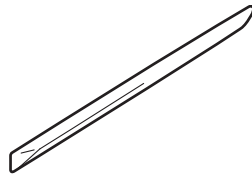
Left front body side molding



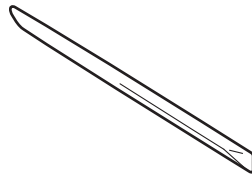
Right front body side molding



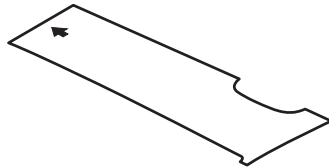
Left rear body side molding



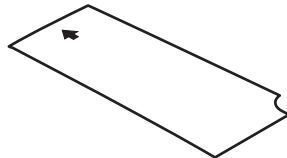
Right rear body side molding



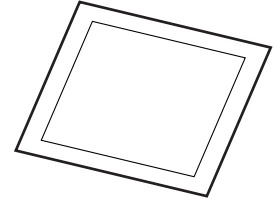
Front template



Rear template



4 Alcohol swabs



TOOLS AND SUPPLIES REQUIRED

- Masking tape
- Rubber roller (EQSE54D)

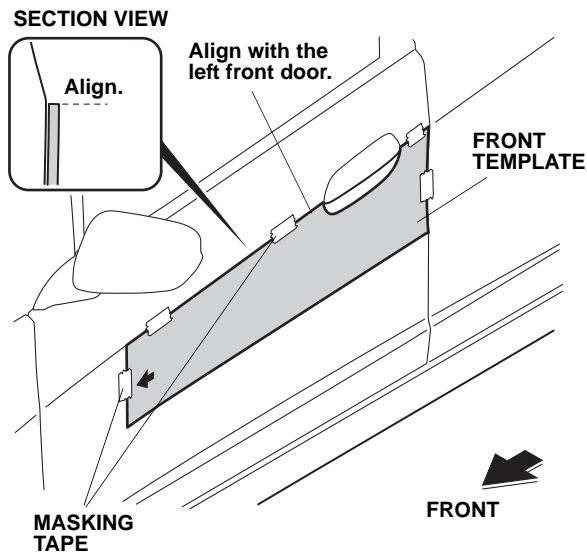
INSTALLATION

NOTE:

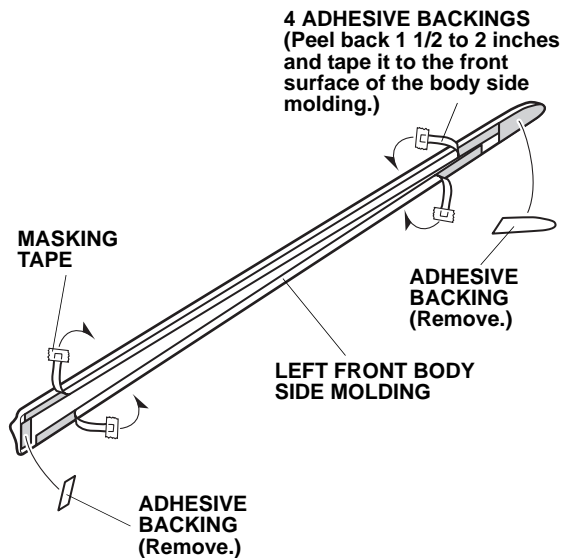
- Be careful not to damage the body paint finish.
- If you're also installing door edge guards (sold separately), install them before you install the body side moldings.
- Body side moldings should be installed only if the ambient air temperature is 15°C (60°F) or above.
- To allow the adhesive to cure, do not wash the vehicle for 24 hours.
- These instructions are for the left side of the vehicle. The same procedure applies to the right side of the vehicle.

Front Door

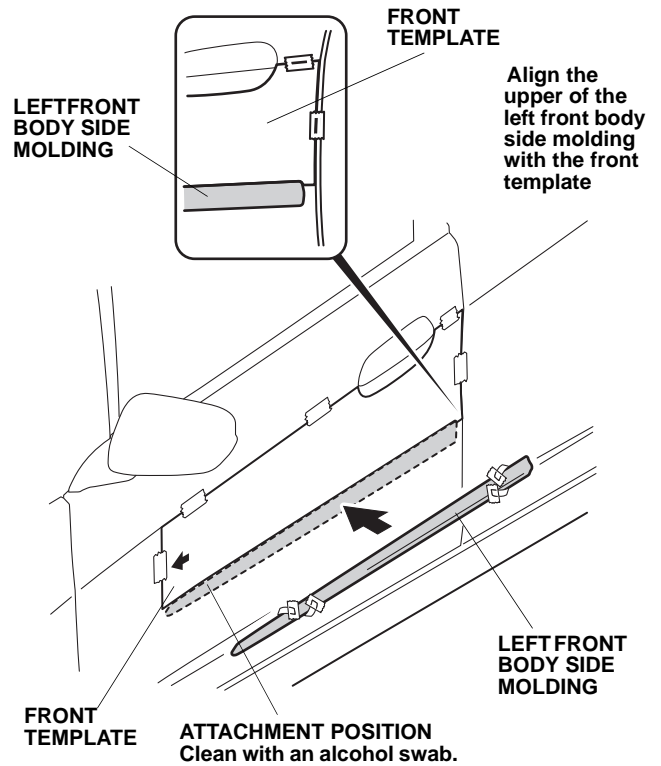
1. Align the front template with the left front door as shown and secure the template with masking tape.



2. Peel back approximately 1 1/2 to 2 inches of adhesive backing from each adhesive tape, and tape the ends to the front surface of the body side molding. remove the small end pieces of the adhesive backing.

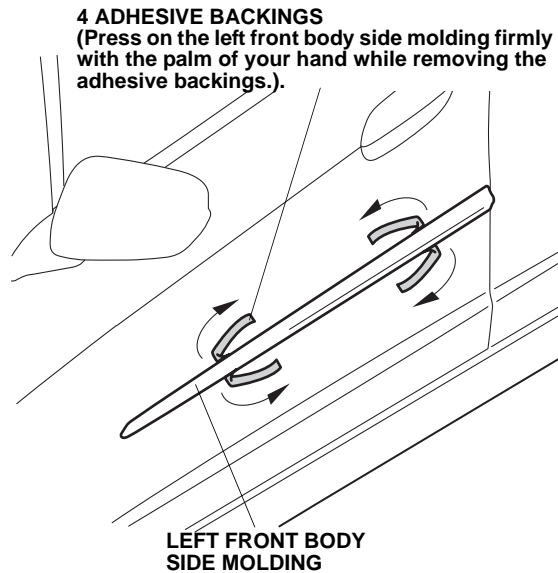


3. Clean the location where the left front body side molding will attach with one alcohol swab.

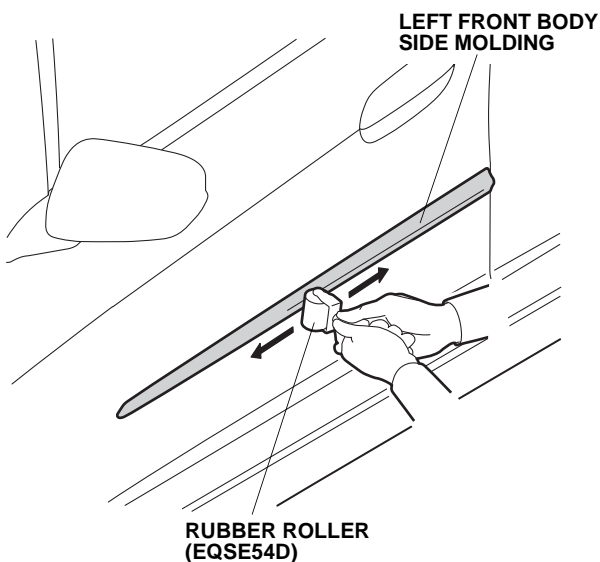


4. Align the left front body side molding with the front template and attach it to the left front door. If the vehicle has door edge film installed, align the end with the door edge film.
5. Remove the front template.

6. Press on the left front body side molding firmly with the palm of your hand while removing the adhesive backings. Remove about 2 to 4 inches at a time while pressing on the molding with the palm of your hand.

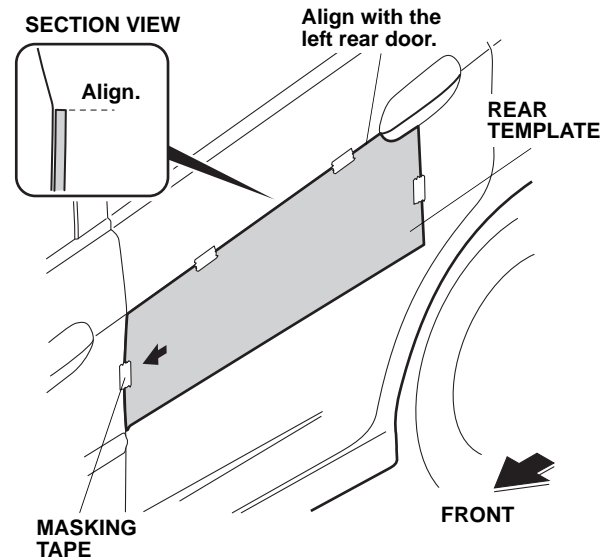


7. Using the rubber roller, apply firm pressure while rolling to set the adhesive.

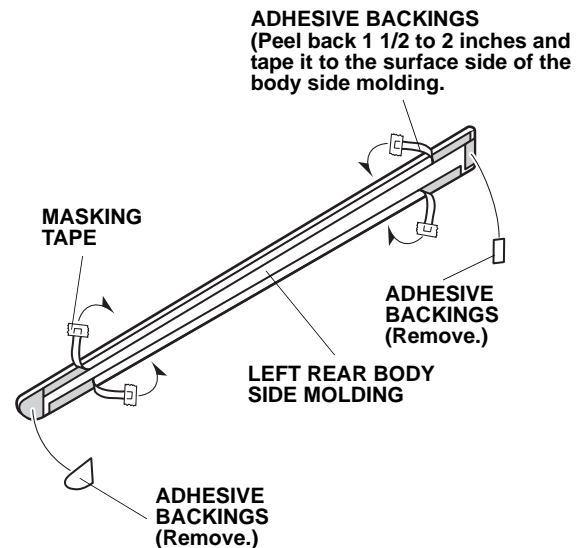


Rear Door

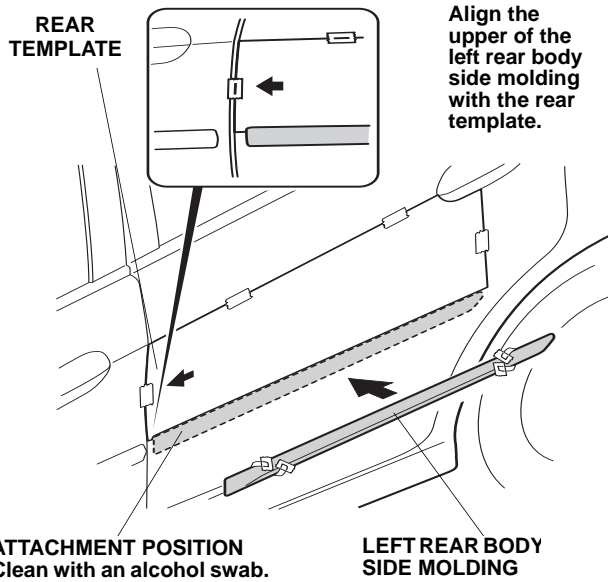
8. Align the rear template with the left rear door as shown and secure the template with masking tape.



9. Peel back approximately 1 1/2 to 2 inches of the adhesive backing from each adhesive tape, and tape the ends to the outside surface of the body side molding. Remove the small end pieces of the adhesive backing.

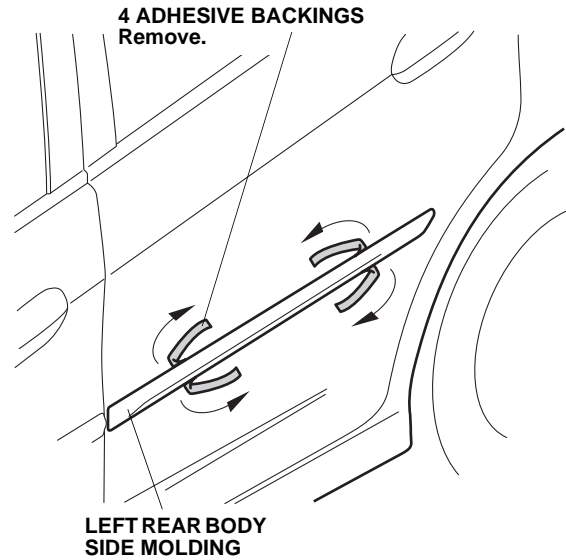


10. Clean the location where the left rear body side molding will attach with one alcohol swab.

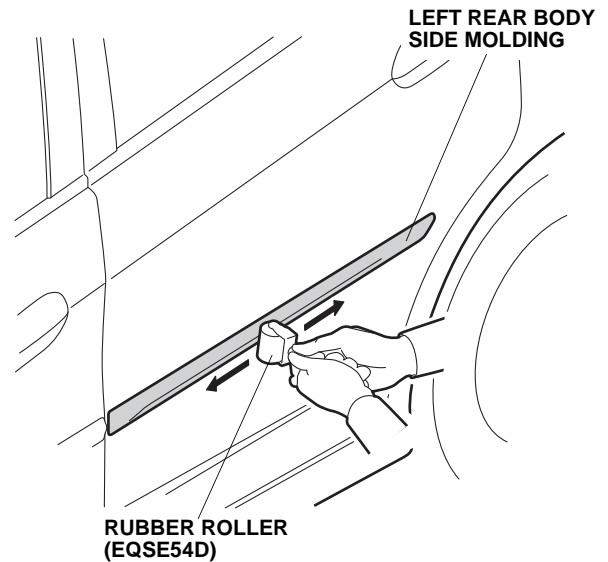


11. Align the left rear body side molding with the rear template and attach it to the left rear door.
12. Remove the rear template.

13. Press on the left rear body side molding firmly with the palm of your hand while removing the adhesive backings. Remove about 2 to 4 inches at a time.



14. Using the rubber roller, apply firm pressure while rolling to set the adhesive.



15. Turn the templates over and repeat steps 1 thru 14 to install the body side moldings on the right side of the vehicle.