



**INSTALLATION INSTRUCTIONS**

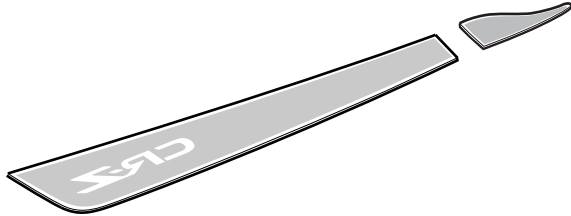
Accessory  
**HPD SIDE STICKER KIT**  
 P/N 75773-F27S-A00

Application  
**2011-14 CR-Z**

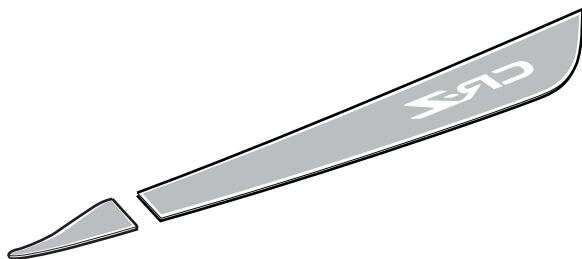
Publications No.  
**All 50659**  
 Issue Date  
**NOV 2013**

**PARTS LIST**

HPD Right Side Stickers



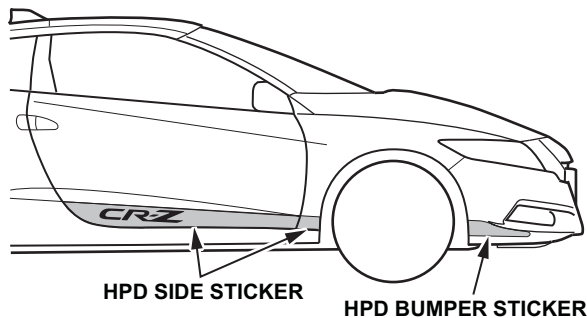
HPD Left Side Stickers



**TOOLS AND SUPPLIES REQUIRED**

- Scale
- Marker
- Razor knife
- Squeegee
- Masking Tape
- 3M Protective tape application solution
- Isopropyl alcohol

**Illustration of the HPD Side Sticker Installed on the Vehicle**



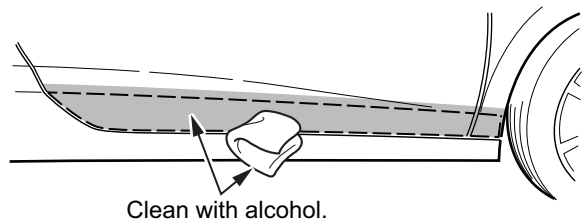
**INSTALLATION**

**NOTE:**

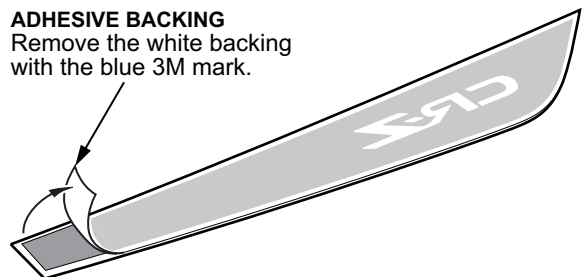
- Do not damage the body paint finish.
- This kit should be installed only if the ambient temperature is 60°F (15°C) or above.
- To allow the adhesive to cure, do not wash the vehicle for 24 hours. Please advise the customer.

**Installing the HPD Side Sticker**

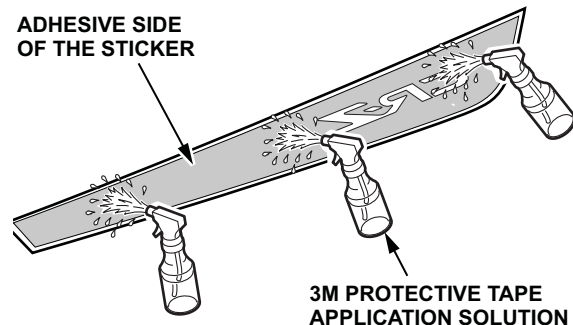
1. Using isopropyl alcohol on a shop towel, thoroughly clean the door and fender where the side sticker will attach.



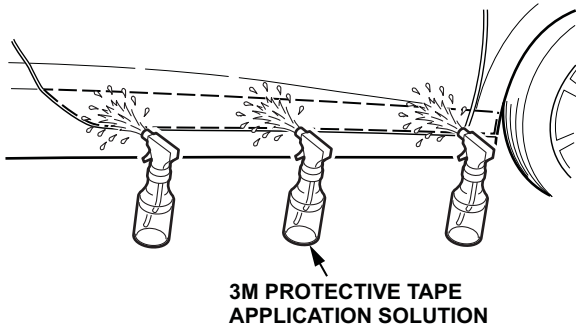
2. Remove the adhesive backing from the HPD side sticker.



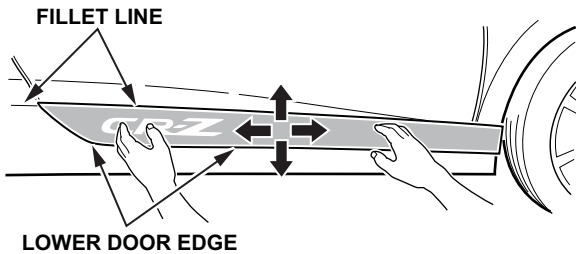
3. Spray 3M protective tape application solution onto the back of HPD side sticker.



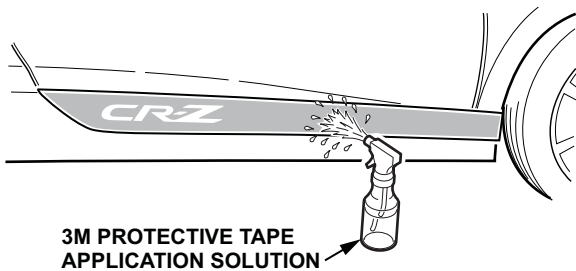
4. Spray 3M protective tape application solution along the area which you just cleaned.



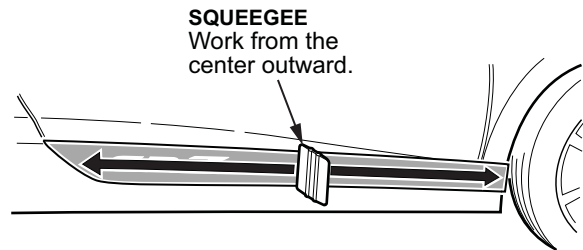
5. Place the HPD side sticker on the door and fender. Align the sticker with the door fillet line and lower door edge as shown.



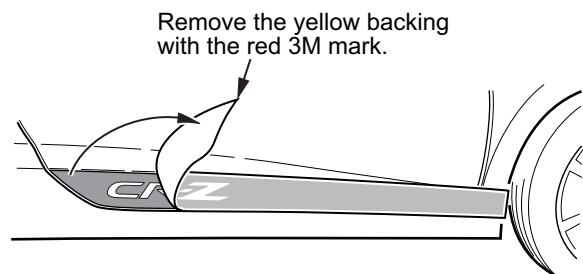
6. Spray the HPD sticker with 3M solution.



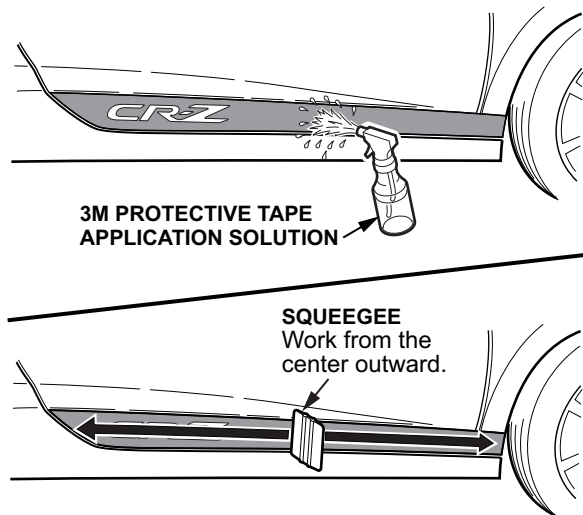
7. Starting from the center and working outward, use a squeegee to smooth out the sticker and remove any bubbles.



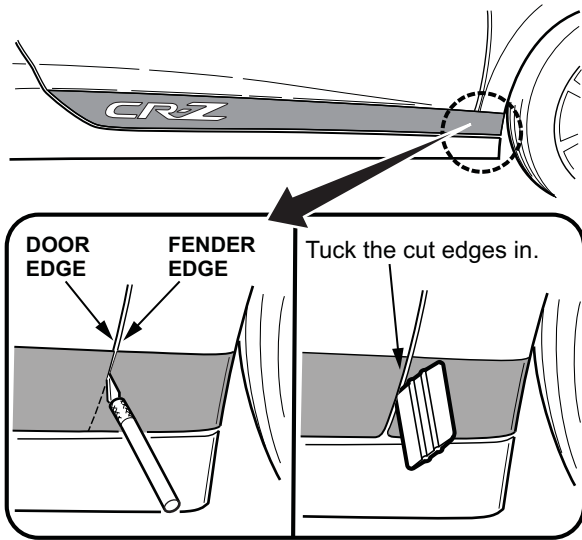
8. Carefully remove the protective tape from the front side of the sticker. Start with a corner of the tape and peel it back at a 130 degree angle.



9. Spray the HPD sticker with 3M solution, and use a squeegee to remove any bubbles.

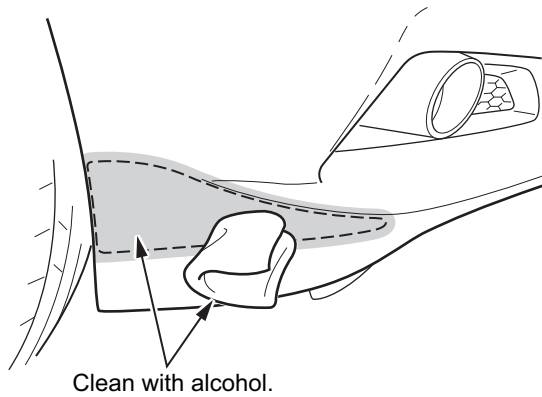


10. Using a razor knife, cut the HPD sticker between the door edge and fender edge. Then tuck the sticker behind the door and fender using a squeegee.

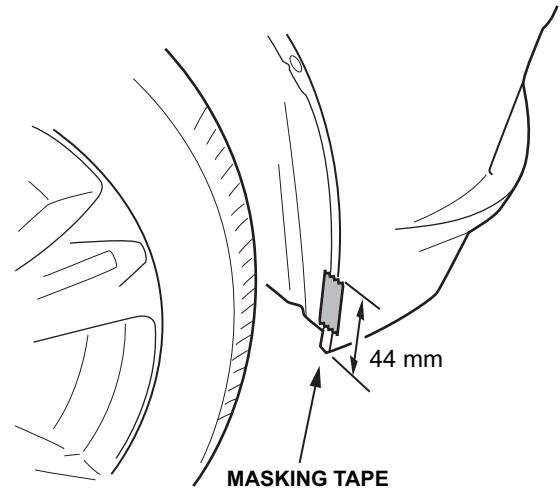


### Installing the HPD Bumper Sticker

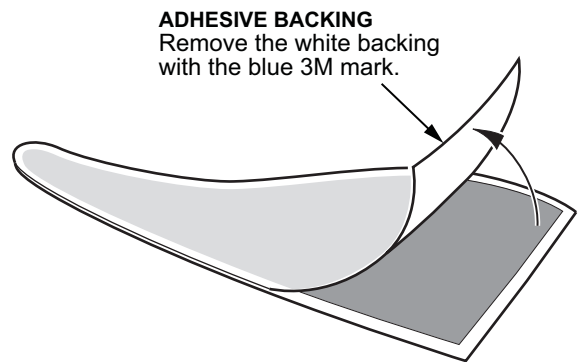
11. Using isopropyl alcohol on a shop towel, thoroughly clean the bumper where the HPD bumper sticker will attach.



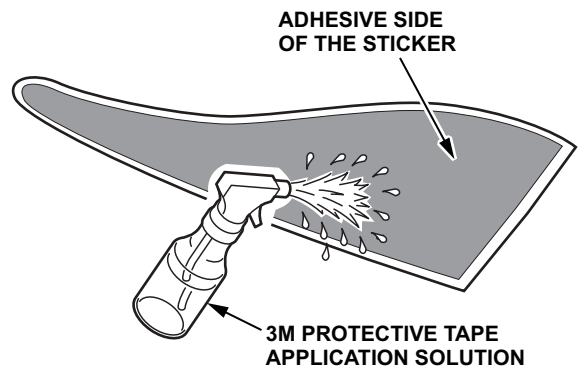
12. Attach a strip of masking tape to the bumper in the area shown.



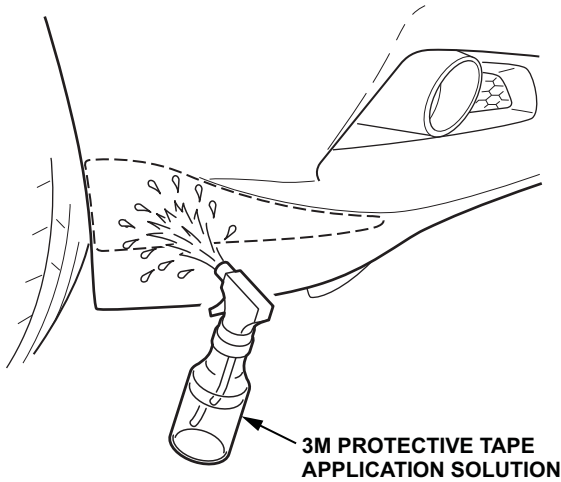
13. Remove the adhesive backing from the HPD bumper sticker.



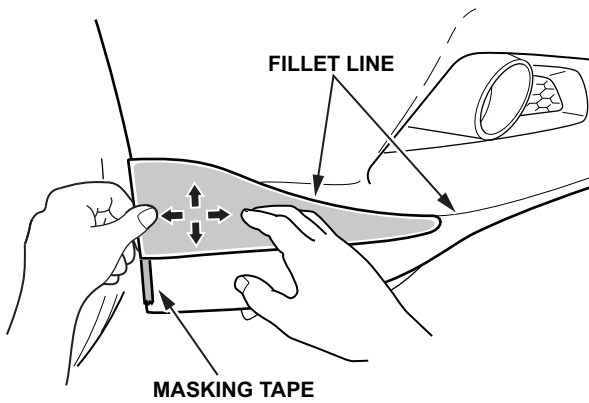
14. Spray 3M protective tape application solution onto the back of the HPD bumper sticker.



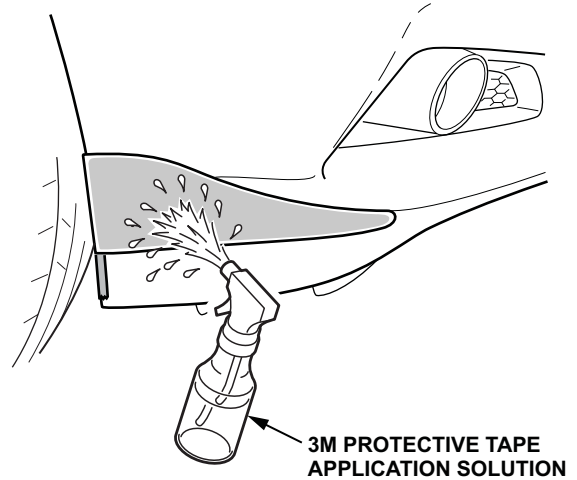
15. Spray 3M protective tape application solution on the area of the bumper that you just cleaned.



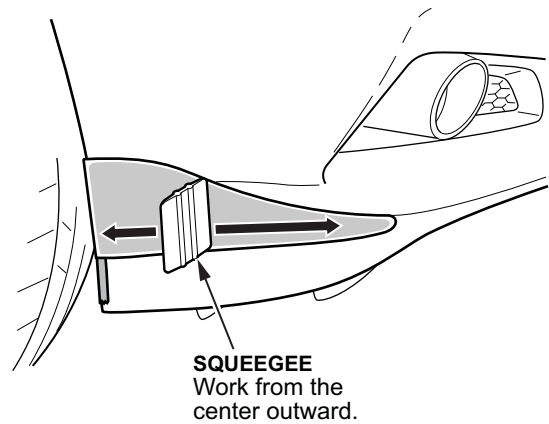
16. Place the HPD bumper sticker on the bumper, and align the sticker with masking tape and the bumper fillet line.



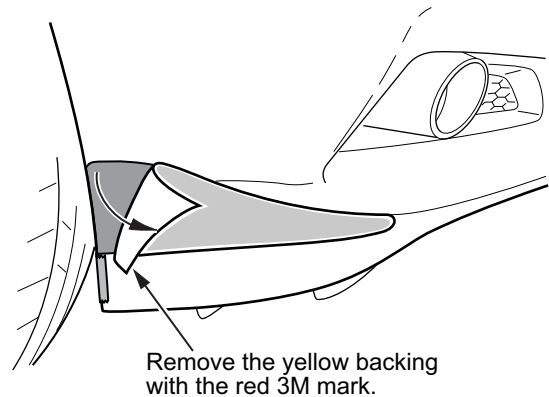
17. Spray the HPD bumper sticker with 3M solution.



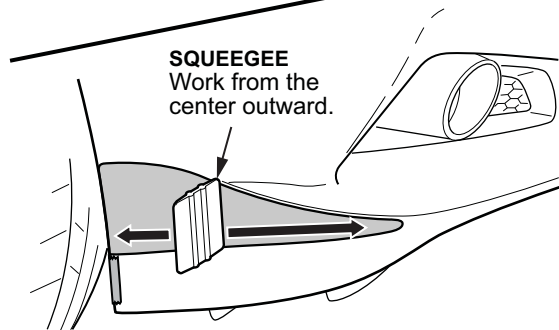
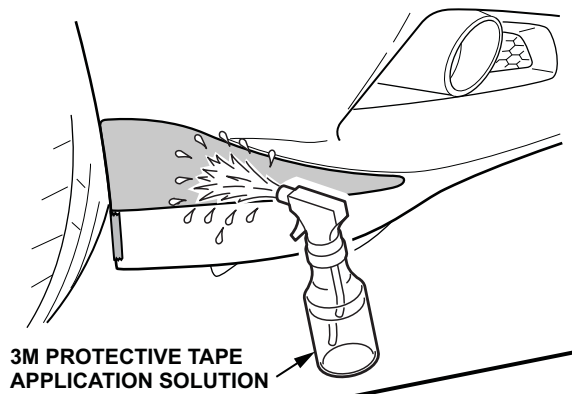
18. Starting from the center and working outward, use a squeegee to smooth out the HPD bumper sticker and remove any bubbles.



19. Carefully remove the protective tape from the front side of the sticker. Start with a corner of the tape and peel back at a 130 degree angle.



20. Spray the HPD sticker with 3M solution, and use a squeegee to remove any bubbles.



21. Repeat steps 1 through 20 to install on the other side.