



## INSTALLATION INSTRUCTIONS

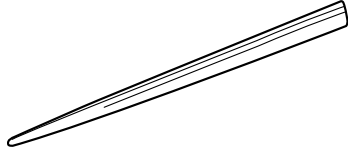
Accessory  
BODY SIDE MOLDINGS

Application  
2013 CR-Z

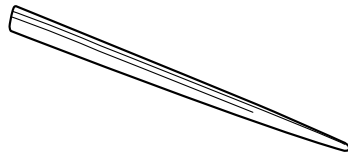
Publications No.  
All 13100  
Issue Date  
NOV 2012

### PARTS LIST

Left front body side molding



Right front body side molding



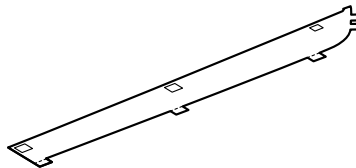
Left rear body side molding



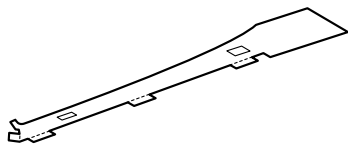
Right rear body side molding



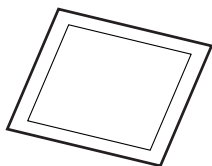
Front template



Rear template



4 Alcohol wipes



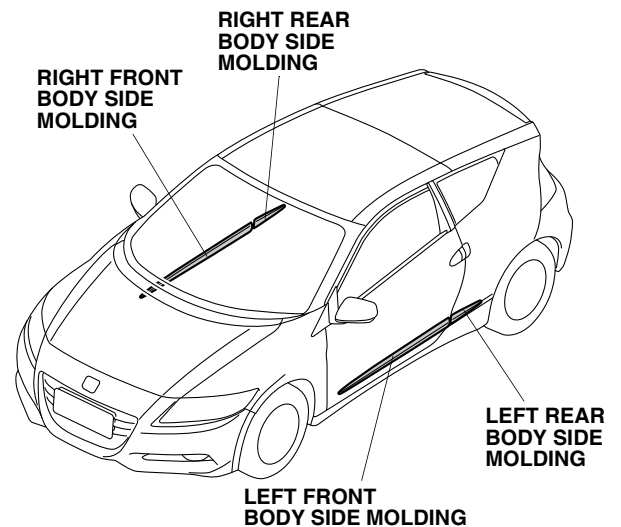
### TOOL AND SUPPLIES REQUIRED

Masking tape

Rubber roller (MHLE54D)

(Available through the Honda Tool and Equipment program. On the iN, click on: Service/Service Bay/Tool and Equipment Program, then enter the number under "Search." Or call 888-424-6857.)

### Illustration of the Body Side Moldings on the Vehicle



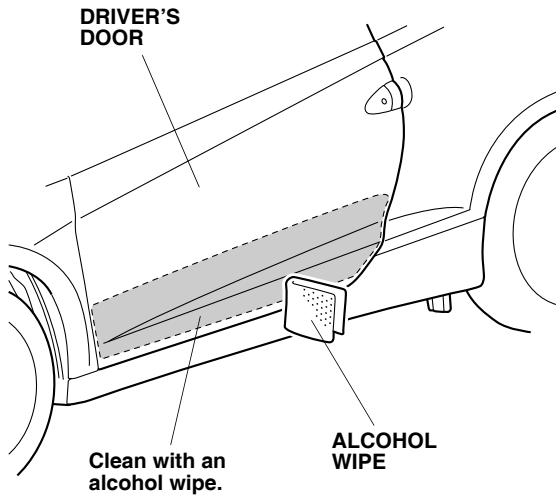
### INSTALLATION

**Customer Information:** The information in this installation instruction is intended for use only by skilled technicians who have the proper tools, equipment, and training to correctly and safely add equipment to your vehicle. These procedures should not be attempted by "do-it-yourselfers."

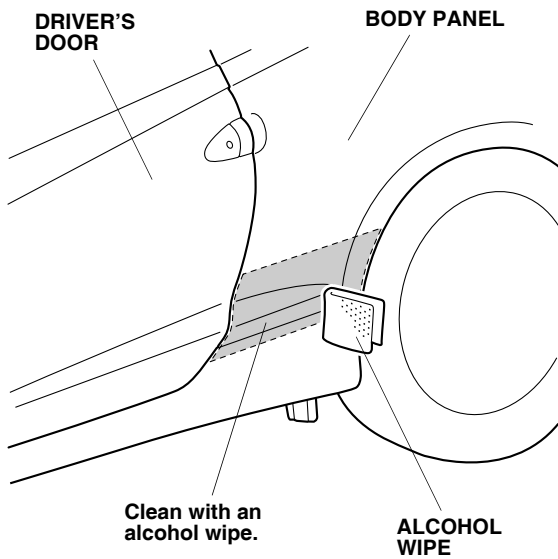
#### NOTE:

- Be careful not to damage the vehicle paint finish.
- This kit should be installed only if the ambient air temperature is 15°C (60°F) or above.
- To allow the adhesive to cure, do not wash the vehicle for 24 hours. Please advise the customer.

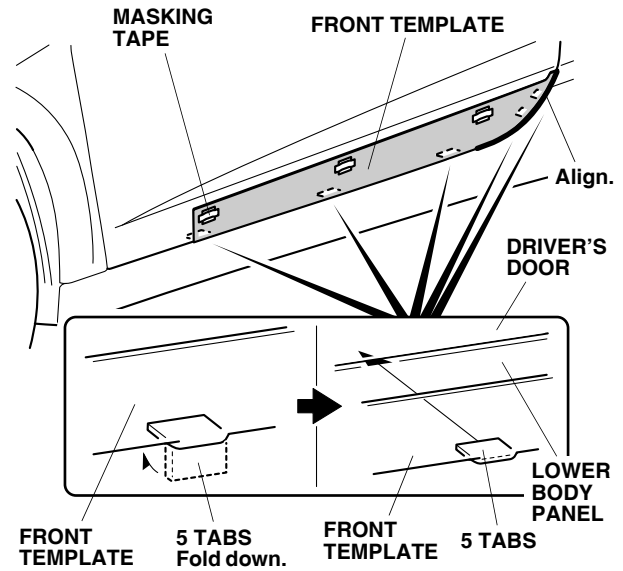
1. Using one alcohol wipe, thoroughly clean the driver's door where the left front body side molding will attach.



2. Using one alcohol wipe, thoroughly clean the driver's body panel where the left rear body side molding will attach.

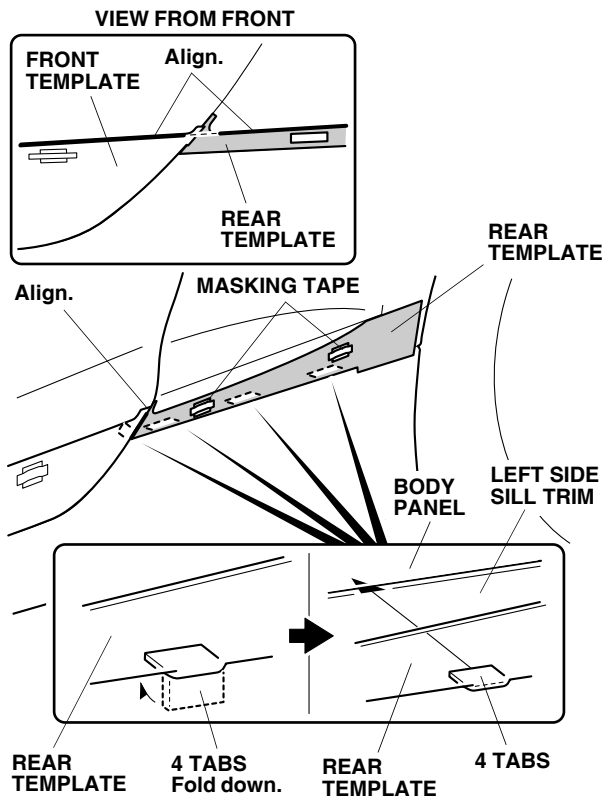


3. Locate and fold down the five tabs on the front template. Insert the five tabs on the front template between the driver's door and the lower body panel.



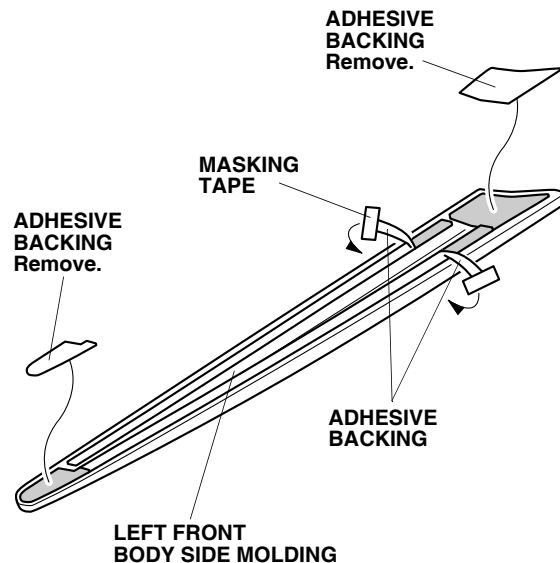
4. Align the front template to the driver's door and attach it with masking tape.

5. Locate and fold down the four tabs on the rear template. Insert the four tabs on the rear template between the body panel and the left side sill trim.

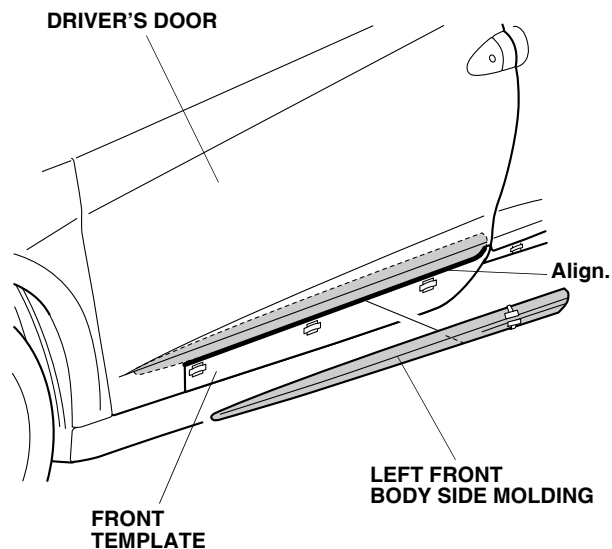


6. Align the rear template to the body panel and attach it with masking tape.

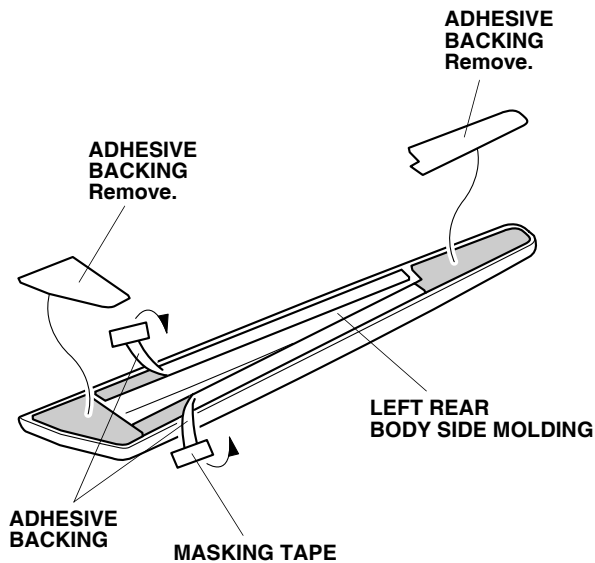
7. Peel back approximately 1½ to 2 inches of adhesive backing from each adhesive strip, and tape the ends to the front surface of the body side molding. Remove the end pieces of the adhesive backing.



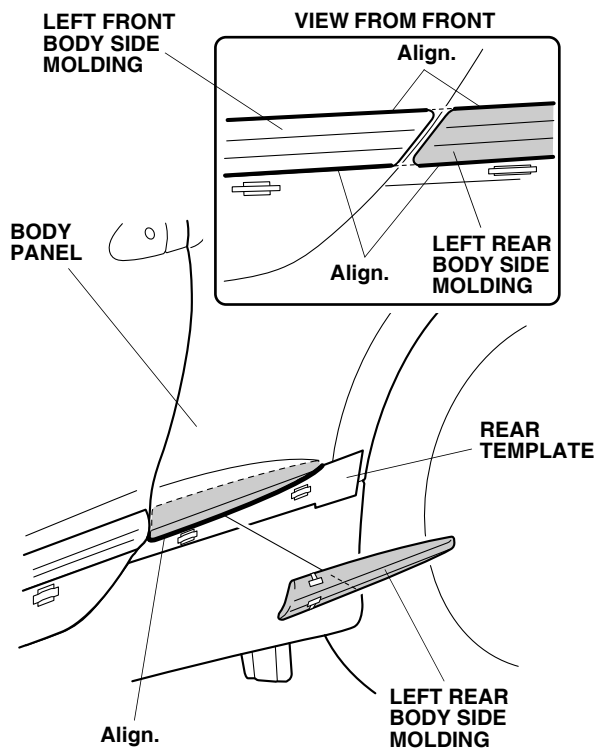
8. Align the left front body side molding with the front template, and attach it to the driver's door.



9. Peel back approximately 1½ to 2 inches of adhesive backing from each adhesive strip, and tape the ends to the front surface of the body side molding. Remove the end pieces of the adhesive backing.

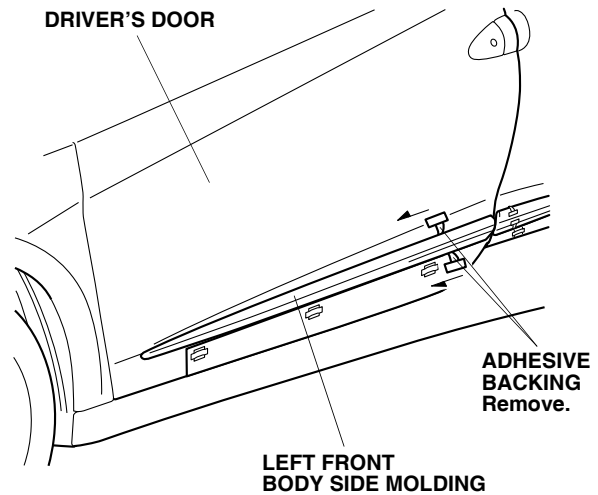


10. Align the left rear body side molding with the rear template, and attach it to the body panel.

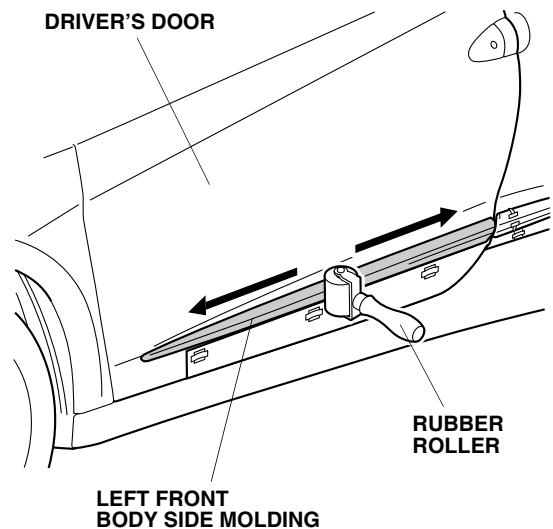


11. Remove the rear template.

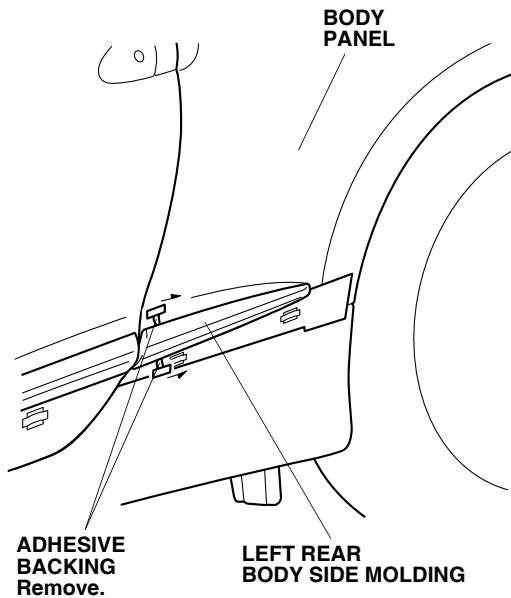
12. While pressing the body side molding firmly with the palm of your hand, remove the adhesive backings.



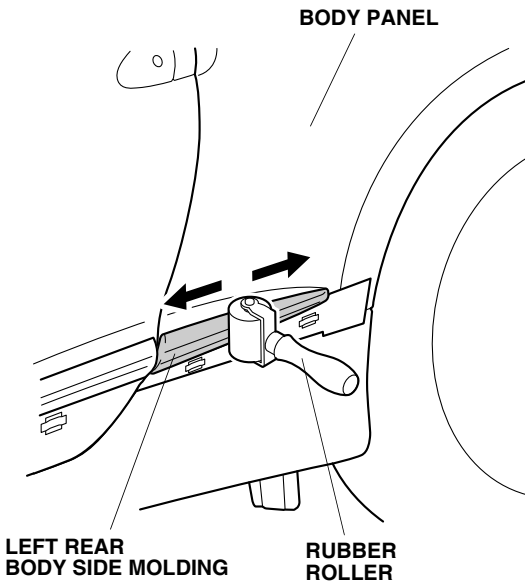
13. Using a rubber roller, apply pressure against the body side molding and roll from one end to the other.



14. While pressing the body side molding firmly with the palm of your hand, remove the adhesive backings.



15. Using a rubber roller, apply pressure against the body side molding and roll from one end to the other.



16. Turn the template over, and repeat steps 1 through 15 to install the body side moldings on the right side of the vehicle.