

Germain Honda of College Hills



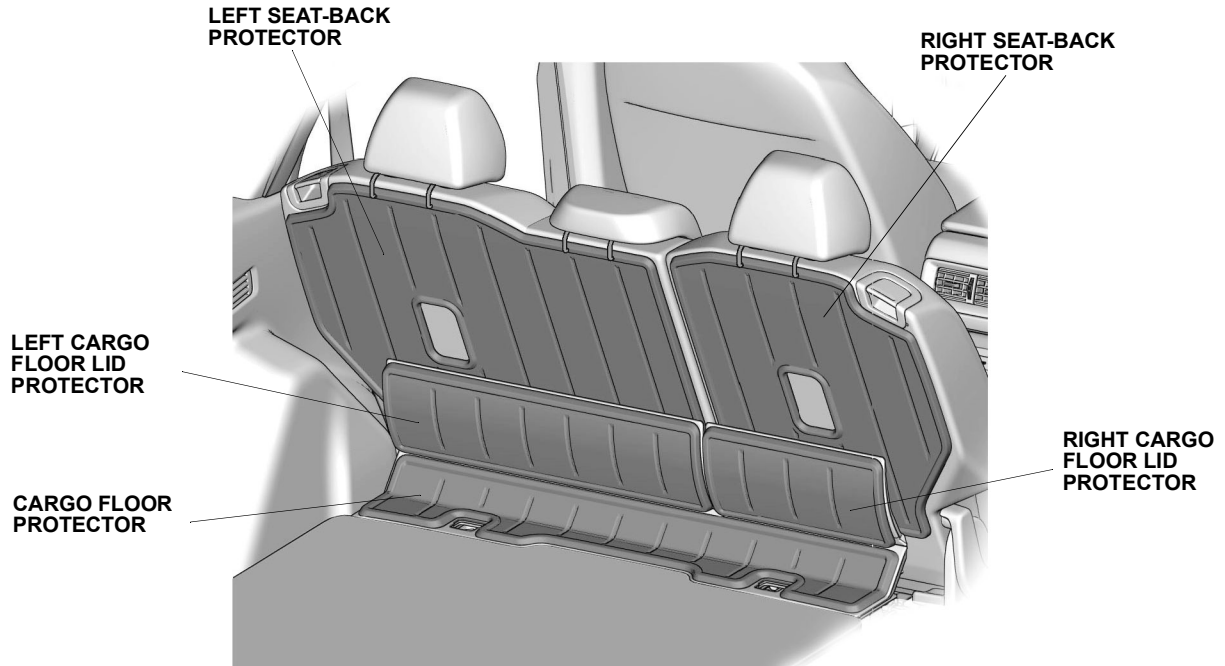
INSTALLATION INSTRUCTIONS

Accessory
REAR SEAT-BACK PROTECTORS

Application
2023 CR-V MODEL SERIES

Publications No.
VERSION 1
Issue Date
AUG 2022

GENERAL VIEW



QLN0101AG

FOR YOUR SAFETY (Read carefully.)

Warning Symbols

Safety: Your safety, and the safety of others, is important. To help you make informed decisions about service procedures, we have provided safety messages where appropriate. Of course, it is not practical or possible to warn you about all the hazards associated with servicing a vehicle - you must use your own good judgment.

You will find important safety messages preceded by one of the following symbols:

*All symbols are not used in all installation instructions.

⚠ DANGER

You will be killed or seriously hurt if you do not follow the instructions.

⚠ WARNING

You can be killed or seriously hurt if you do not follow the instructions.

⚠ CAUTION

You can be hurt if you do not follow the instructions.

NOTICE

Gives advice to prevent damage to the product, vehicle, the environment or other property.

NOTE

Gives helpful information or instructions to be followed when installing this product.



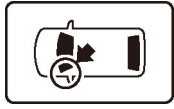
Indicates a prohibited action.

Germain Honda of College Hills

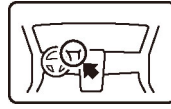
Procedure and Location Icons

These icons indicate the work location and the worker's point of view.

*All icons are not used in all installation instructions.



The location on the vehicle.



The location in the vehicle.
(Instrument panel.)



Wear eye protection.



Wear heavy gloves.



Use an assistant.



Place the part on a blanket.



Work perpendicular.



Remove any burrs.



Use touch-up paint and allow to dry.



Tighten to the specified torque.



Apply firm pressure while rolling, especially at the ends, to set the adhesive.



Press firmly.



Clean with isopropyl alcohol.



Return the original part to the customer.
(Do not reuse.)

Safety: General

- Be careful not to damage the vehicle or the parts.
- The illustrations may differ slightly from the actual accessory.

Germain Honda of College Hills

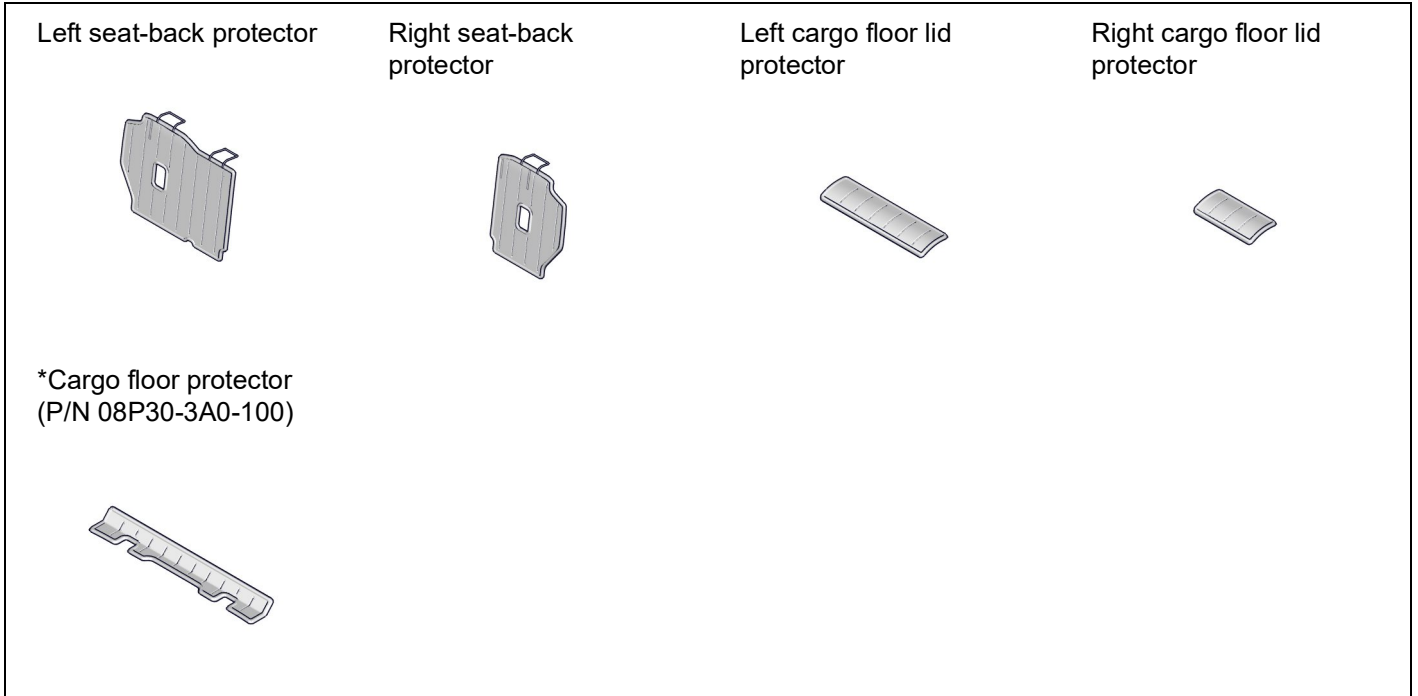
PARTS LIST

Rear Seat-back Protectors Kit

(P/N 08P30-3A0-100)

(P/N 08P30-3A0-100A)

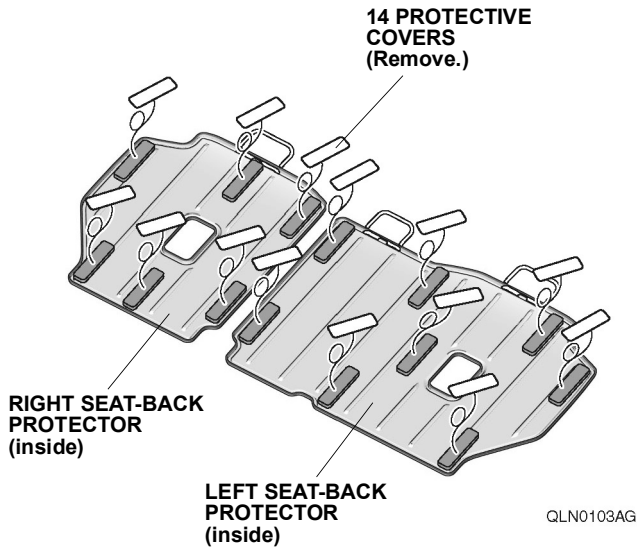
(*: The part differs depending on the kit.)



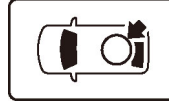
Germain Honda of College Hills

INSTALLATION

1. Remove the protective covers.

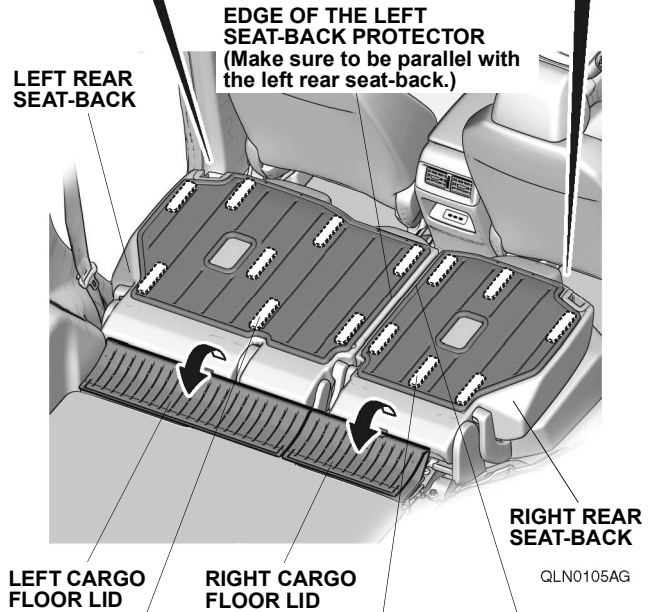
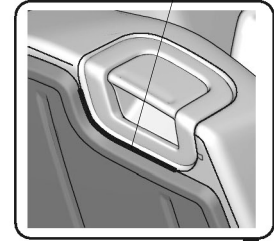
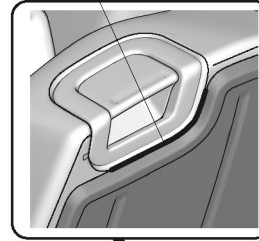


2. Fold down the left and right rear seat-backs.



Line up with the end of the curved surface.

Line up with the end of the curved surface.



8 FASTENERS (Attach the fasteners by firmly pressing them back and forth and left and right.)



EDGE OF THE RIGHT SEAT-BACK PROTECTOR (Make sure to be parallel with the right rear seat-back.)

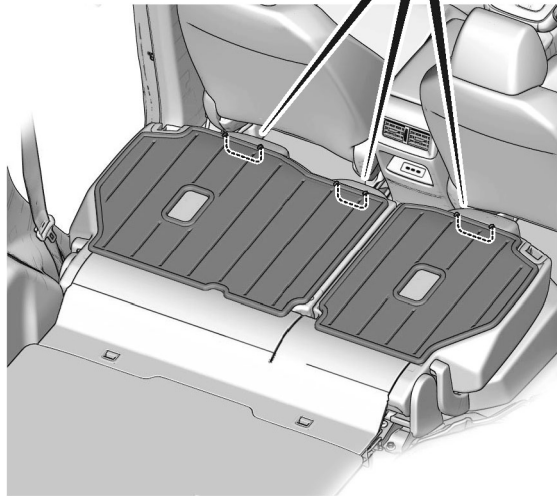
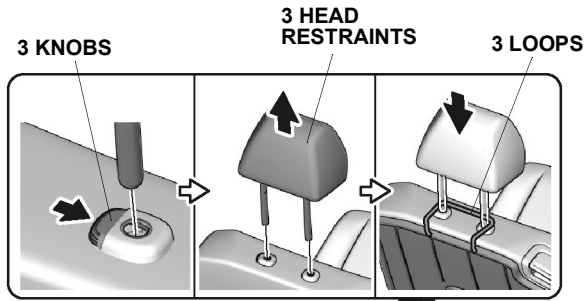
6 FASTENERS (Attach the fasteners by firmly pressing them back and forth and left and right.)



3. Peel back the left and right cargo floor lids.
4. Secure the left and right seat-back protectors.

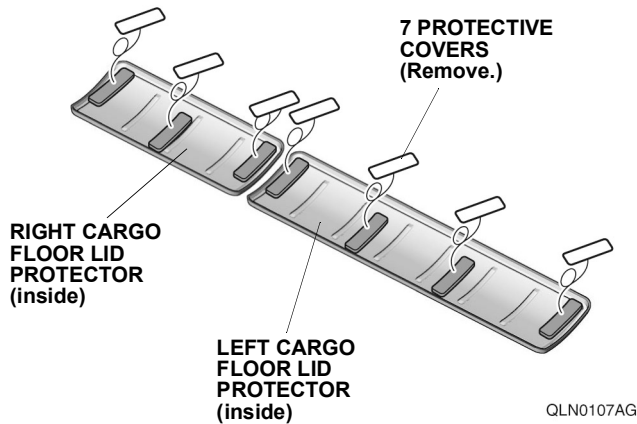
Germain Honda of College Hills

5. Install the loops.



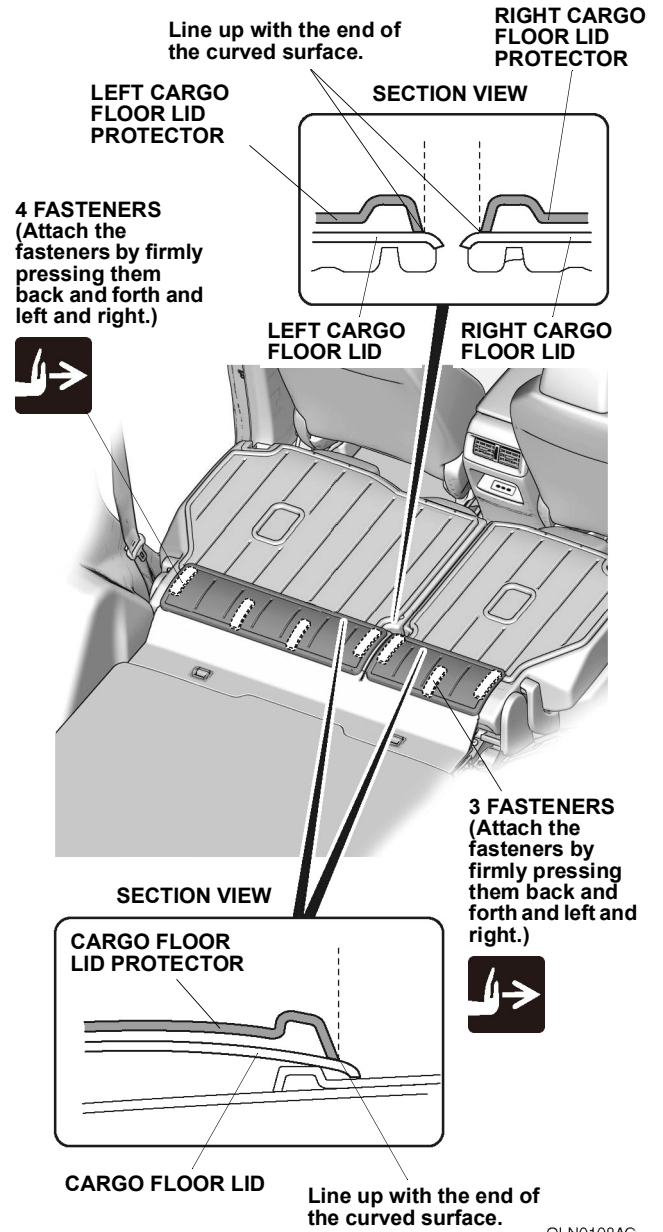
QLN0104AG

6. Remove the protective covers.



QLN0107AG

7. Install the left and right cargo floor lid protectors.



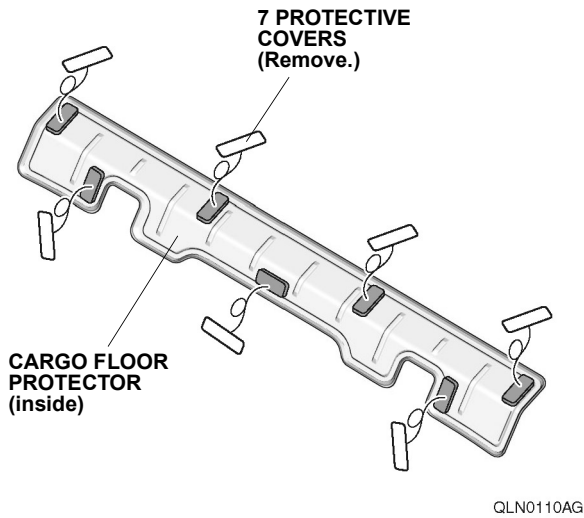
QLN0108AG

Germain Honda of College Hills

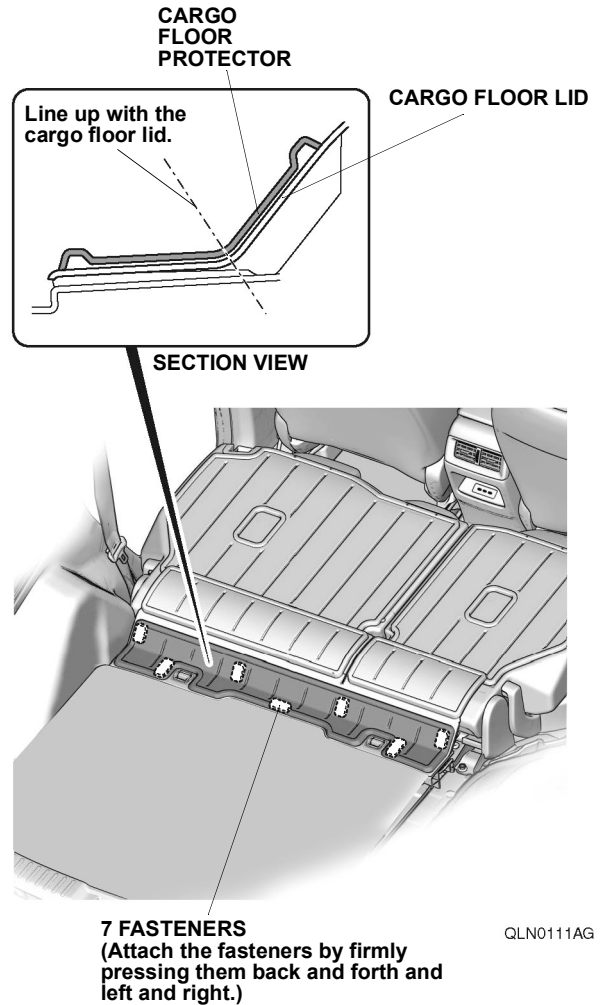
8. Choose one of these options.

• Petrol models	Go to step 9
• Hybrid models	Go to step 11

9. Remove the protective covers.



10. Install the cargo floor protector.

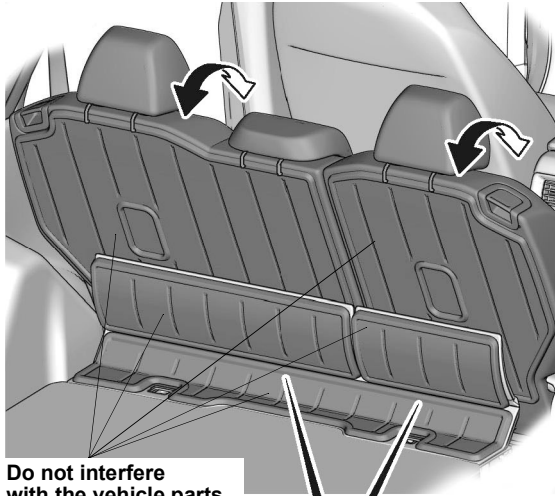


Germain Honda of College Hills

11. Check the installation condition.

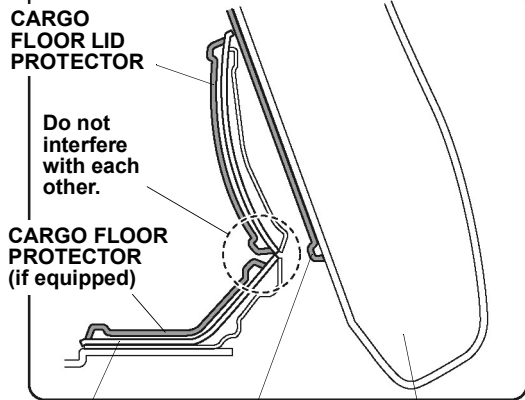
NOTE

Adjust the position of the protectors if necessary.



Do not interfere with the vehicle parts.

SECTION VIEW



CARGO FLOOR LID PROTECTOR

Do not interfere with each other.

CARGO FLOOR PROTECTOR (if equipped)

CARGO FLOOR LID

SEAT-BACK PROTECTOR

REAR SEAT-BACK

QLN0112AG

12. Check that all parts are installed properly.