

Germain Honda of College Hills



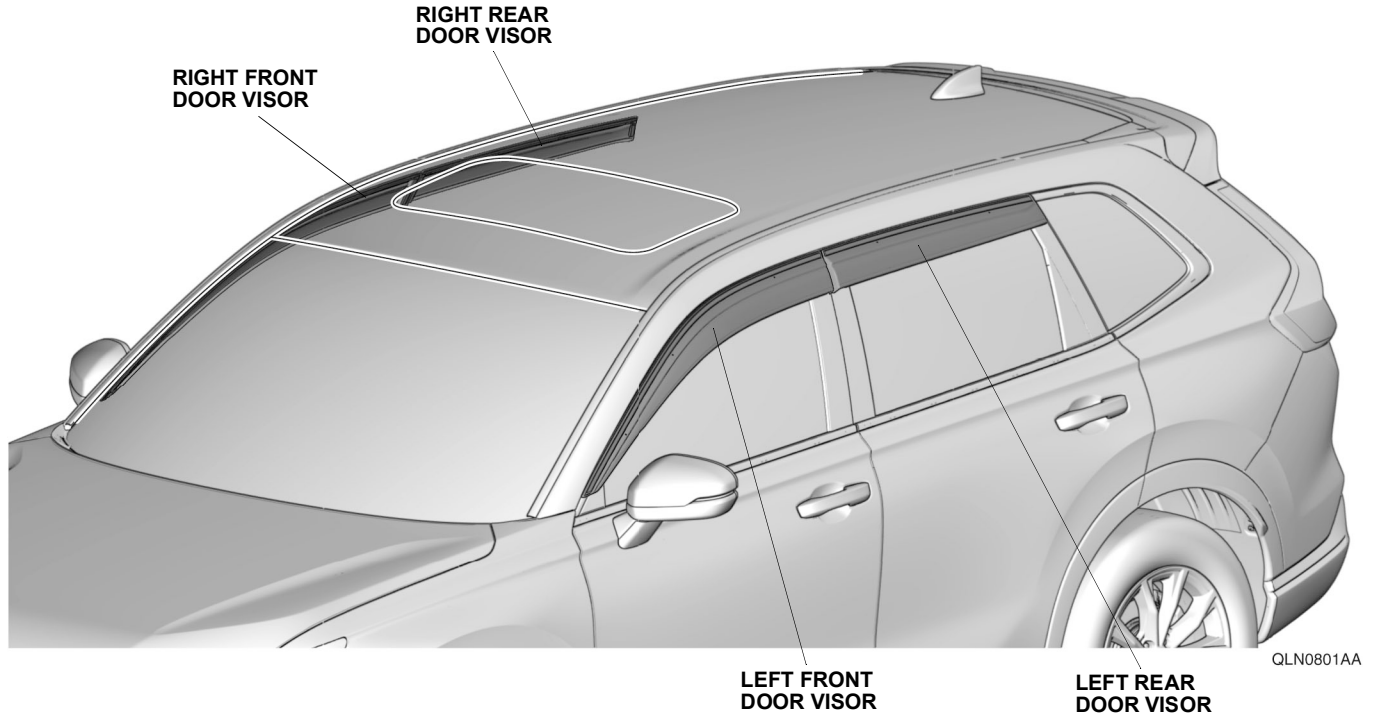
INSTALLATION INSTRUCTIONS

Accessory
DOOR VISORS

Application
2023 CR-V
MODEL SERIES

Publications No.
VERSION 1
Issue Date
AUG 2022

GENERAL VIEW



FOR YOUR SAFETY (Read carefully.)

Warning Symbols

Safety: Your safety, and the safety of others, is important. To help you make informed decisions about service procedures, we have provided safety messages where appropriate. Of course, it is not practical or possible to warn you about all the hazards associated with servicing a vehicle - you must use your own good judgment.

You will find important safety messages preceded by one of the following symbols:

*All symbols are not used in all installation instructions.

⚠ DANGER

You will be killed or seriously hurt if you do not follow the instructions.

⚠ WARNING

You can be killed or seriously hurt if you do not follow the instructions.

⚠ CAUTION

You can be hurt if you do not follow the instructions.

NOTICE

Gives advice to prevent damage to the product, vehicle, the environment or other property.

NOTE

Gives helpful information or instructions to be followed when installing this product.



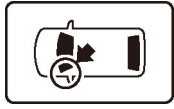
Indicates a prohibited action.

Germain Honda of College Hills

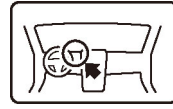
Procedure and Location Icons

These icons indicate the work location and the worker's point of view.

*All icons are not used in all installation instructions.



The location on the vehicle.



The location in the vehicle.
(Instrument panel.)



Wear eye protection.



Wear heavy gloves.



Use an assistant.



Place the part on a blanket.



Work perpendicular.



Remove any burrs.



Use touch-up paint and allow to dry.



Tighten to the specified torque.



Apply firm pressure while rolling, especially at the ends, to set the adhesive.



Press firmly.



Clean with isopropyl alcohol.



Return the original part to the customer.
(Do not reuse.)

Safety: General

- Visors may not be legal in all states. Please check the laws of your state.
- Observe all safety notes and precautions described in the service information, in addition to those described in this Installation Instruction. Be extremely careful for your safety and the safety of others.
- Be careful not to damage the vehicle or the parts.
- The illustrations may differ slightly from the actual accessory.

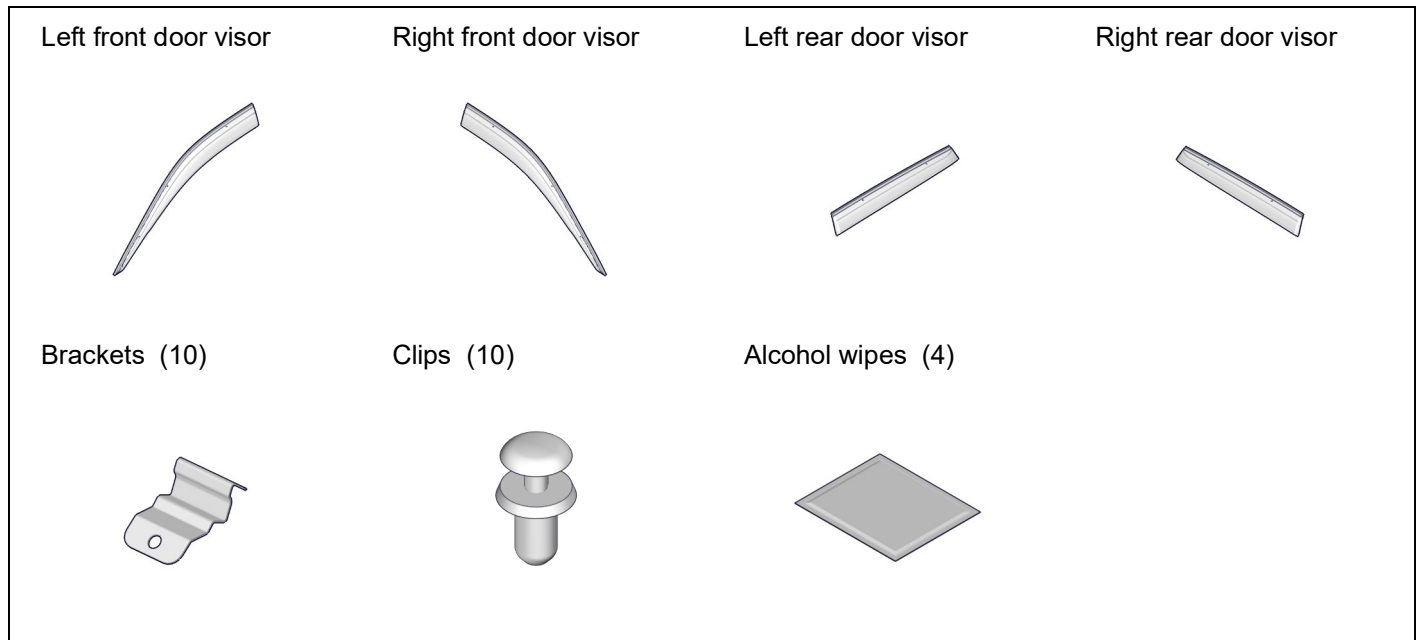
Safety: Accessory

- Do not shock or impact the accessories.
- Be careful this accessory can easily be damaged by solvent or contact cleaner.
- Always use the parts and tools specified in the installation instructions.
- Do not install the accessory on a dirty surface or in direct sunlight.
- Make sure the ambient air temperature is 60°F (15°C) or above when installing accessories that use adhesive material.
- When pressing the accessory firmly with the palm of your hand, be careful not to damage it or the vehicle.
- When applying adhesive material, make sure it is lined up properly before attaching. Once the adhesive material touches the surface, do not try to remove it. If you do, you could damage the part.
- Do not wash the vehicle for 24 hours to allow the adhesive to cure.

Germain Honda of College Hills

PARTS LIST

Door Visors Kit (P/N 08R04-3A0-100)



REQUIRED TOOLS AND SUPPLIES

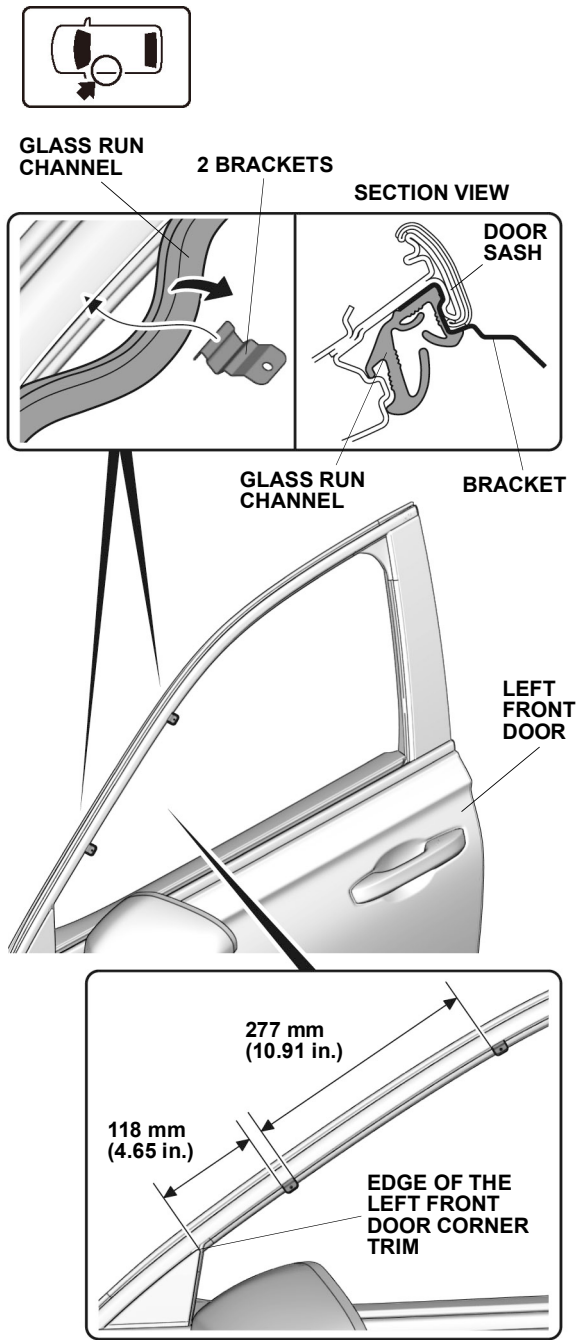
- Masking tape
- Ruler
- Soft towel

The following tool is available through the Honda Tool and Equipment Program:
Rubber Roller (T/N MHLE54D)

Germain Honda of College Hills

INSTALLATION

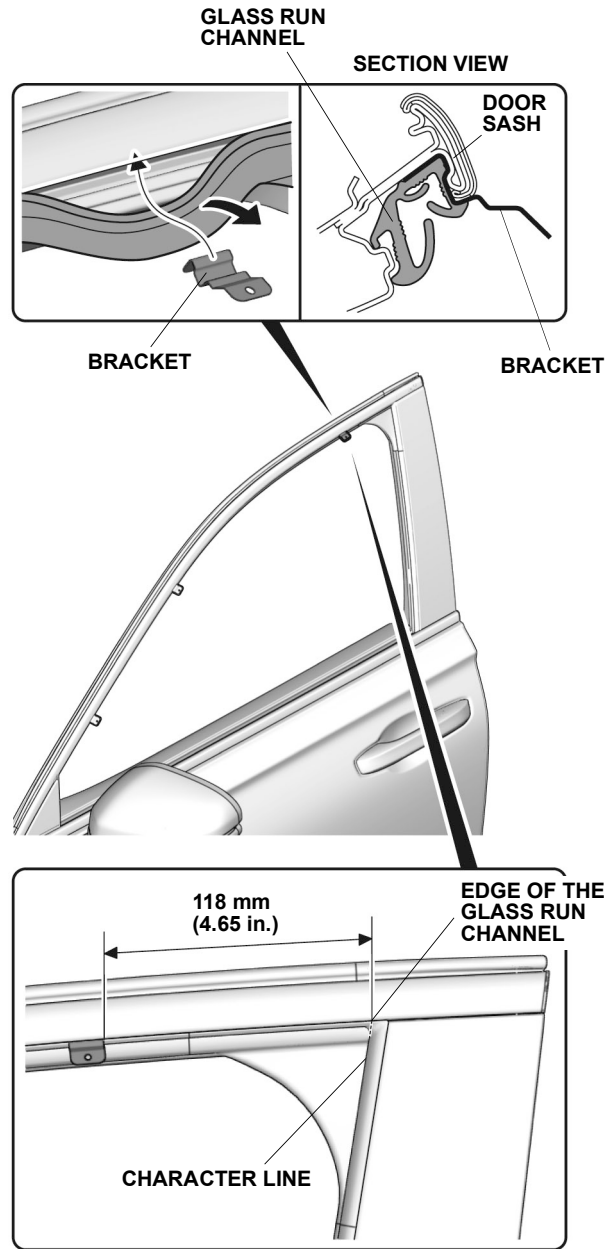
1. Fully open the left front window.



QLN0802AA

2. Install the brackets.

3. Install the bracket.



QLN0803AA

4. Install the glass run channel.

NOTE

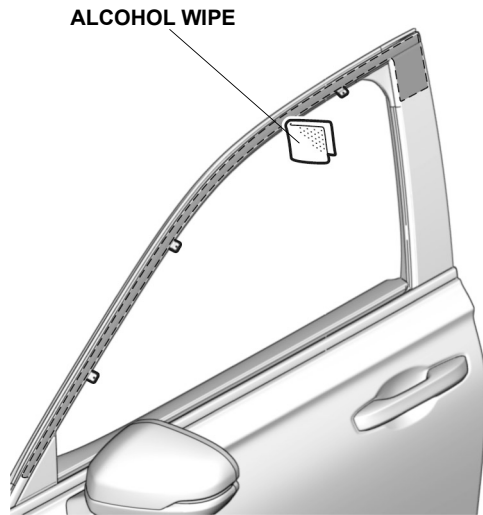
Make sure to correctly install the glass run channel.

Germain Honda of College Hills

5. Clean the attaching area.

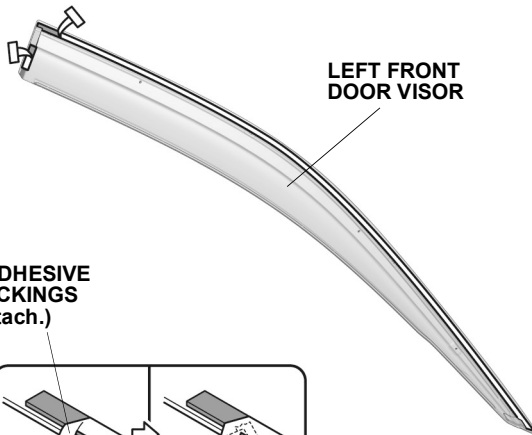
NOTE

Allow area to dry thoroughly.



QLN0804AA

6. Temporarily attach the adhesive backings.

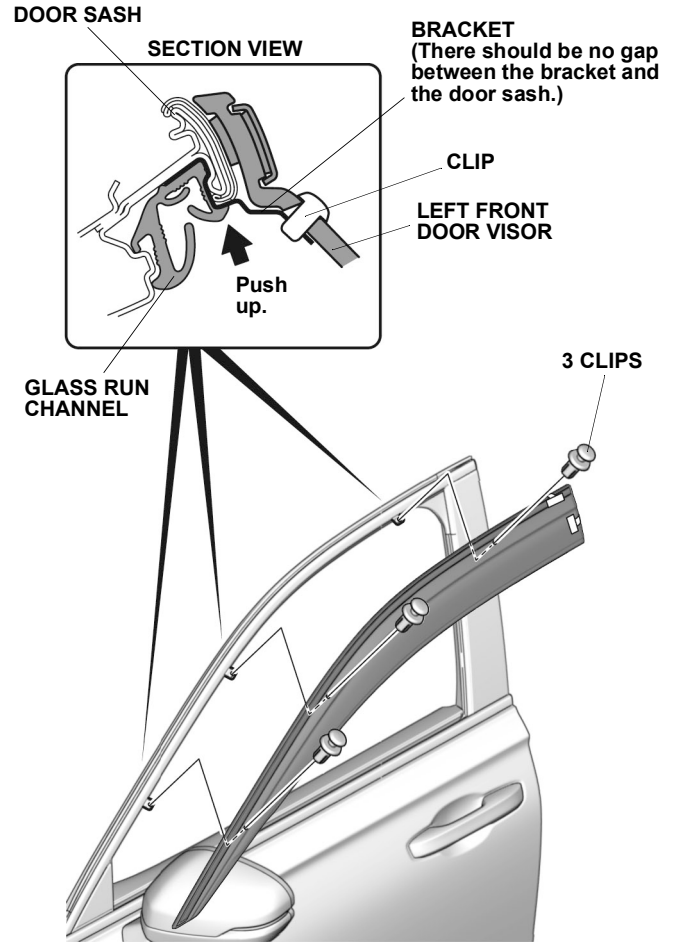


QLN0805AA

7. Install the left front door visor.

NOTE

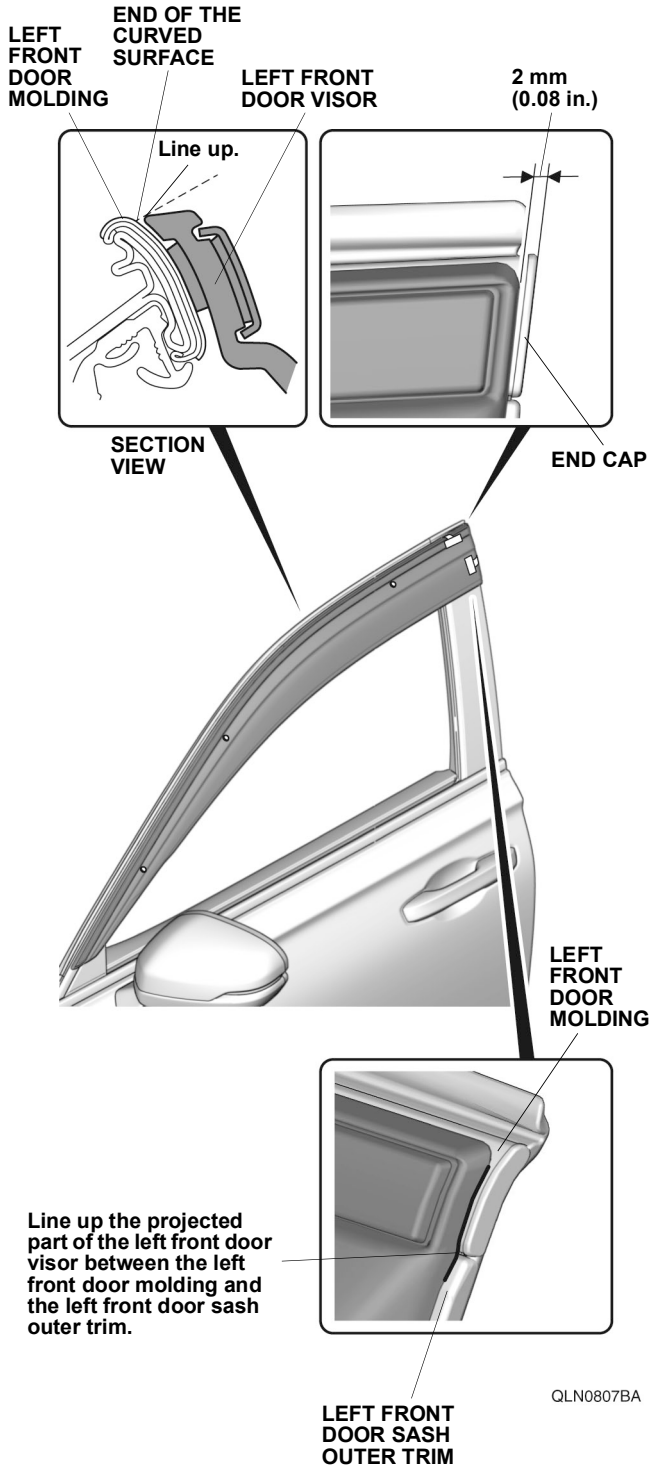
Be extremely careful when installing the clips; they cannot be reinstalled after installation.



QLN0806AA

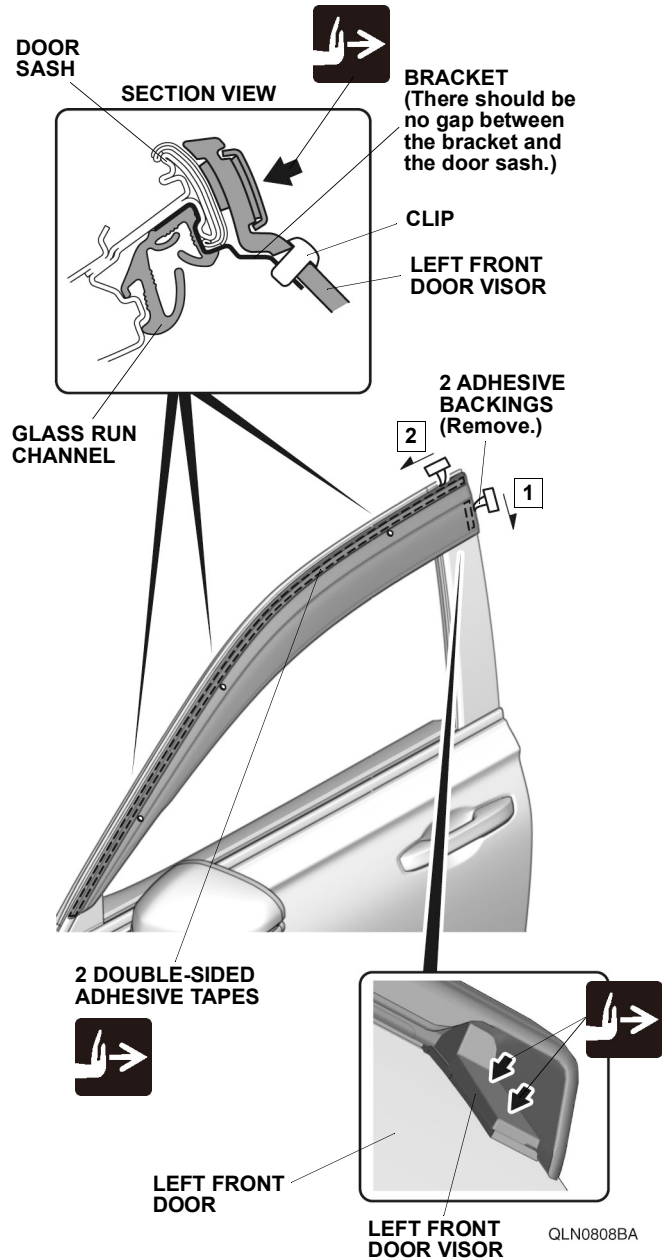
Germain Honda of College Hills

8. Line up the left front door visor.



9. Secure the left front door visor.

NOTE
<ul style="list-style-type: none"> • Make sure that the door visor is installed in the correct position. • Secure in the order shown. • Check the position of the double-sided adhesive tapes and make sure to press firmly.



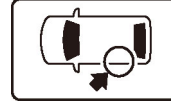
Germain Honda of College Hills

10. Secure the left front door visor.



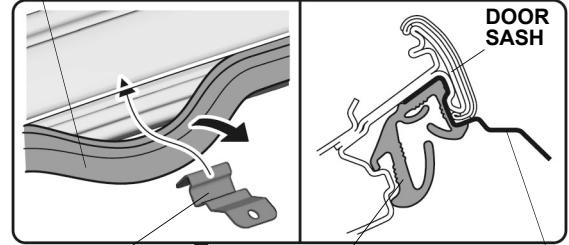
QLN0809AA

11. Fully open the left rear window.



GLASS RUN CHANNEL

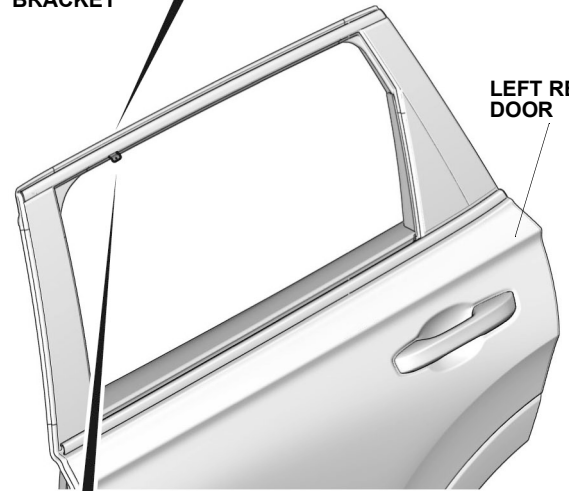
SECTION VIEW



BRACKET

GLASS RUN CHANNEL

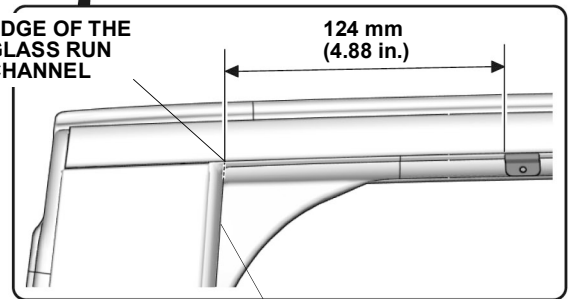
BRACKET



LEFT REAR DOOR

EDGE OF THE GLASS RUN CHANNEL

124 mm (4.88 in.)



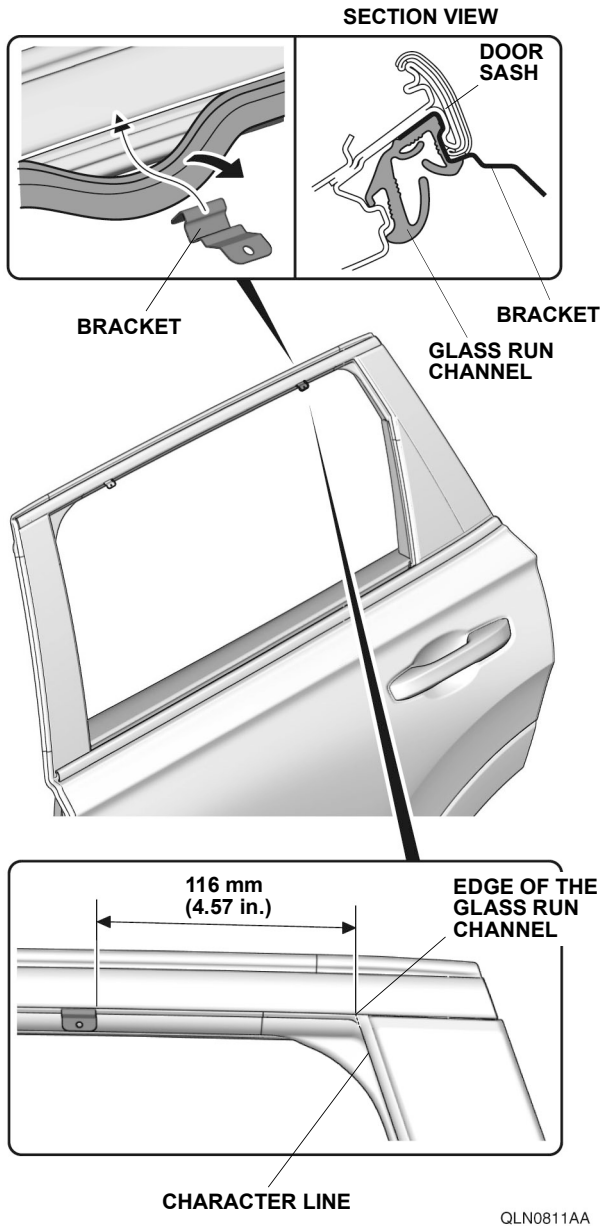
CHARACTER LINE

QLN0810AA

12. Install the bracket.

Germain Honda of College Hills

13. Install the bracket.

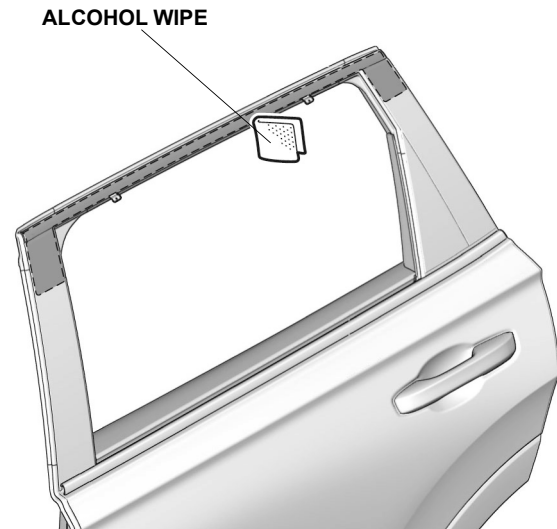


14. Install the glass run channel.

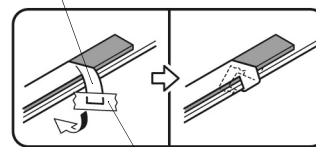
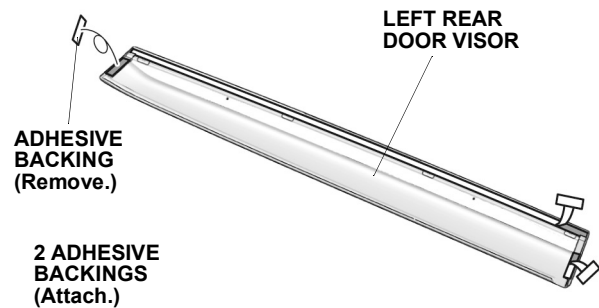
NOTE
Make sure to correctly install the glass run channel.

15. Clean the attaching area.

NOTE
Allow to dry thoroughly.



16. Temporarily attach the adhesive backings.



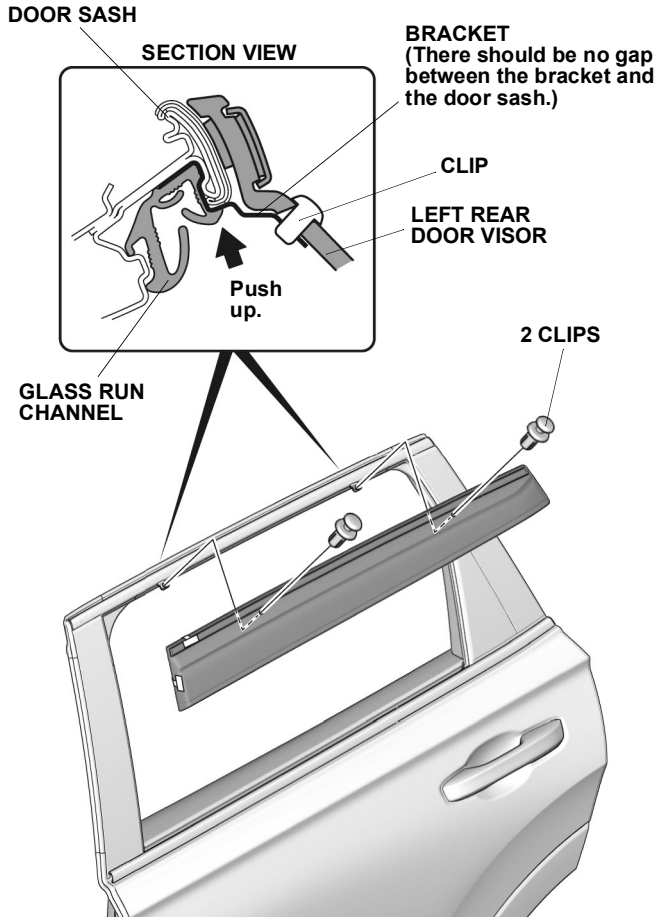
17. Remove the adhesive backing.

Germain Honda of College Hills

18. Install the left rear door visor.

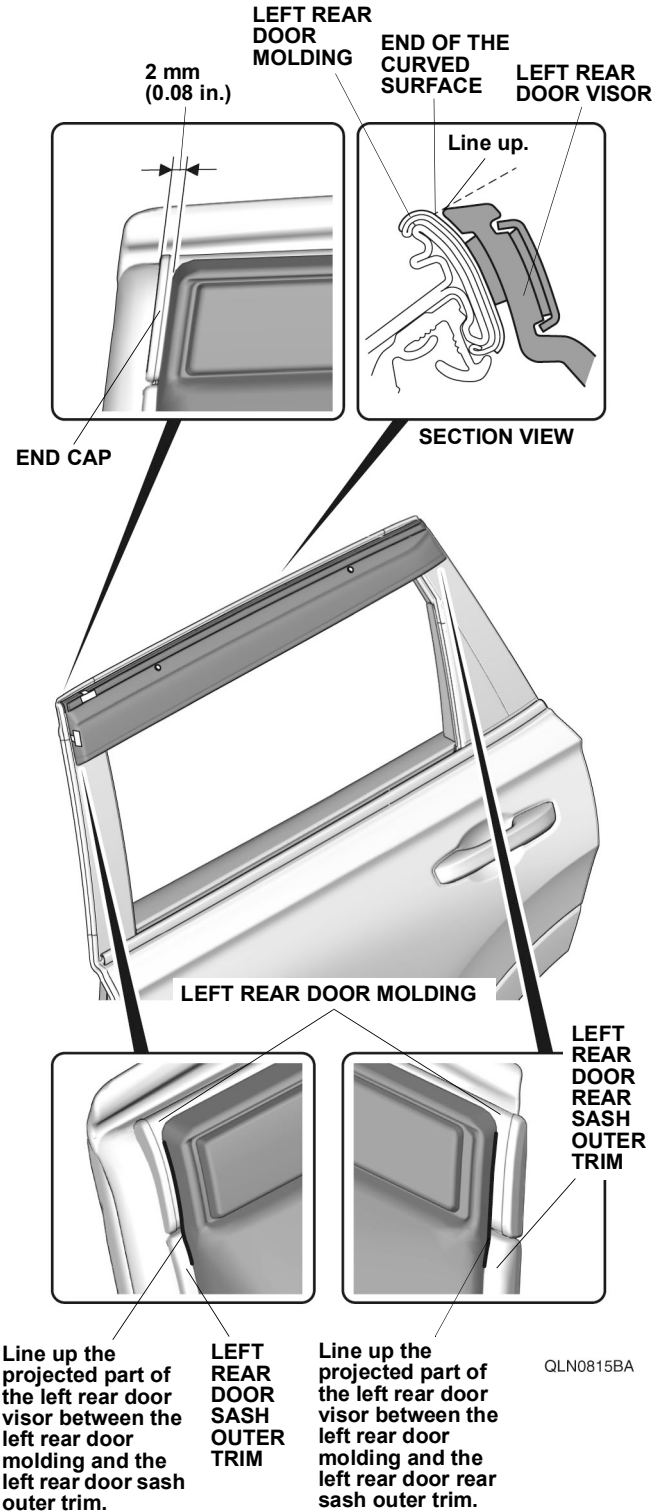
NOTE

Be extremely careful when installing the clips; they cannot be reinstated after installation.



QLN0814AA

19. Line up the left rear door visor.

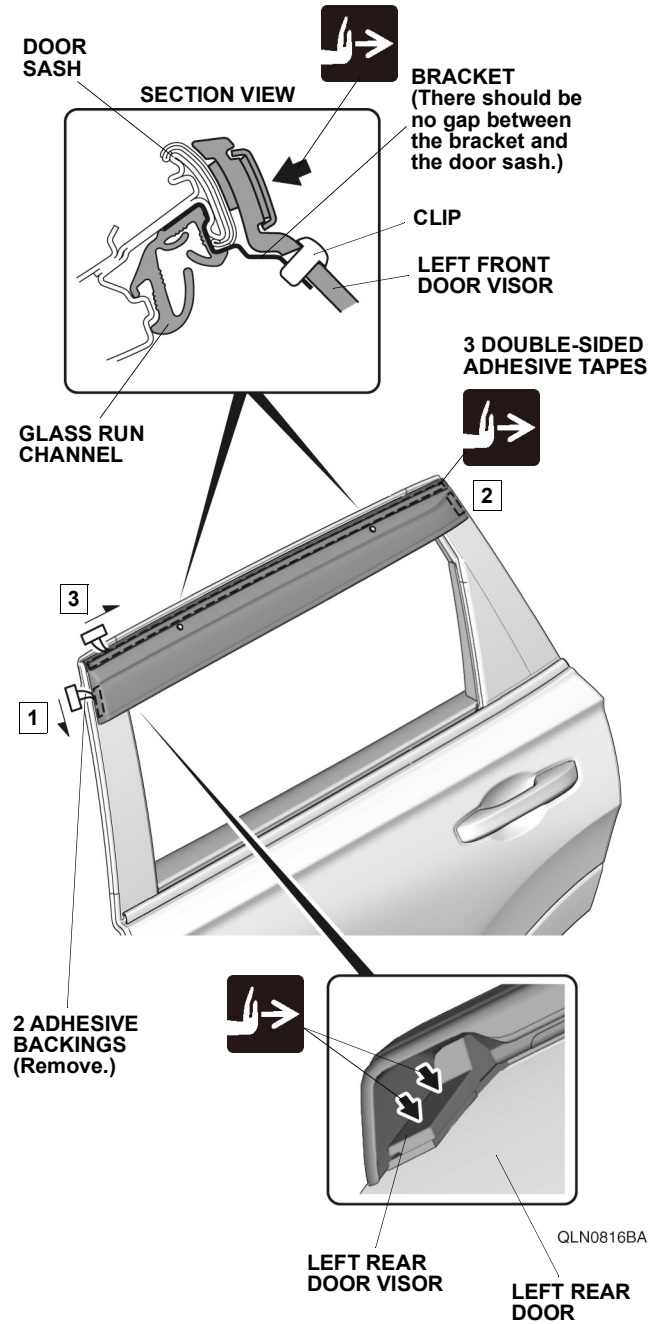


QLN0815BA

Germain Honda of College Hills

20. Secure the left rear door visor.

NOTE
<ul style="list-style-type: none"> • Make sure that the door visor is installed in the correct position. • Secure in the order shown. • Check the position of the double-sided adhesive tapes and make sure to press firmly.

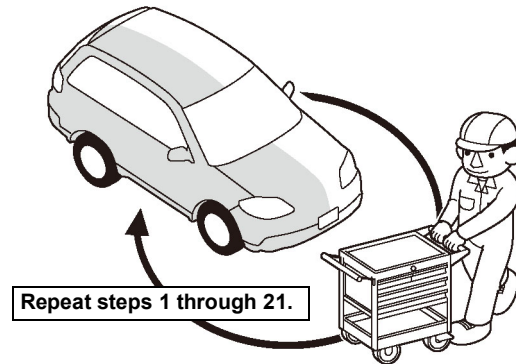


21. Secure the left rear door visor.



QLN0817AA

22. Repeat the same procedures on the other side.



Q9D1014AM

23. Check that all parts are installed properly.

<Resetting the Power Window Control Unit>

NOTE
Refer to the service information.

24. Perform the resetting.

Germain Honda of College Hills

Please give your customer a copy of this page.

DOOR VISOR

Use and Care

- To avoid damaging the surface, never use ammonia-based cleaners or solvents to clean the door visor.
- Clean with a solution of mild dishwashing soap and water using a soft cloth or chamois.
- To remove fine scratches and restore the original luster, use Meguiar's Mirror Glaze plastic cleaner and polish or an equivalent high-quality plastic cleaner.