

Germain Honda of College Hills



INSTALLATION INSTRUCTIONS

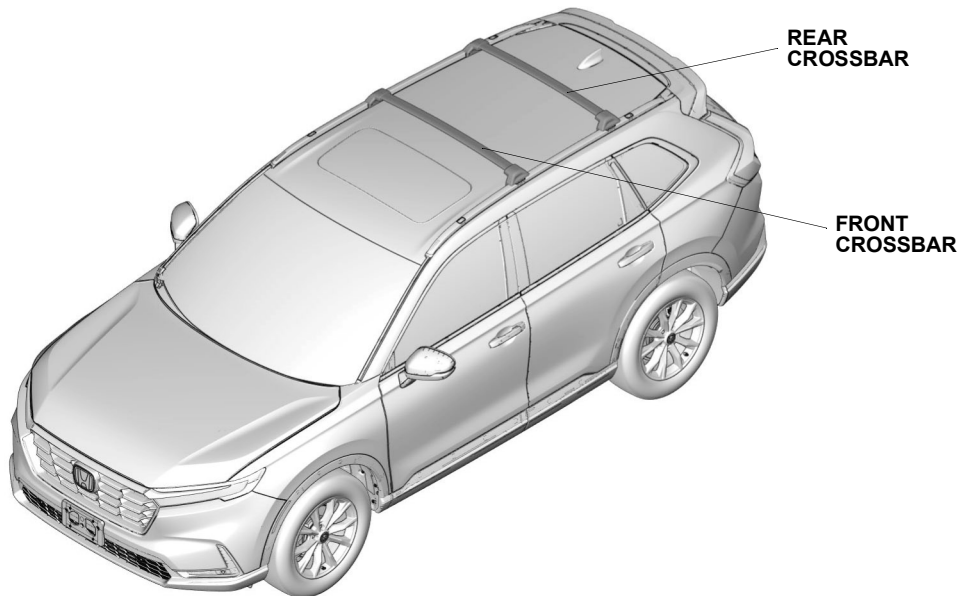
Accessory
CROSSBARS

Application
**2023 CR-V
MODEL SERIES**

Publications No.
VERSION 1

Issue Date
AUG 2022

GENERAL VIEW



QL01901AN

FOR YOUR SAFETY (Read carefully.)

Warning Symbols

Safety: Your safety, and the safety of others, is important. To help you make informed decisions about service procedures, we have provided safety messages where appropriate. Of course, it is not practical or possible to warn you about all the hazards associated with servicing a vehicle - you must use your own good judgment.

You will find important safety messages preceded by one of the following symbols:

*All symbols are not used in all installation instructions.

 **DANGER**

You will be killed or seriously hurt if you do not follow the instructions.

 **WARNING**

You can be killed or seriously hurt if you do not follow the instructions.

 **CAUTION**

You can be hurt if you do not follow the instructions.

NOTICE

Gives advice to prevent damage to the product, vehicle, the environment or other property.

NOTE

Gives helpful information or instructions to be followed when installing this product.



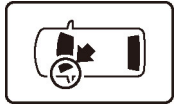
Indicates a prohibited action.

Germain Honda of College Hills

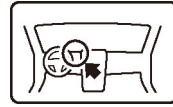
Procedure and Location Icons

These icons indicate the work location and the worker's point of view.

*All icons are not used in all installation instructions.



The location on the vehicle.



The location in the vehicle.
(Instrument panel.)



Wear eye protection.



Wear heavy gloves.



Use an assistant.



Place the part on a blanket.



Work perpendicular.



Remove any burrs.



Use touch-up paint and allow to dry.



Tighten to the specified torque.



Apply firm pressure while rolling, especially at the ends, to set the adhesive.



Press firmly.



Clean with isopropyl alcohol.



Return the original part to the customer.
(Do not reuse.)

Safety: General

- Observe all safety notes and precautions described in the service information, in addition to those described in this Installation Instruction. Be extremely careful for your safety and safety of others.
- Be careful not to damage the vehicle or the parts.
- Be extremely careful when handling retaining tabs and clips.
- Note the locations of the parts before removing them so they can be properly installed in their original positions.
- The illustrations may differ slightly from the actual accessory.

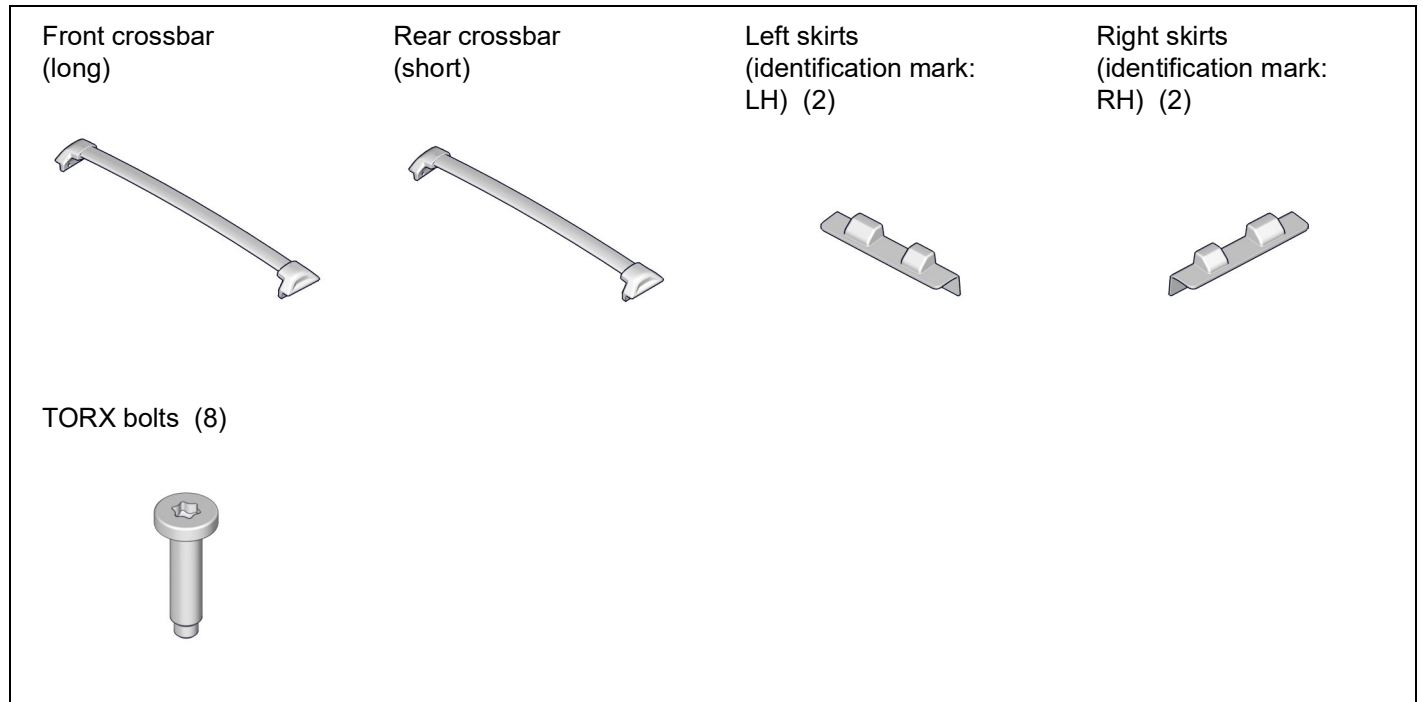
Safety: Accessory

Always use the parts and tools specified in the installation instructions.

Germain Honda of College Hills

PARTS LIST

Crossbars Kit (P/N 08L04-3A0-100)



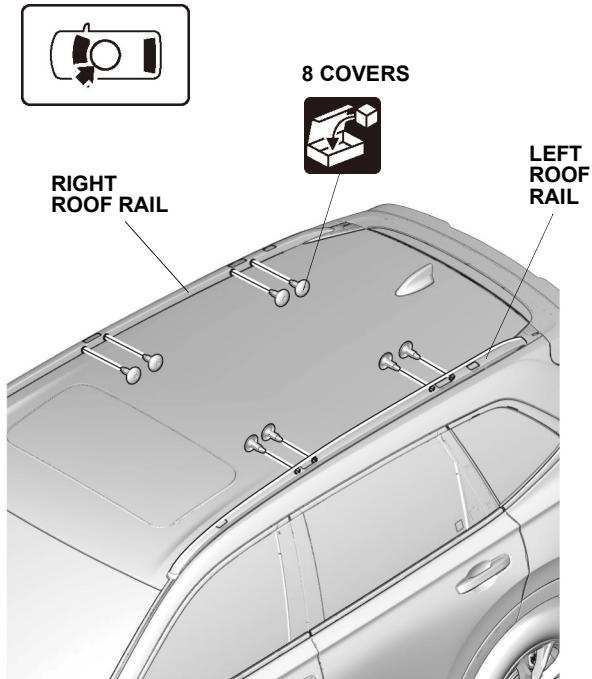
REQUIRED TOOLS AND SUPPLIES

- T-30 TORX bit
- Torque wrench

Germain Honda of College Hills

INSTALLATION

1. Remove the covers.

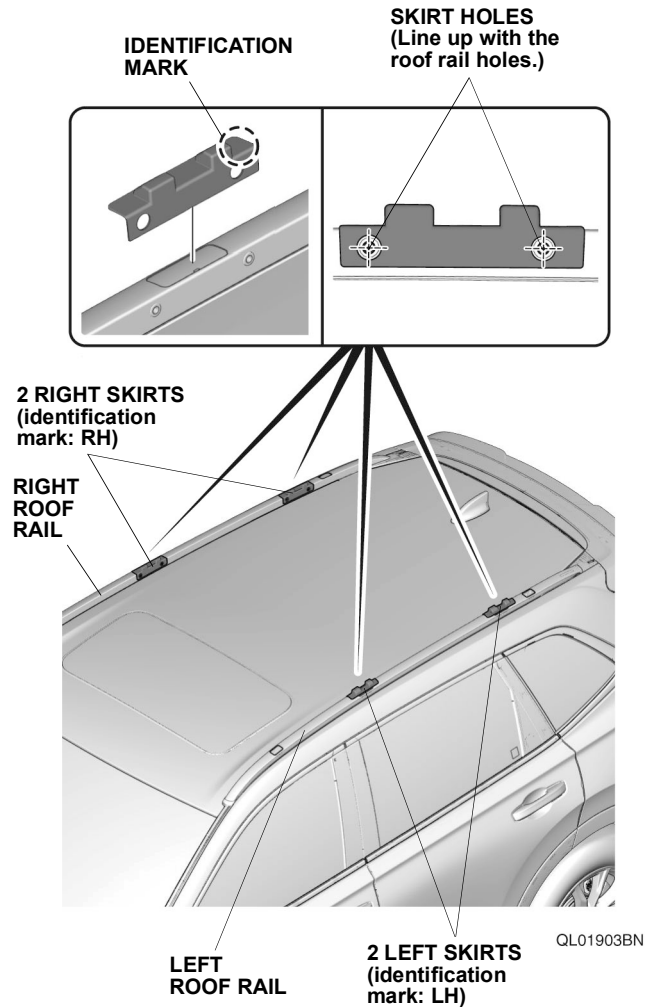


QL01902AN

2. Position the left and right skirts.

NOTE

Make sure to check the identification mark before installation.



Germain Honda of College Hills

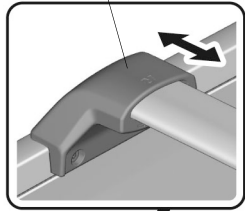
3. Install the front crossbar.

NOTE

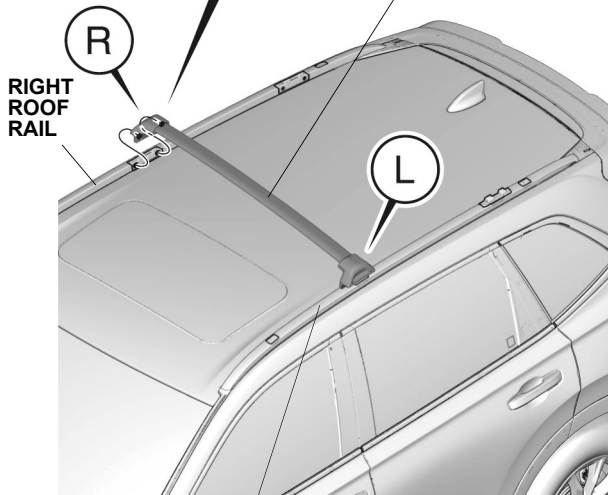
Make sure to check the identification mark before installation.



RIGHT STAY
(Adjust in or out.)



FRONT CROSSBAR
(long)



LEFT ROOF RAIL

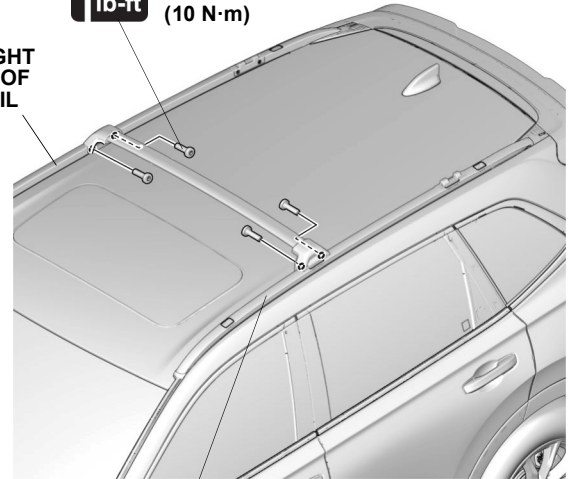
QL01904AN

4. Secure the front crossbar.

4 TORX BOLTS



RIGHT ROOF RAIL



LEFT ROOF RAIL

QL01905AN

Germain Honda of College Hills

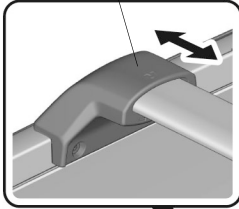
5. Install the rear crossbar.

NOTE

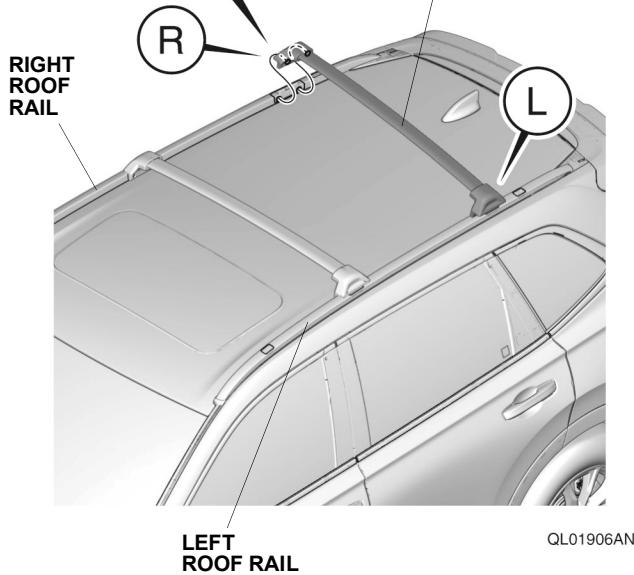
Make sure to check the identification mark before installation.



RIGHT STAY
(Adjust in or out.)



REAR CROSSBAR
(short)

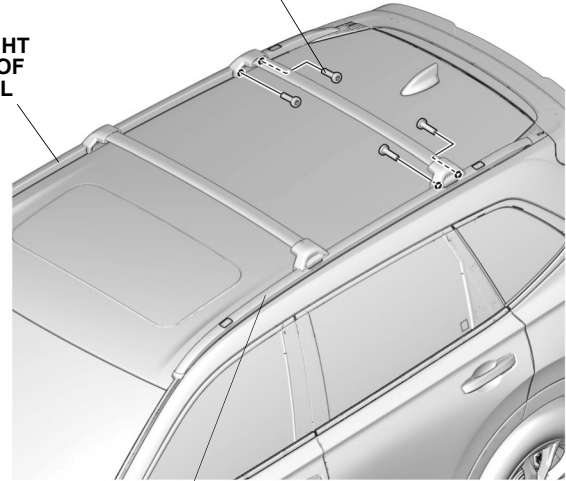


6. Secure the rear crossbar.

4 TORX BOLTS



RIGHT ROOF RAIL



LEFT ROOF RAIL

QL01907AN

7. Check that all parts are installed properly.

Germain Honda of College Hills

Please give your customer a copy of this page.

CROSSBARS

USE AND CARE

- Check the crossbar mounting bolts frequently, and retighten if necessary.
- Distribute the weight of the cargo evenly, and do not exceed the maximum weight capacity of 165 lbs (75 kg) on the crossbar.

Germain Honda of College Hills

