



## INSTALLATION INSTRUCTIONS

Accessory  
DOOR VISORS  
P/N 08R04-TLA-100

Application  
2022 CR-V

Publications No.  
**VERSION 1**  
Issue Date  
**AUG 2021**

### PARTS LIST

Left front door visor



Right front door visor



Left rear door visor



Right rear door visor



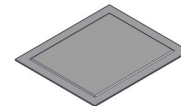
8 Brackets A



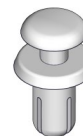
2 Brackets B



4 Alcohol swabs



10 Clips



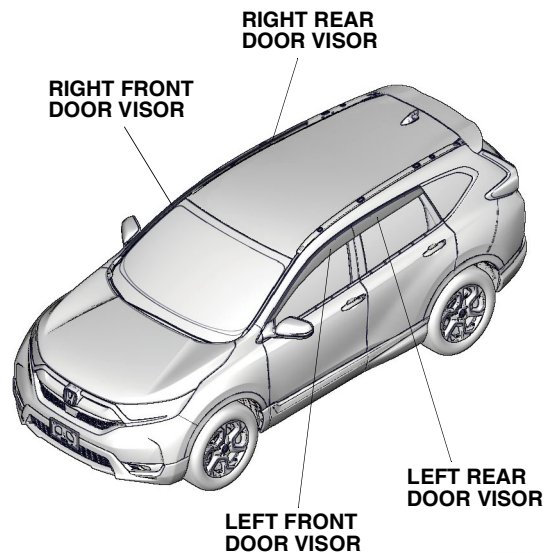
### TOOLS AND SUPPLIES REQUIRED

Masking tape

Ruler

Tape measure

### Illustration of the Door Visors on the Vehicle



QF20801BN

## INSTALLATION

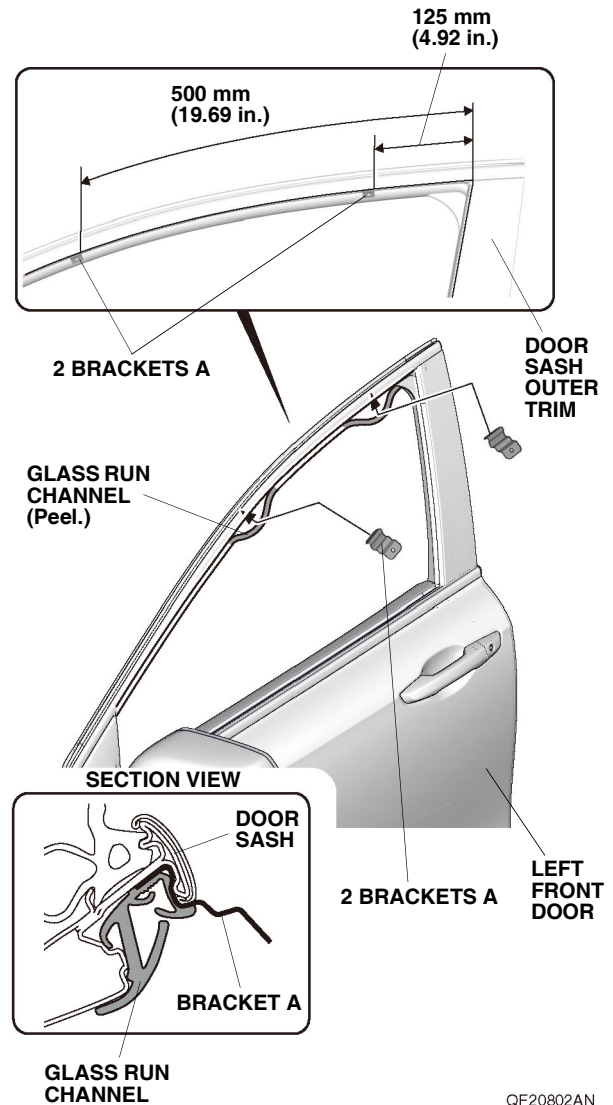
**Customer Information:** The information in this installation instruction is intended for use only by skilled technicians who have the proper tools, equipment, and training to correctly and safely add equipment to your vehicle. These procedures should not be attempted by “do-it-yourselfers.”

### NOTE:

- Be careful not to damage the paint finish and glass run channels when installing the door visors.
- Handle the door visors with care. They are not designed to absorb shock or impact.
- This kit should be installed only if the ambient air temperature is 15°C (60°F) or above.
- To allow the adhesive to cure, do not wash the vehicle for 24 hours. Make sure your customer is aware of this.

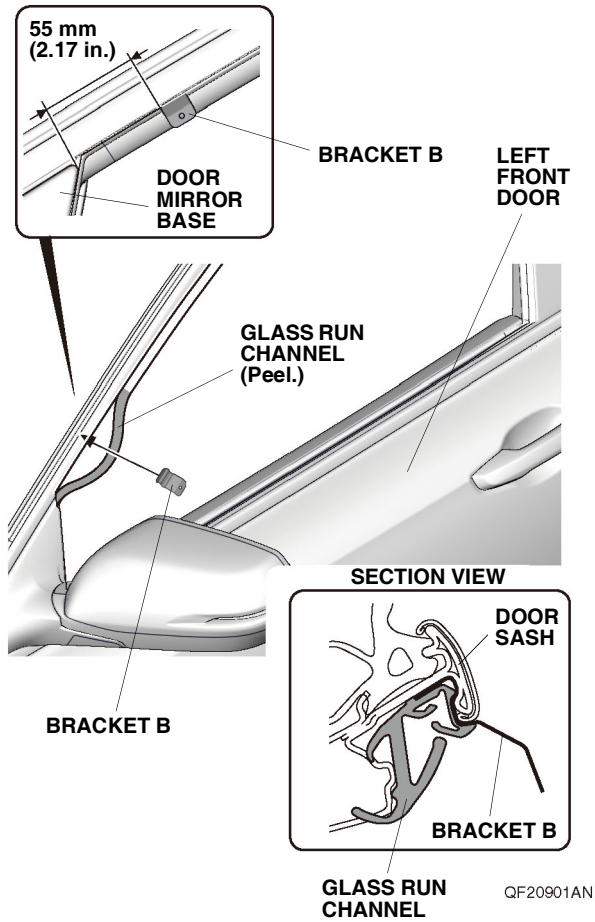
## Installing the Front Door Visor

1. Fully lower the left front door glass.



2. Peel the glass run channel as shown.
3. Install two brackets A between the door sash and the glass run channel as shown. Seat the glass run channel properly around the brackets.  
**NOTE:** Confirm the two brackets A are installed on the door sash as shown. Check that the glass run channel is seated properly.

4. Peel the glass run channel as shown.

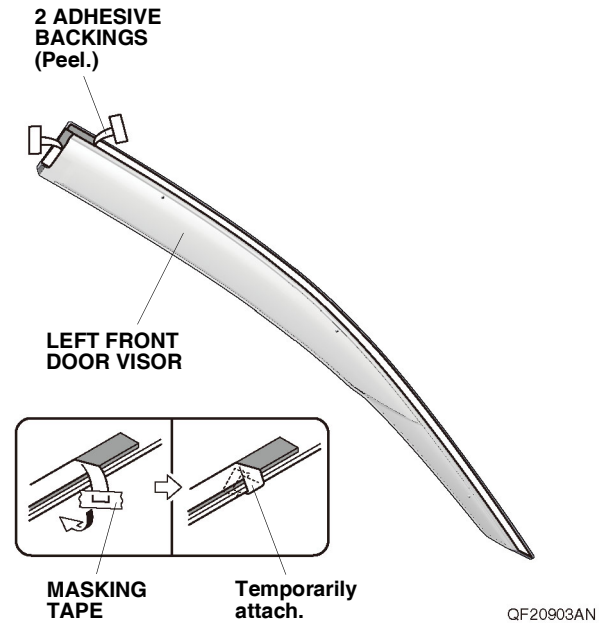


5. Install bracket B between the door sash and the glass run channel as shown. Seat the glass run channel properly around the bracket. **NOTE:** Confirm bracket B is installed on the door sash as shown. Check that the glass run channel is seated properly.

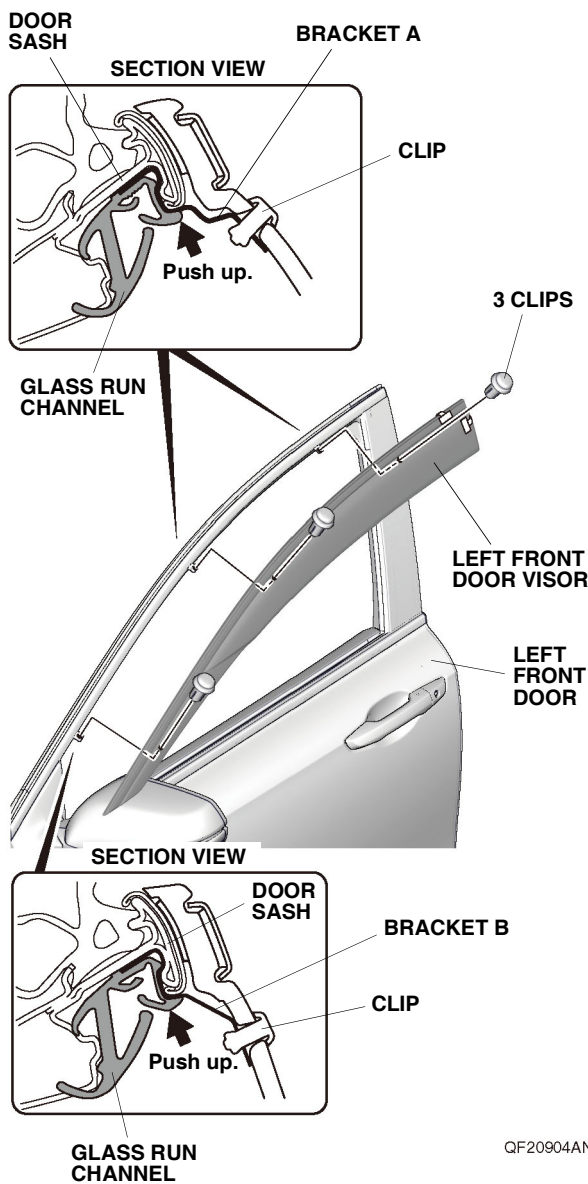
6. Use one alcohol swab to thoroughly clean the area where the left front door visor will attach.



7. Peel back the adhesive backings partway and temporarily attach them to the front surface of the left front door visor with masking tape.

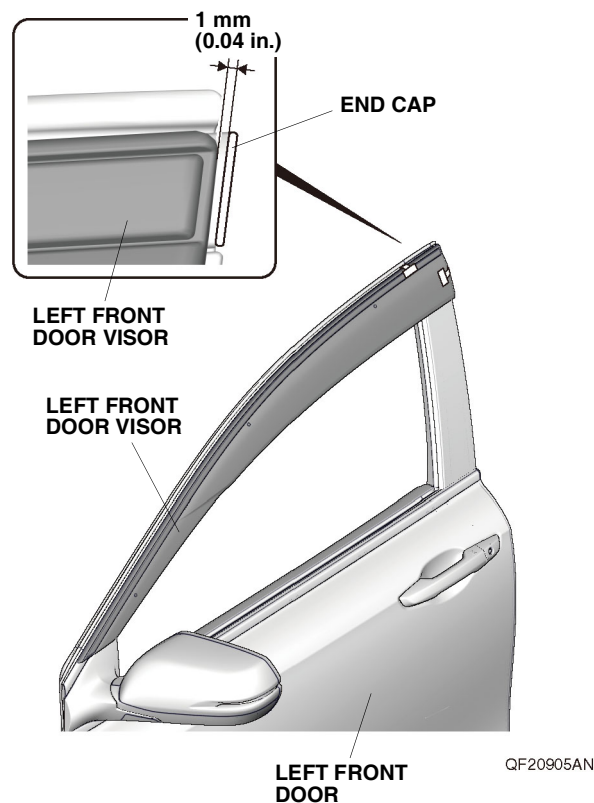


8. Adjust the two brackets A and bracket B so the holes line up with the three holes on the left front door visor.

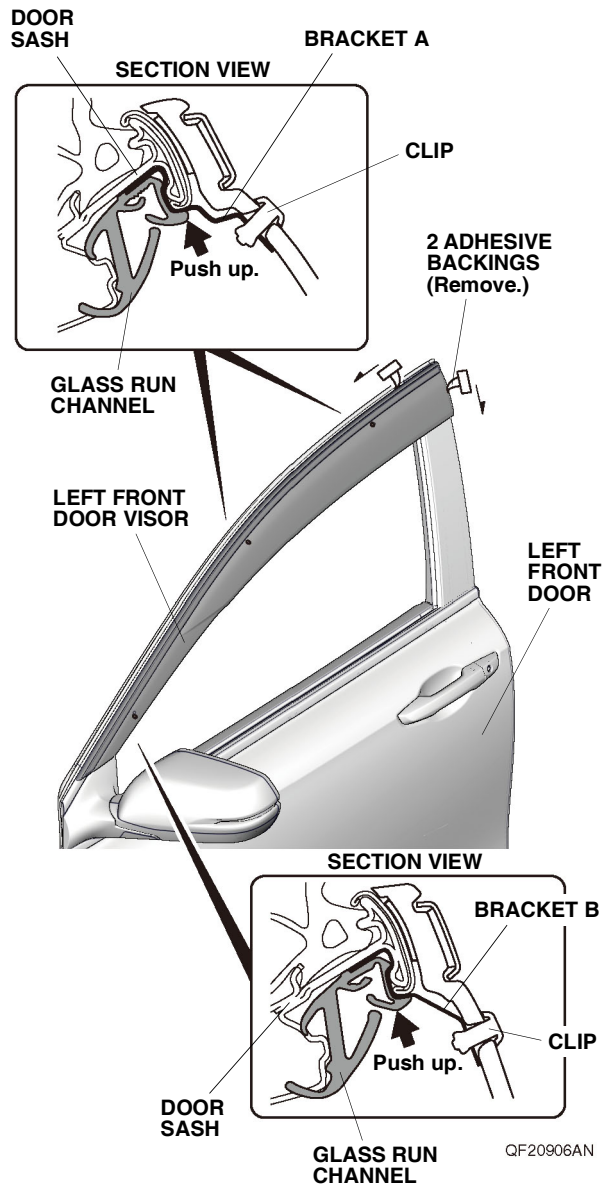


9. Using three clips secure the left front door visor to the brackets as shown. Make sure to push up on the brackets while installing three clips.  
NOTE: Be extremely careful when installing the clips; they cannot be reinstalled after installation.

10. Adjust the position of the left front door visor as shown.



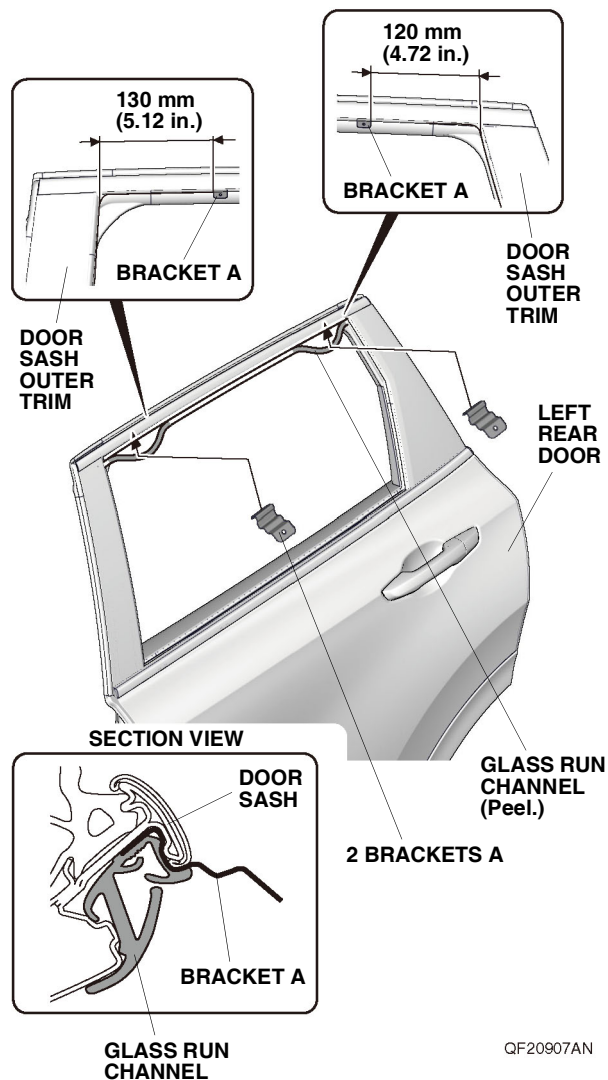
- While applying light pressure, carefully remove the taped adhesive backings.  
NOTE: Make sure to push up on the brackets while removing the adhesive backings.



- Using a soft towel; press and hold the left front door visor against the door sash for 30 seconds.

## Installing the Rear Door Visor

- Fully lower the left rear door glass.

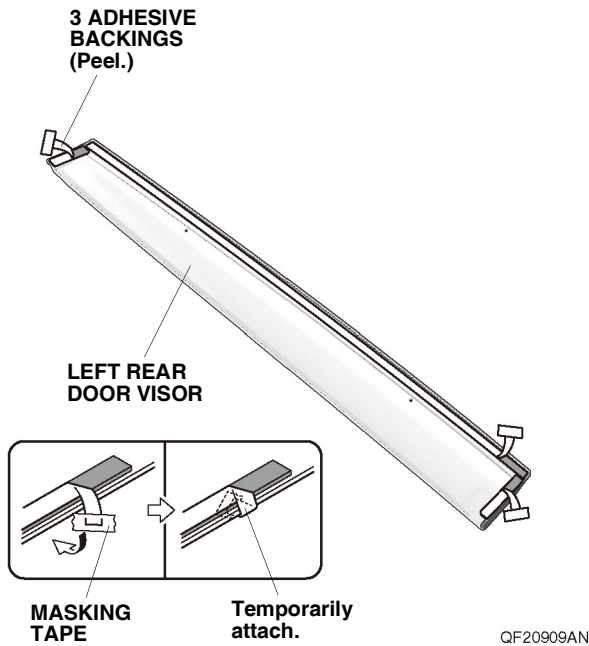


- Peel the glass run channel as shown.
- Install two brackets A between the door sash and the glass run channel as shown. Seat the glass run channel properly around the brackets.  
NOTE: Confirm the two brackets A are installed on the door sash as shown. Check that the glass run channel is seated properly.

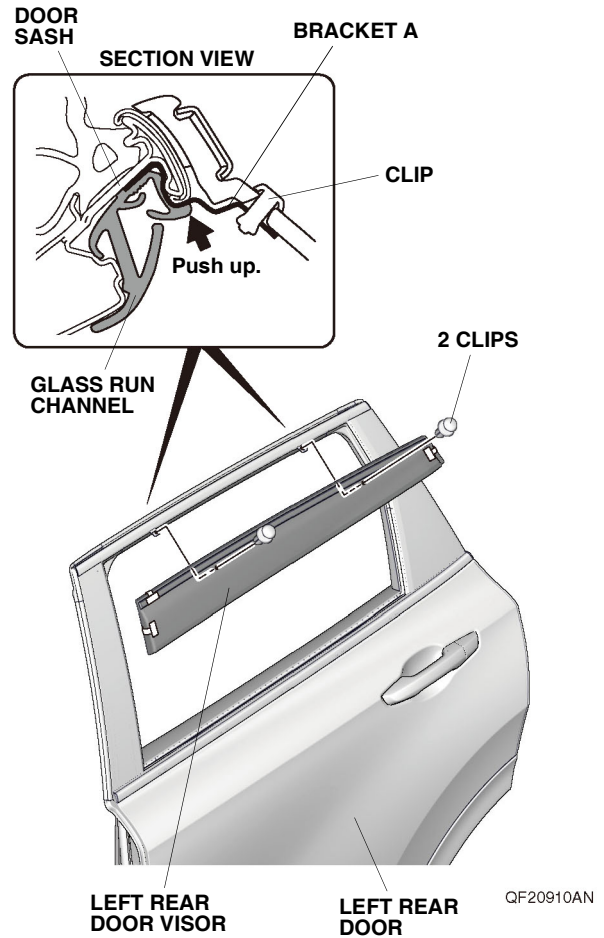
16. Use one alcohol swab to thoroughly clean the area where the left rear door visor will attach.



17. Peel back the adhesive backings partway and temporarily attach them to the front surface of the left rear door visor with masking tape.

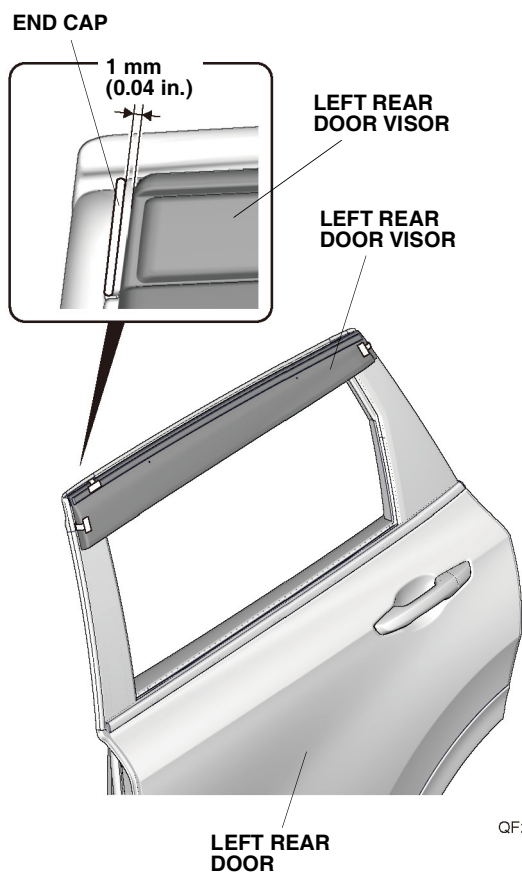


18. Adjust the two brackets A so the holes line up with the two holes on the left rear door visor.

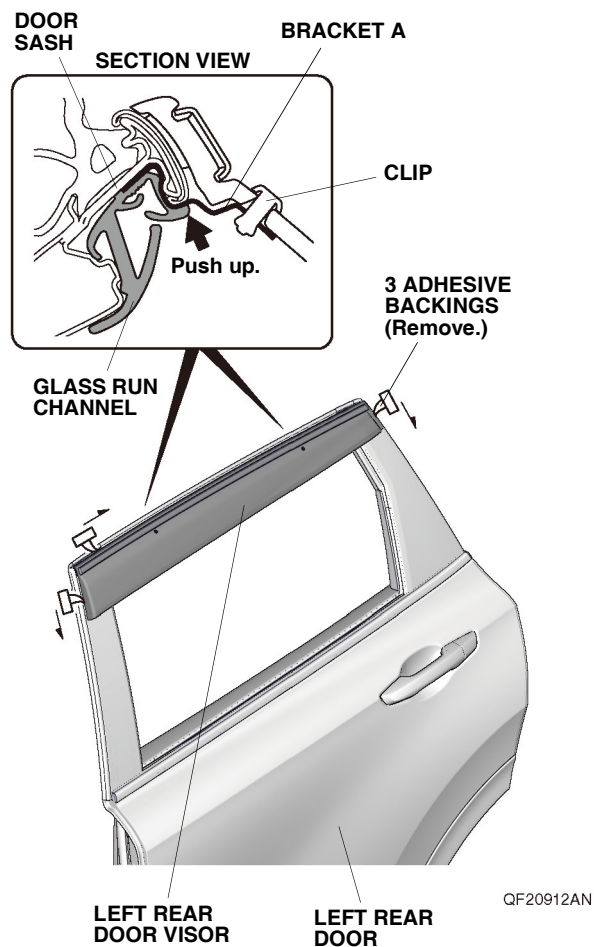


19. Using two clips secure the left rear door visor to the brackets as shown. Make sure to push up on the brackets while installing two clips.  
NOTE: Be extremely careful when installing the clips; they cannot be reinstalled after installation.

20. Adjust the position of the left rear door visor as shown.



21. While applying light pressure, carefully remove the taped adhesive backings.  
NOTE: Make sure to push up on the brackets while removing the adhesive backings.



22. Using a soft towel; press and hold the left rear door visor against the door sash for 30 seconds.  
23. Repeat steps 1 through 22 on the right side of the vehicle.

## CONFIRMATION AFTER INSTALLATION

### RESTORATION OPERATIONS

1. Start the engine.
2. Using the power window switch, repeat opening and closing the window from half-open to fully closed 10 times to allow the glass run channel to wear in. (The window should not bind.)
3. If necessary refer to the service information to reset the power windows. (If the auto up/down feature does not work after the reset, reset again.)
4. If necessary refer to the service information to carry out “learning” of the power window. (If the auto up/down does not function after the learning, carry out “learning” again.)

NOTE: The operations in the steps 3 and 4 should be done to all power windows having the auto up/down feature to allow for proper functioning of the auto-reverse function after installing the door visors.

### USE AND CARE

- When the door visor is dirty, clean it with a soft cloth dampened with water.
- When the door visor is very dirty, clean the door visor with the neutral detergent and water. Do not use volatile solvent (e.g. thinner, benzine, alcohol, etc.) or a cleaner containing abrasive material.