



## INSTALLATION INSTRUCTIONS

Accessory  
**REAR SEAT-BACK PROTECTORS**

Application  
 2020 CR-V  
 2020 CR-V HYBRID

Publications No.  
**VERSION 2**  
 Issue Date  
**FEB 2020**

### PARTS LIST

Rear Seat-Back Protectors Kit  
 P/N 08U43-TLA-100  
 P/N 08U43-TLA-100A

\*: The part differs depending on the kit.  
 Left seat-back protector



Right seat-back protector



Left cargo floor lid protector



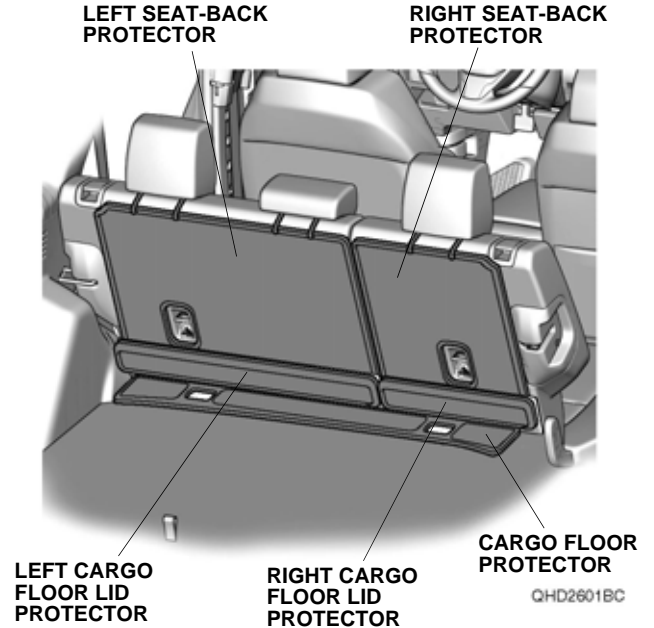
Right cargo floor lid protector



\*Cargo floor protector  
 (P/N 08U43-TLA-100)



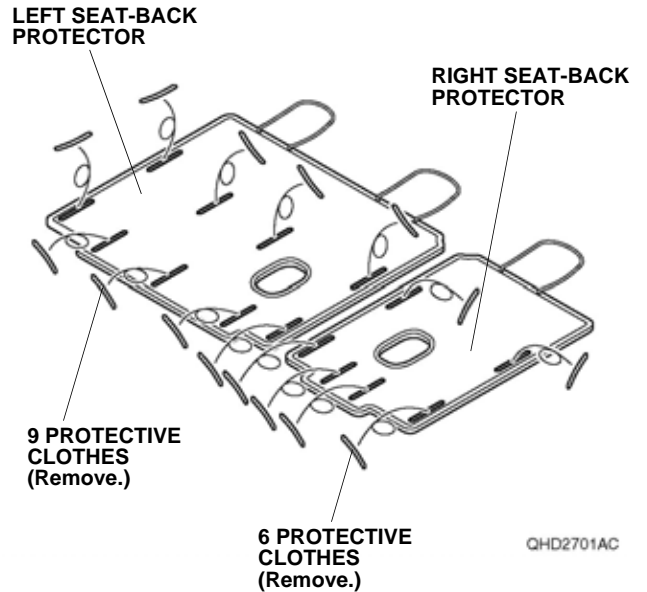
### Illustration of the Rear Seat-back Protectors Installed in the Vehicle



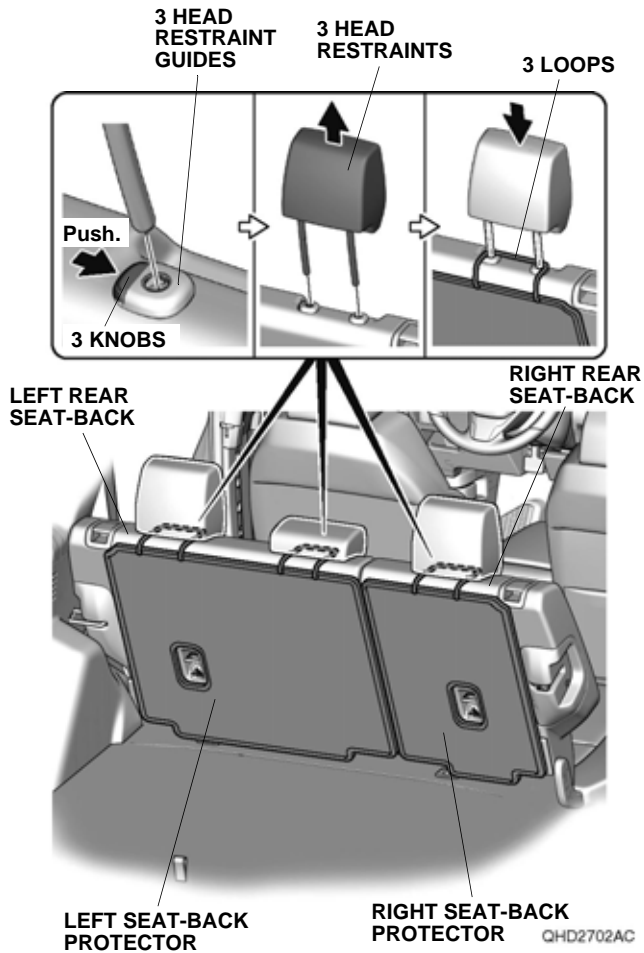
### INSTALLATION

#### Installing the Seat-Back Protectors

1. Remove the protective clothes from the left and right seat-back protectors.



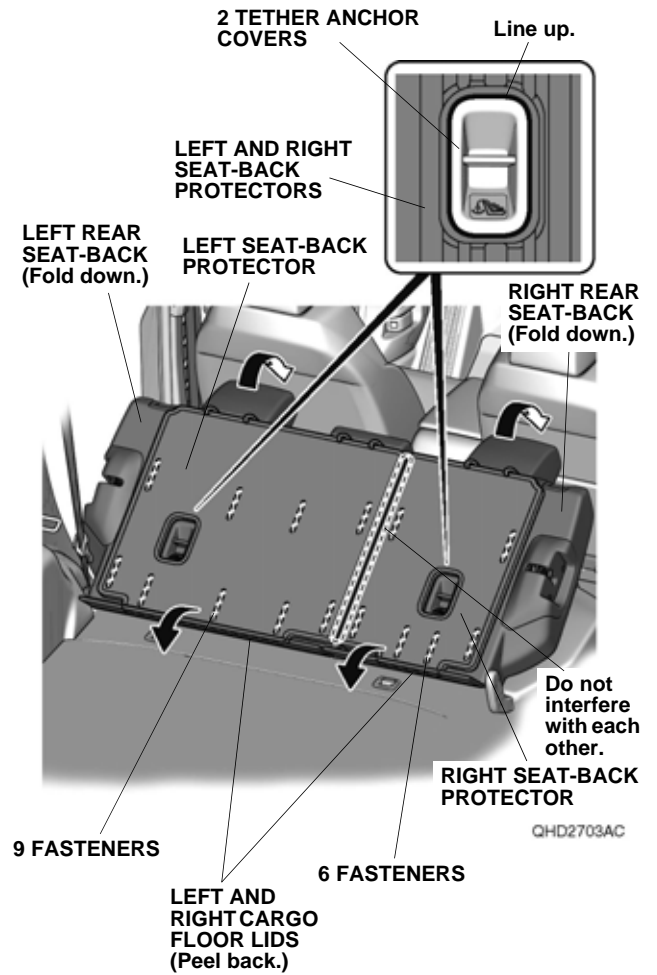
2. While pressing on each head restraint guide knob, remove the three head restraints by pulling them upward. Install the three loops on the left and right seat-back protectors through the head restraints as shown. Install each head restraint to the left and right rear seat-backs.



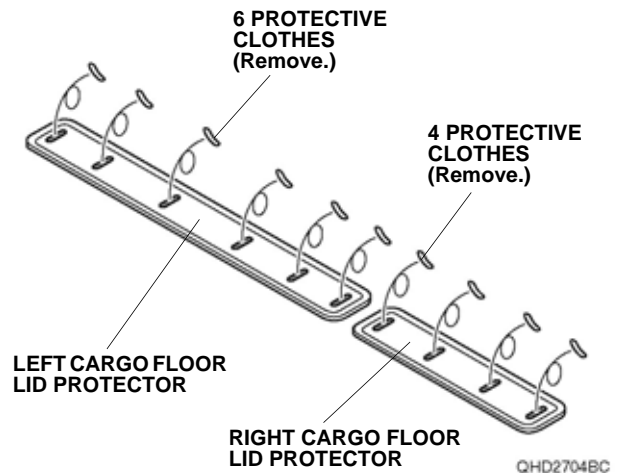
3. Fold down the left and right rear seat-backs, and peel back the left and right cargo floor lids. Line up the left and right seat-back protectors with the tether anchor covers on the left and right rear seat-backs as shown. Secure the left and right seat-back protectors to the left and right rear seat-backs with 15 fasteners.

**NOTE:**

- Apply firm pressure, especially on the left and right seat-back protectors at the areas where the fasteners are located.
- Make sure that the left seat-back protector does not interfere with the right seat-back protector.



4. Remove the protective clothes from the left and right cargo floor lid protectors.

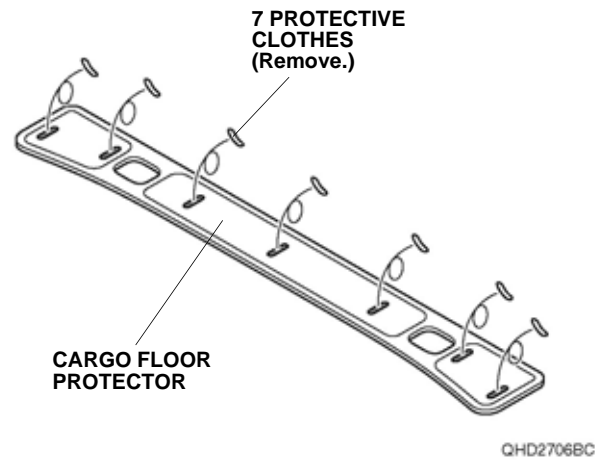
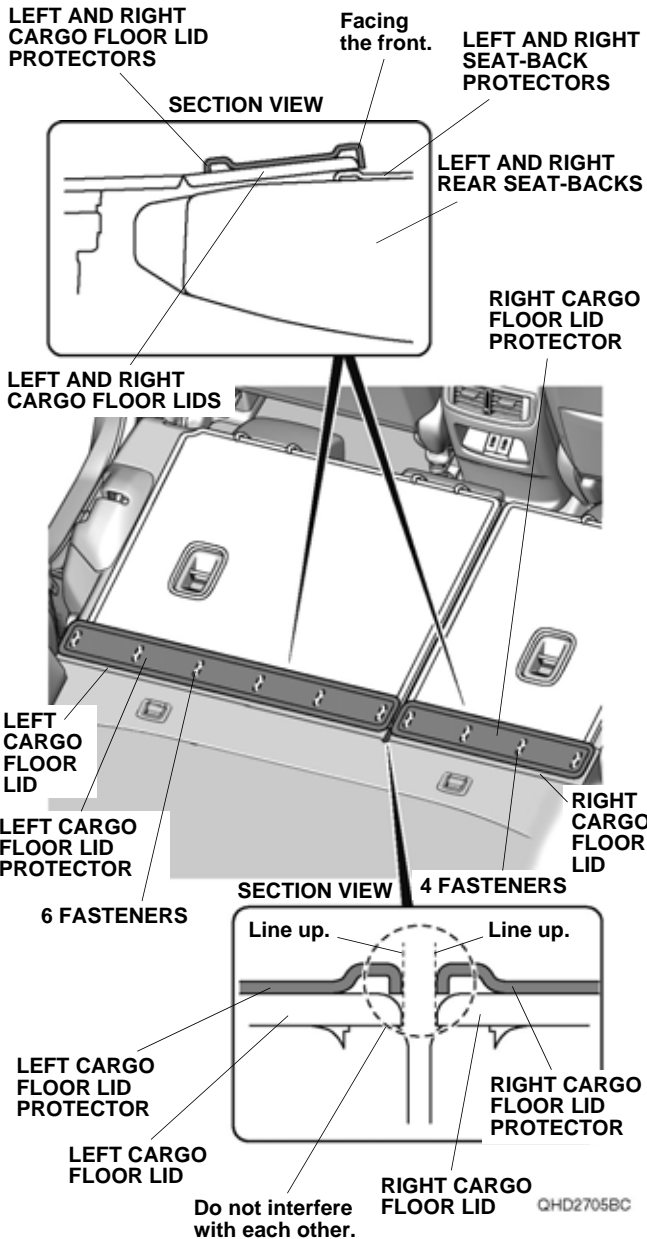


5. Position the left and right cargo floor lid protectors on the left and right cargo floor lids as shown. Secure the left and right cargo floor lid protectors to the left

and right cargo floor lids with 10 fasteners, and put them on the left and right seat-back protectors as shown.

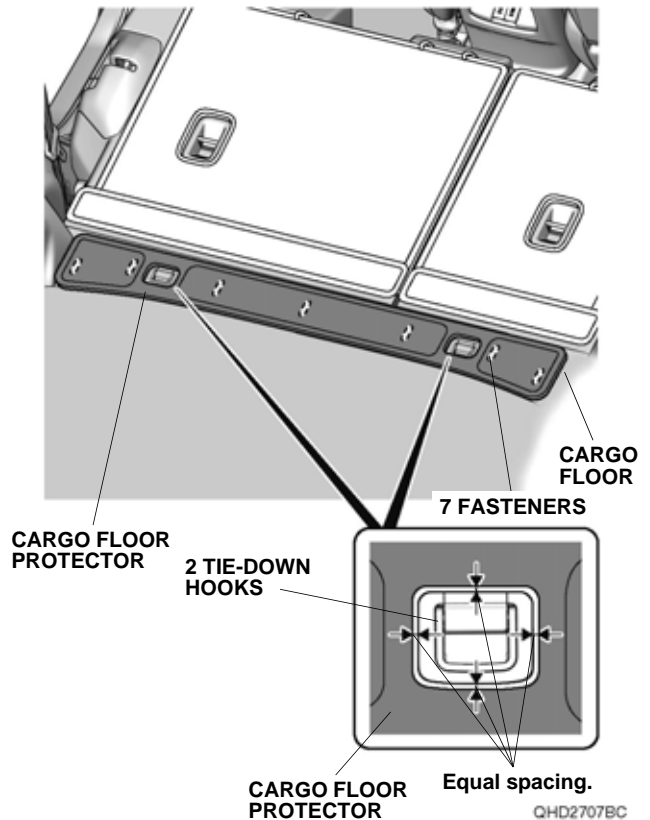
**NOTE:**

- Make sure to install the left and right cargo floor lid protector in the correct orientation.
- Apply firm pressure, especially on the left and right cargo floor lid protectors at the areas where the fasteners are located.



7. Position the cargo floor protector on the cargo floor. Line up the cargo floor protector with the tie-down hooks on the cargo floor as shown. Secure the cargo floor protector to the cargo floor with seven fasteners.

**NOTE:** Apply firm pressure, especially on the cargo floor protector at the areas where the fasteners are located.



8. Check the installation condition. Make sure that the protectors do not interfere with the vehicle parts while moving the left and right rear seat-backs back and forth.

If the vehicle is petrol models, continue with step 6; if the vehicle is hybrid models, go to step 8.

**Petrol models**

6. Remove the protective clothes from the cargo floor protector.

NOTE: Adjust the position of the protectors if necessary.

