



## INSTALLATION INSTRUCTIONS

Accessory  
HOOD AIR DEFLECTOR  
P/N 08P47-TLA-100

Application  
2020 CR-V

Publications No.  
**VERSION 1**  
Issue Date  
**OCT 2019**

### PARTS LIST

Hood air deflector



2 Brackets A



2 Brackets B



2 Brackets C



Template



2 Collars



3 Alcohol swabs



4 Clips



4 Screws, 5 x 9.5 mm



2 Screws, 6 x 12 mm



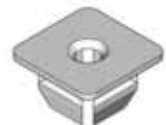
4 Protection films



Notice label



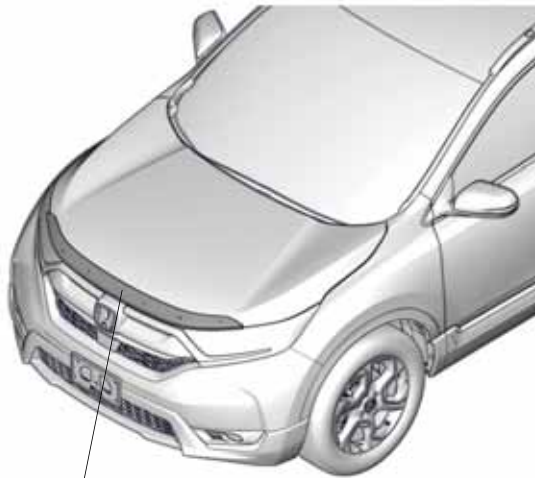
4 Grommet nuts



## TOOLS AND SUPPLIES REQUIRED

- Phillips screwdriver
- Masking tape
- Felt-tip pen

### Illustration of the Hood Air Deflector on the Vehicle



HOOD AIR DEFLECTOR

QF21601AX

## INSTALLATION

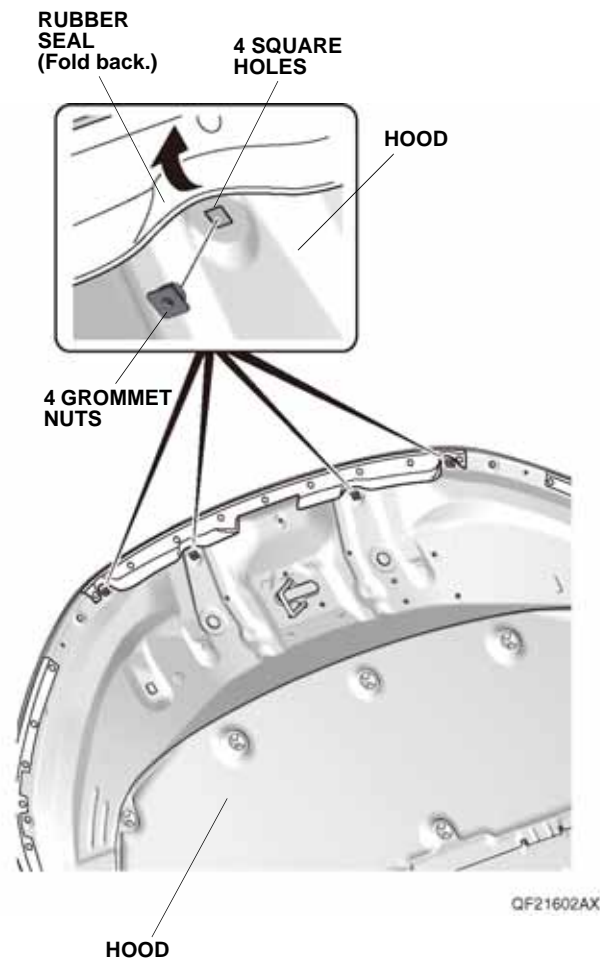
**Customer Information:** The information in this installation instruction is intended for use only by skilled technicians who have the proper tools, equipment, and training to correctly and safely add equipment to your vehicle. These procedures should not be attempted by "do-it-yourselfers."

### NOTE:

- Be careful not to damage the paint finish.
- This kit should be installed only if the ambient air temperature is 15°C (60°F) or above.
- To allow the adhesive to cure, do not wash the vehicle for 24 hours. Make sure your customer is aware of this.

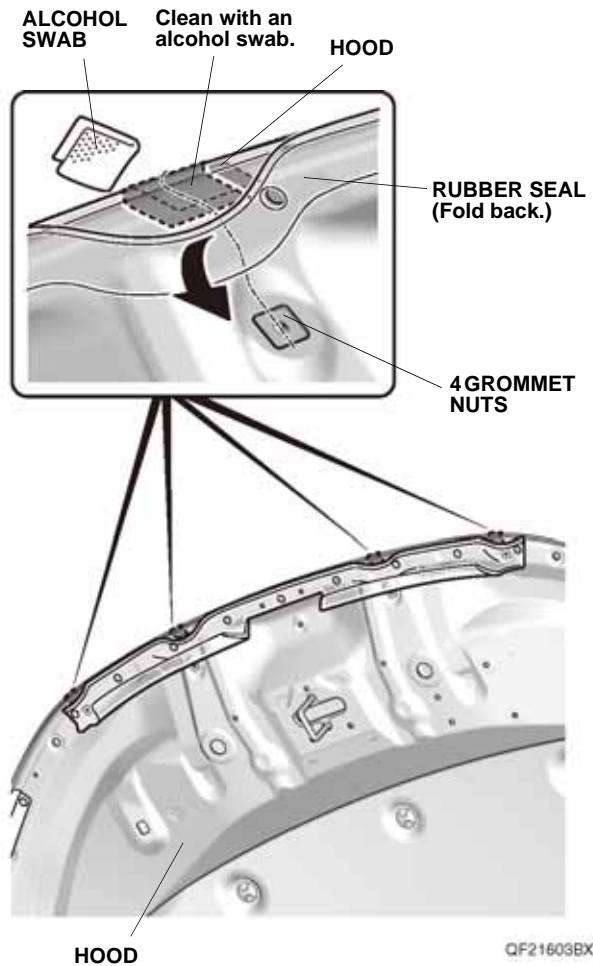
## Installing the Hood Air Deflector

1. Open the hood. Fold back the rubber seal, and locate four square holes on the inside of the hood. Push one grommet nut into each square hole in the hood.

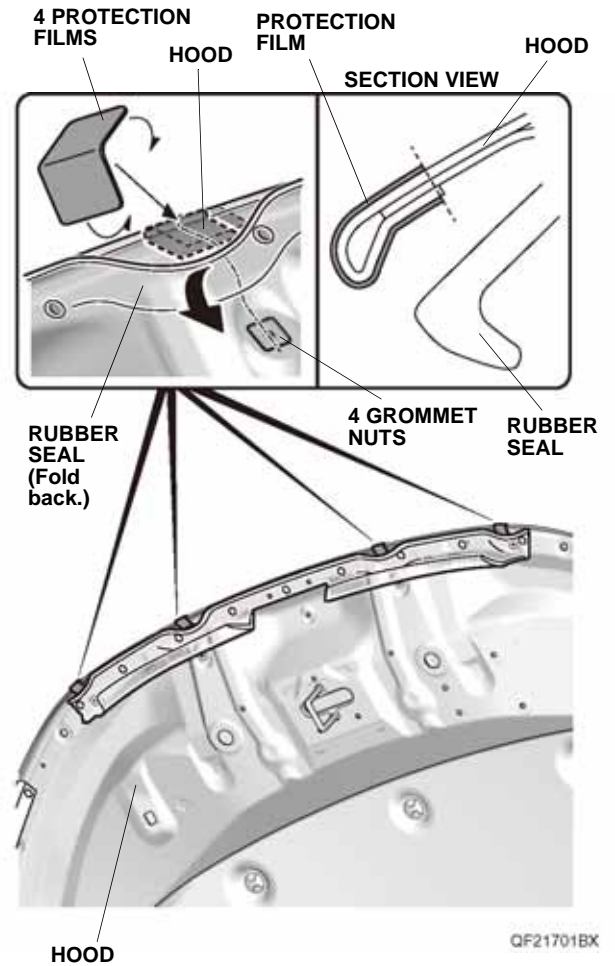


QF21602AX

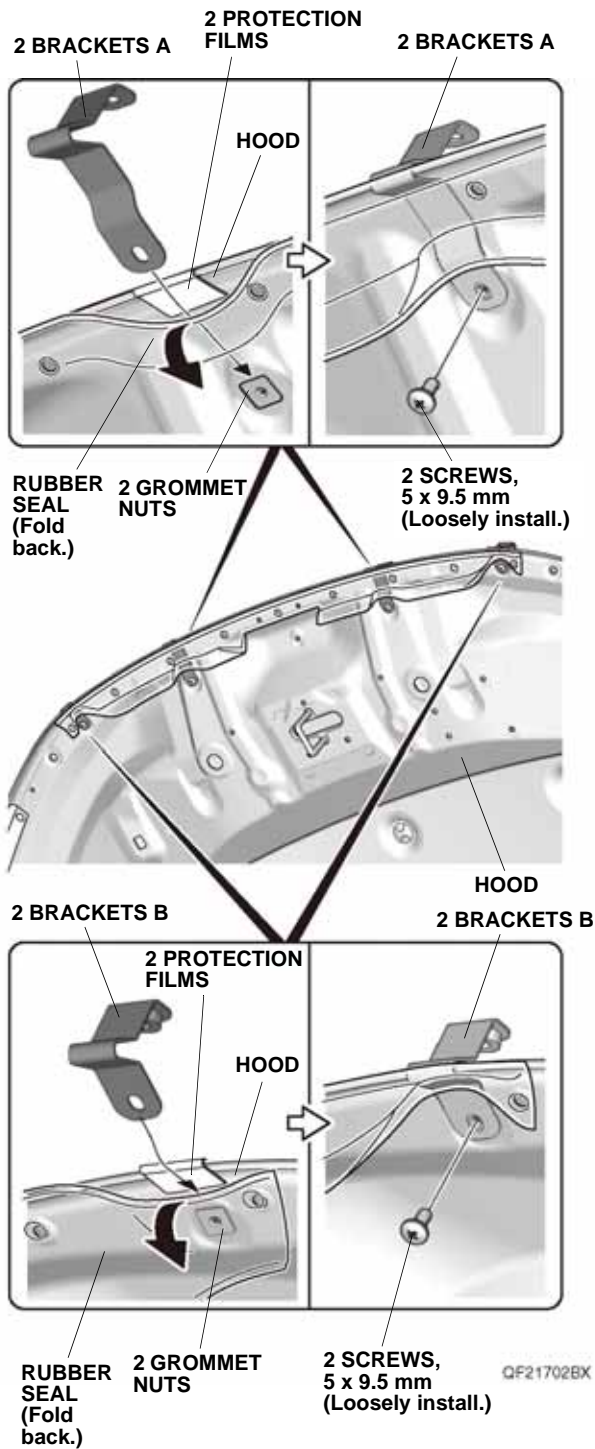
2. Fold back the rubber seal. Using an alcohol swab, thoroughly clean the hood where four protection films will attach.



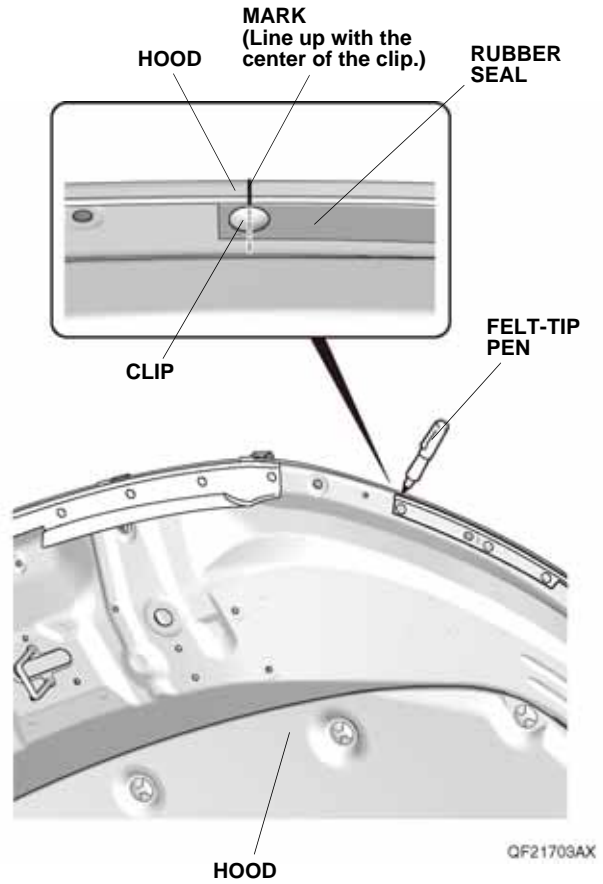
3. Fold back the rubber seal, and line up the four protection films with the four grommet nuts as shown. Remove the adhesive backings from the four protection films, and attach the four protection films to the hood where two brackets A and two brackets B will mount.



4. Fold back the rubber seal, and slide two brackets A and two brackets B over the lip of the hood. Line them up with the four grommet nuts as shown. Loosely install a 5 x 9.5 mm screw through each bracket A and bracket B.

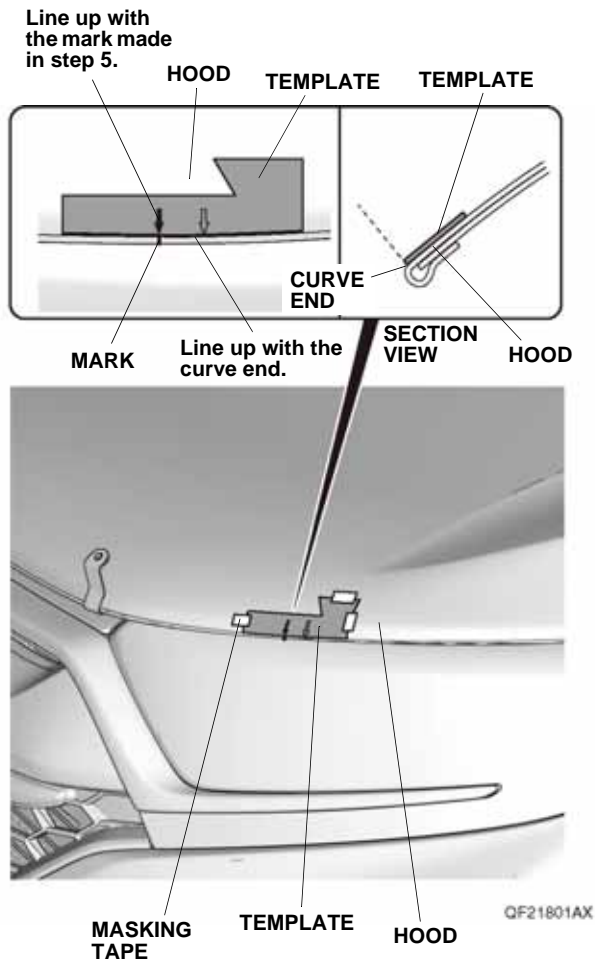


5. Using a felt-tip pen, mark the hood as shown.

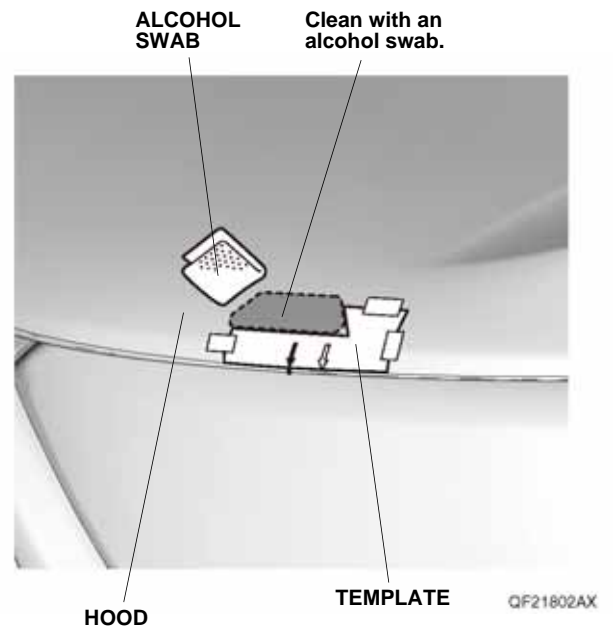


6. Repeat this same procedure on the right side of the hood. Close the hood.

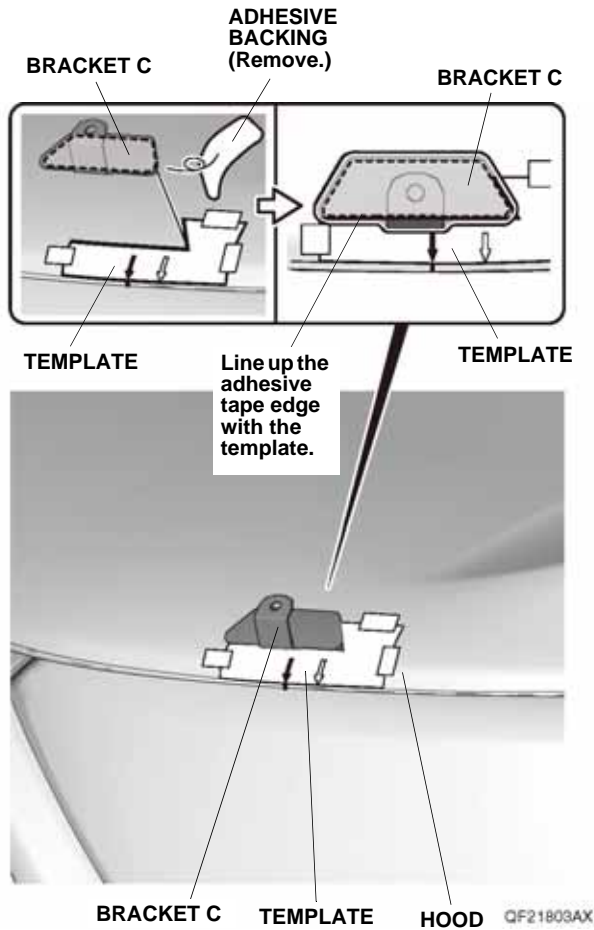
7. Attach the template to the front of the hood on the left side of the vehicle as shown. Secure the template to the hood with masking tape.



8. Using an alcohol swab, thoroughly clean the hood where bracket C will mount.

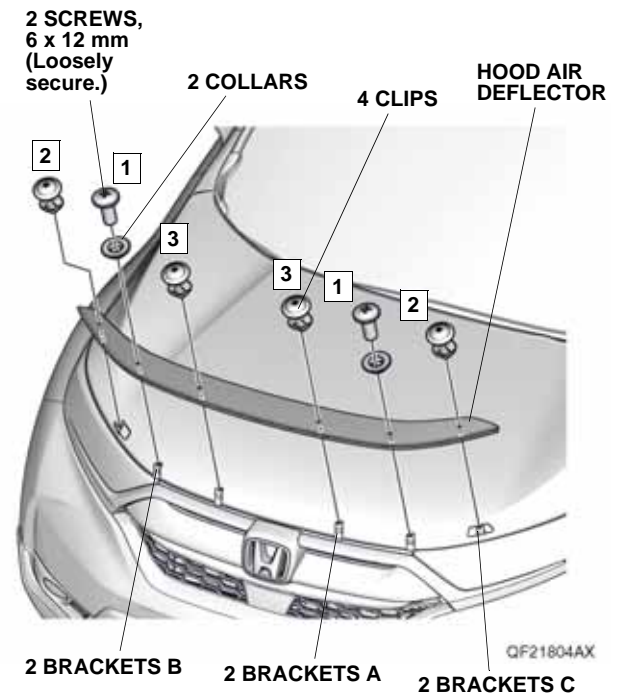


- Remove the adhesive backing from bracket C, and line up the adhesive tape edge of bracket C to the template as shown. Remove the template, and erase the mark made in step 5.



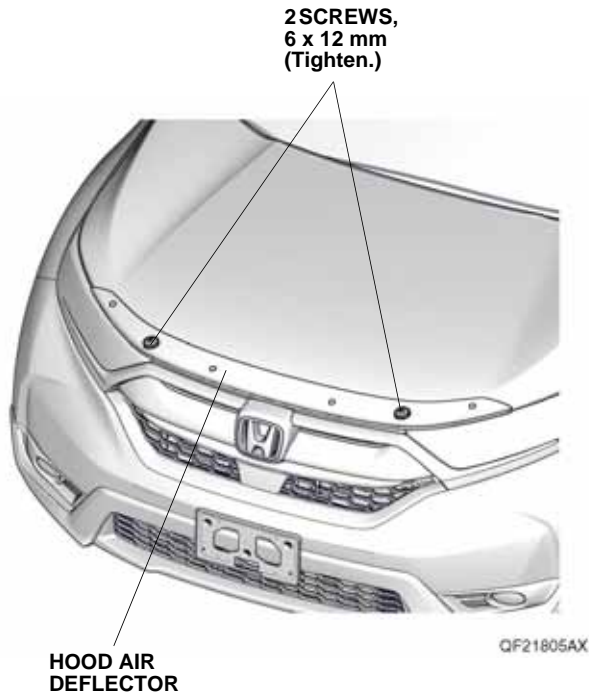
- Turn the template over, and repeat steps 7 through 9 on the right side of the hood.

- Position the hood air deflector on the hood. Line up the holes in the hood air deflector with the holes in the six brackets. Loosely secure the hood air deflector to two brackets B with two 6 x 12 mm screws and two collars.

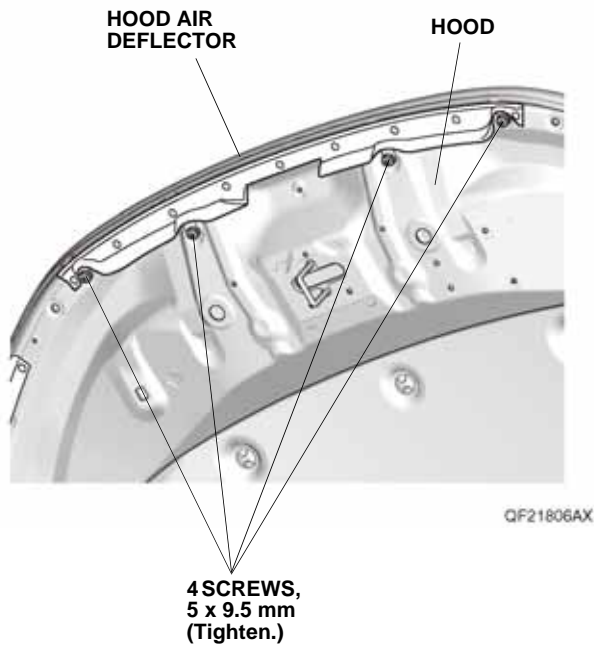


- Secure the hood air deflector to the two brackets C with two clips.
- Secure the hood air deflector to the two brackets A with two clips.

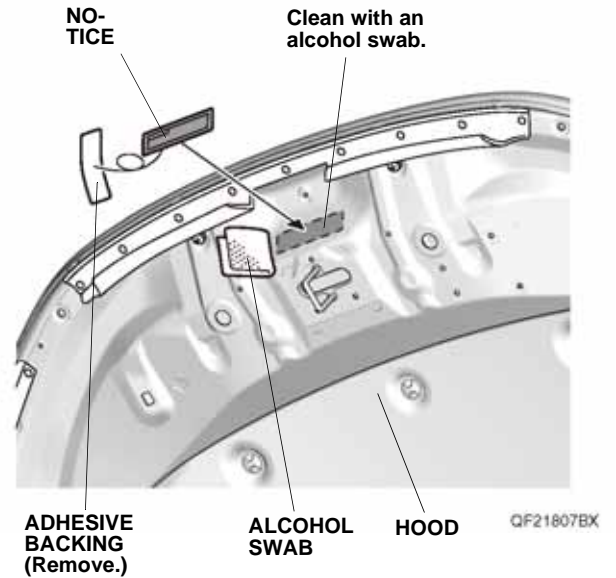
14. Tighten the two 6 x 12 mm screws loosely installed in step 11.



15. Open the hood. Tighten the four 5 x 9.5 mm screws loosely installed in step 4.



16. Using an alcohol swab, thoroughly clean the hood where the notice label will attach.



17. Remove the adhesive backing from the notice label, and attach it to the hood as shown.  
NOTE: Do not attach the notice label over the other vehicle caution labels.

Put a copy of this page in the glove box for your customer.

## CARE OF THE HOOD AIR DEFLECTOR

- To avoid damaging the surface, never use ammonia-based cleaners or solvents to clean the hood air deflector.
- Clean with a solution of mild dishwashing soap and water using a soft cloth or chamois.
- To remove fine scratches and restore the original luster, use Meguiar's Mirror Glaze plastic cleaner and polish or an equivalent high-quality plastic cleaner.