



## INSTALLATION INSTRUCTIONS

Accessory  
**BODY SIDE MOLDINGS**  
 P/N 08P05-TLA-100

Application  
**2019 CR-V**

Publications No.  
**VERSION 1**  
 Issue Date  
**OCT 2018**

### PARTS LIST

Left front body side molding



Right front body side molding



Left rear body side molding



Right rear body side molding



Front template



Rear template



4 Alcohol swabs



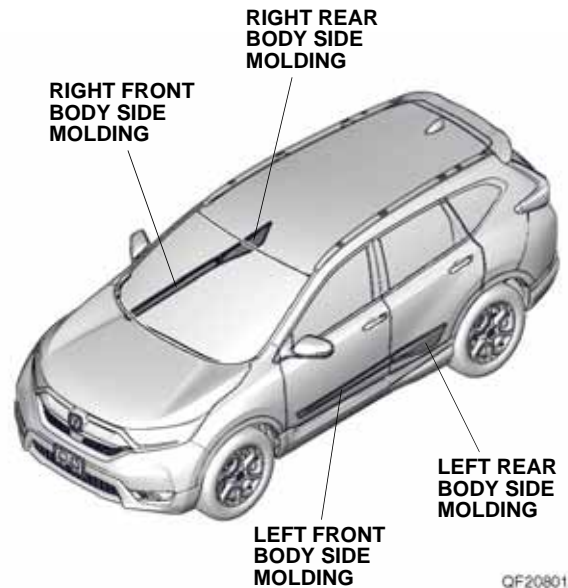
### TOOLS AND SUPPLIES REQUIRED

Masking tape

*The following tool is available through the Honda Tool and Equipment Program. On the iN, click on Service > Service Bay > Tool and Equipment Program, then enter the number under "Search." Or, call 888-424-6857.*

Rubber Roller (T/N MHLE54D)

### Illustration of the Body Side Moldings on the Vehicle



QF20801BC

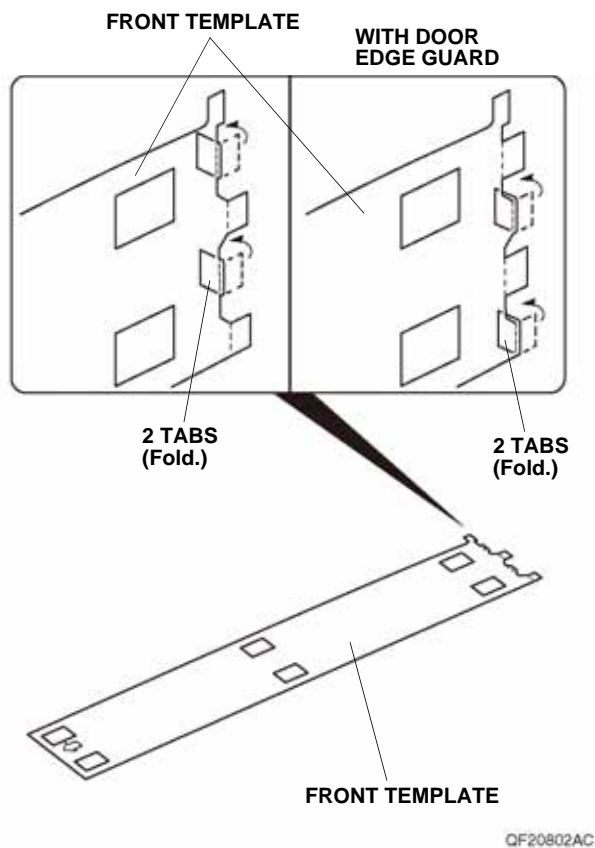
## INSTALLATION

**Customer Information:** The information in this installation instruction is intended for use only by skilled technicians who have the proper tools, equipment, and training to correctly and safely add equipment to your vehicle. These procedures should not be attempted by “do-it-yourselfers.”

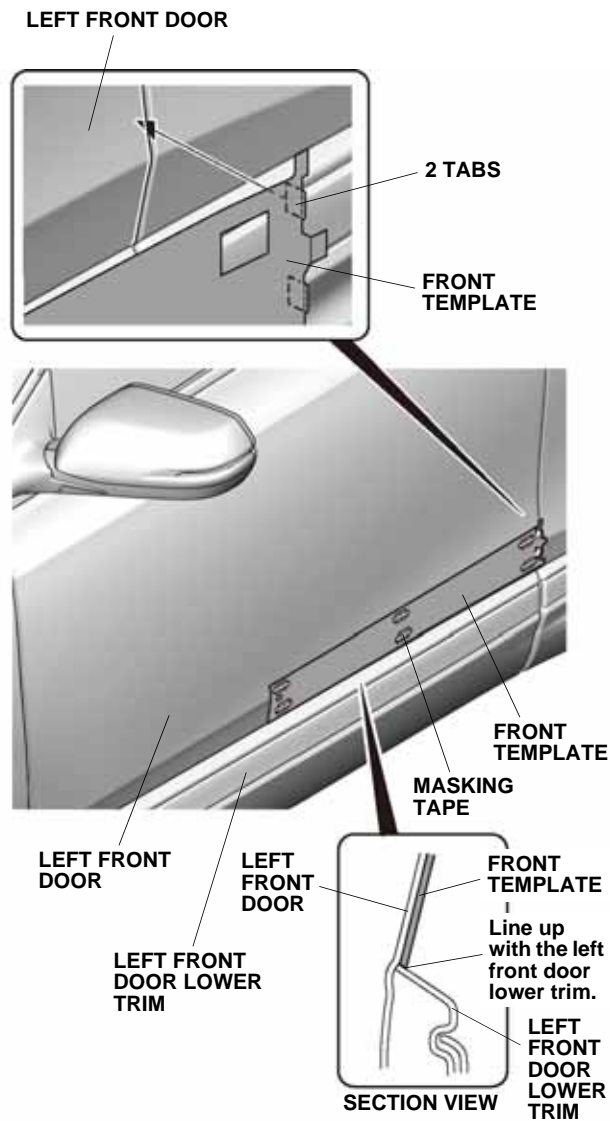
### NOTE:

- If you are also installing the door edge guards (sold separately), install them before you install the body side molding.
- Be careful not to damage the paint finish.
- These body side moldings should be installed only if the ambient air temperature is 15°C (60°F) or above.
- To allow the adhesive to cure, do not wash the vehicle for 24 hours. Make sure your customer is aware of this.

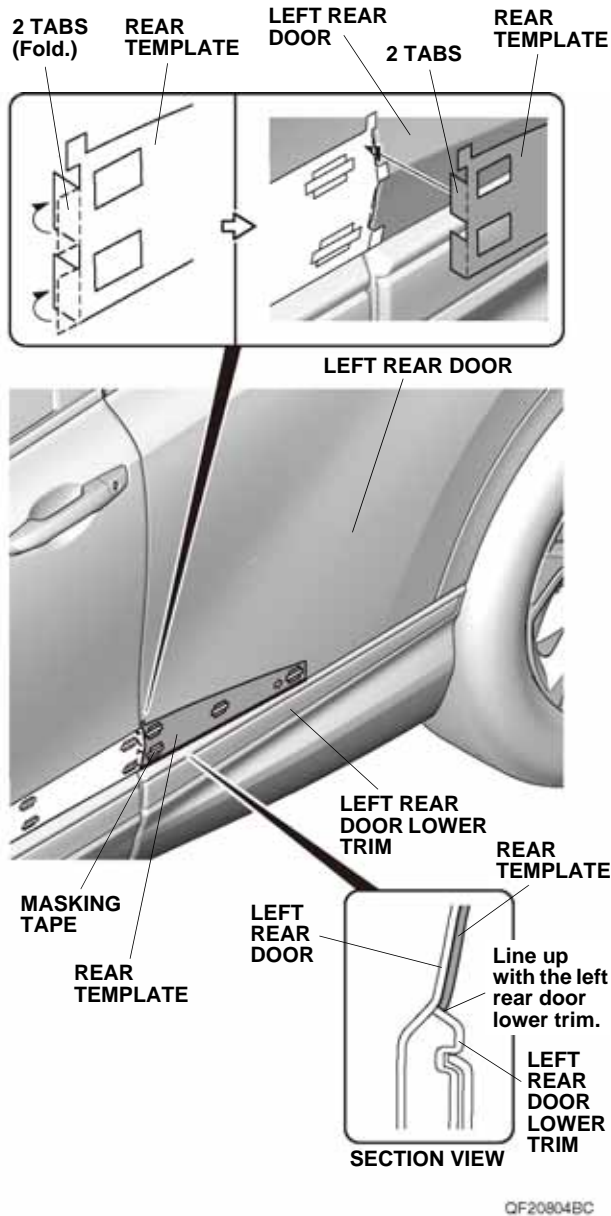
1. Fold two of the tabs on the front template as shown.



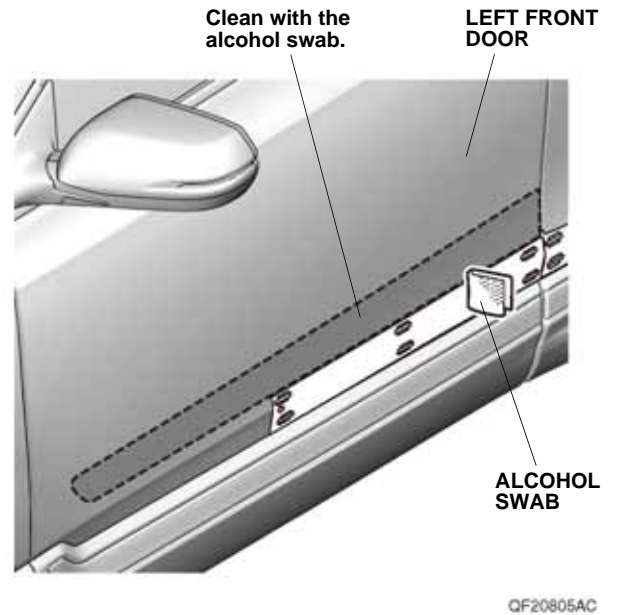
2. Insert the folded tabs on the front template between the left front door and left rear door. Line up the front template with the left front door lower trim, and attach it to the left front door with masking tape.



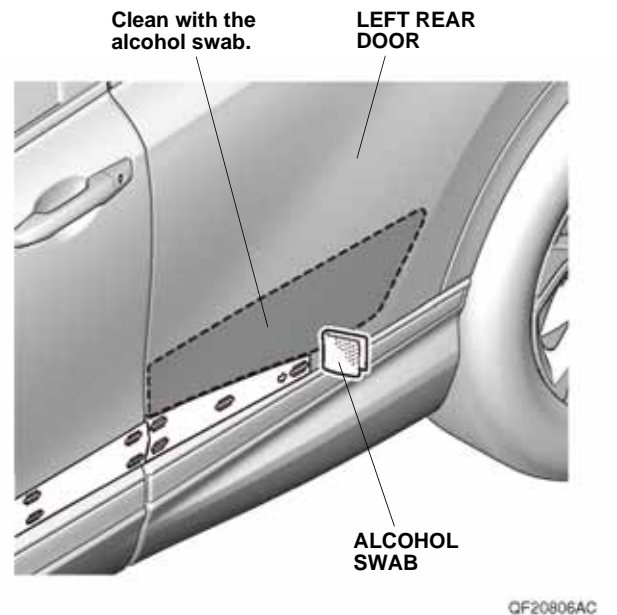
3. Fold the two tabs on the rear template as shown. Insert the folded tabs on the rear template between the left front door and left rear door. Line up the rear template with the left rear door lower trim, and attach it to the left rear door with masking tape.



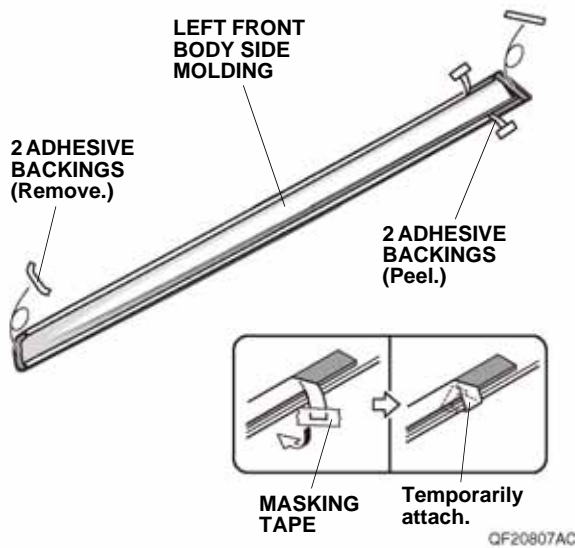
4. Using one alcohol swab, thoroughly clean the left front door where the left front body side molding will attach.



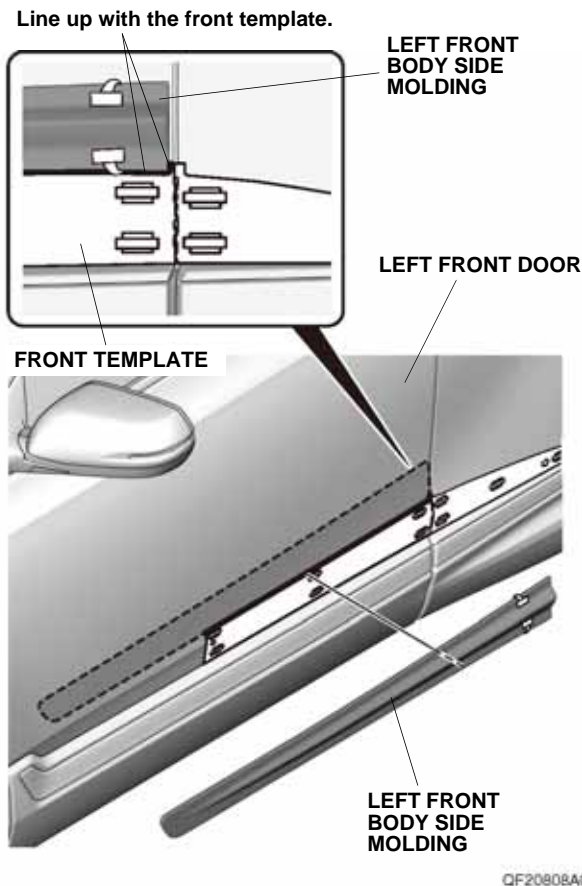
5. Using one alcohol swab, thoroughly clean the left rear door where the left rear body side molding will attach.



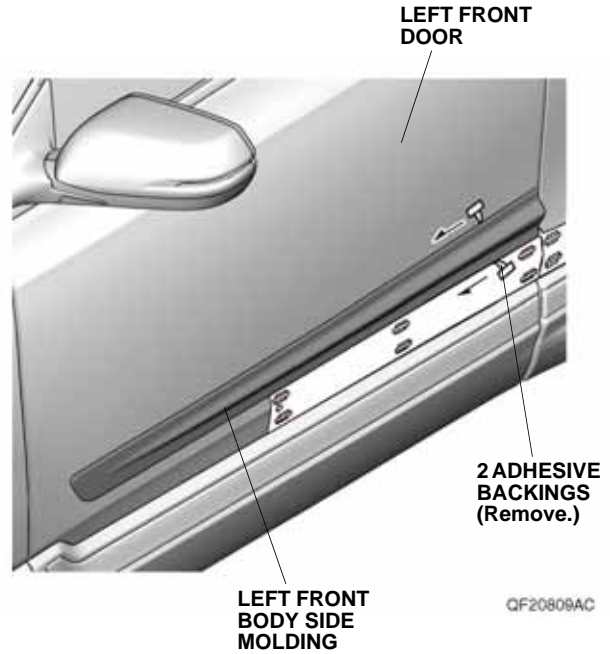
6. Peel back the adhesive backings, and tape them to the front surface of the left front body side molding with masking tape. Remove the remaining adhesive backings.



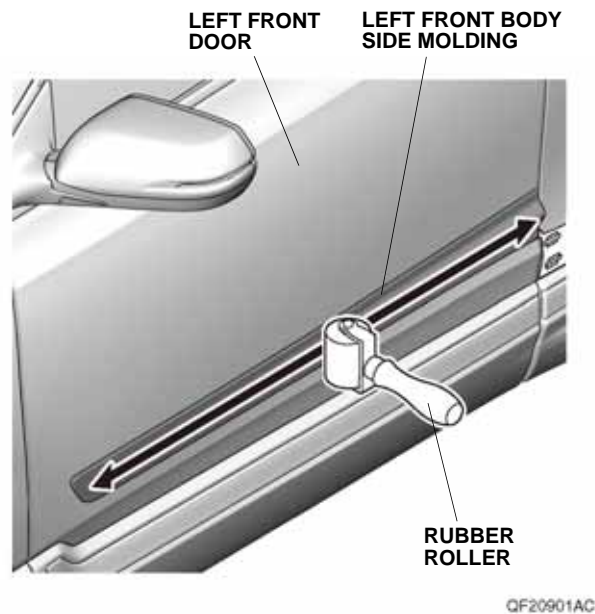
7. Line up the left front body side molding with the front template, and attach it to the left front door as shown.



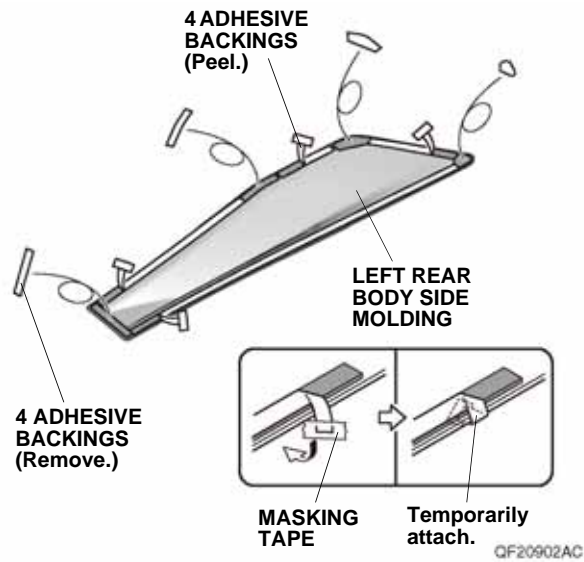
8. While applying light pressure against the left front body side molding, carefully remove the taped adhesive backings.



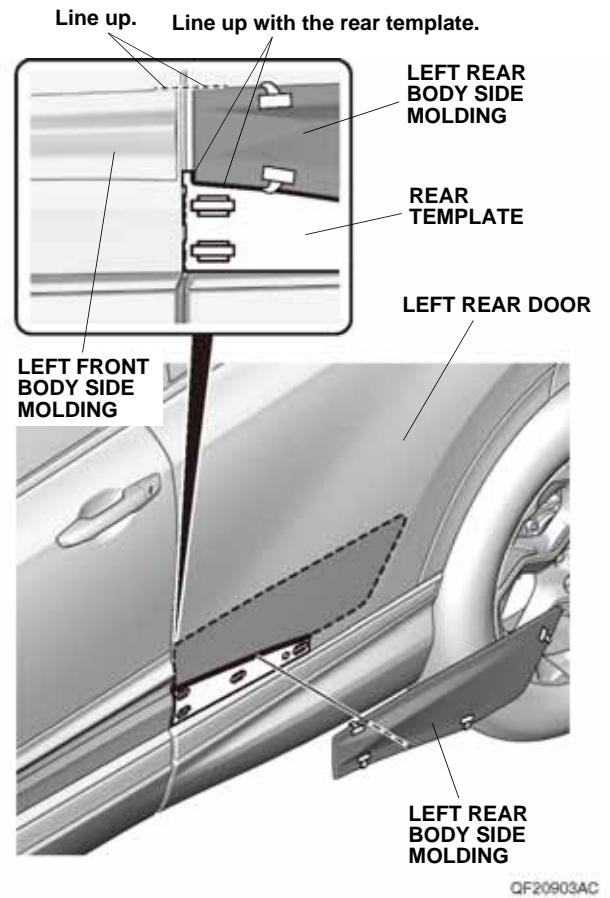
9. Remove the front template.
10. Using a rubber roller, apply firm pressure against the left front body side molding and roll from one end to the other. Apply firm pressure, especially at the ends.



11. Peel back the adhesive backings, and tape them to the front surface of the left rear body side molding with masking tape. Remove the remaining adhesive backings.



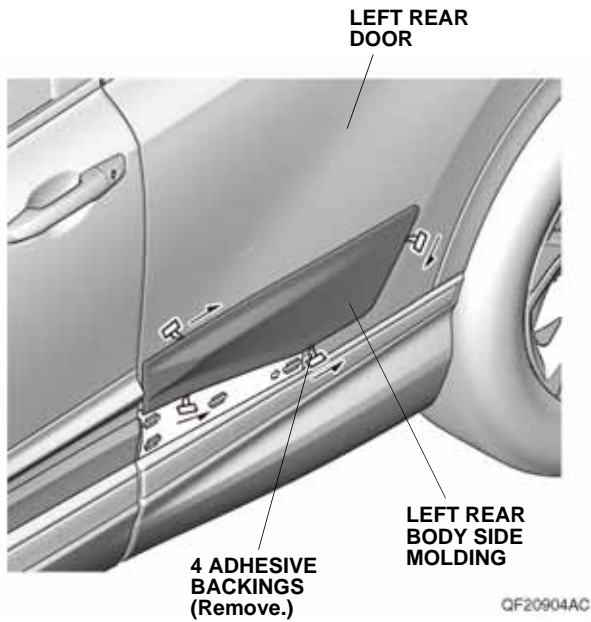
12. Line up the left rear body side molding with the rear template, and attach it to the left rear door as shown.



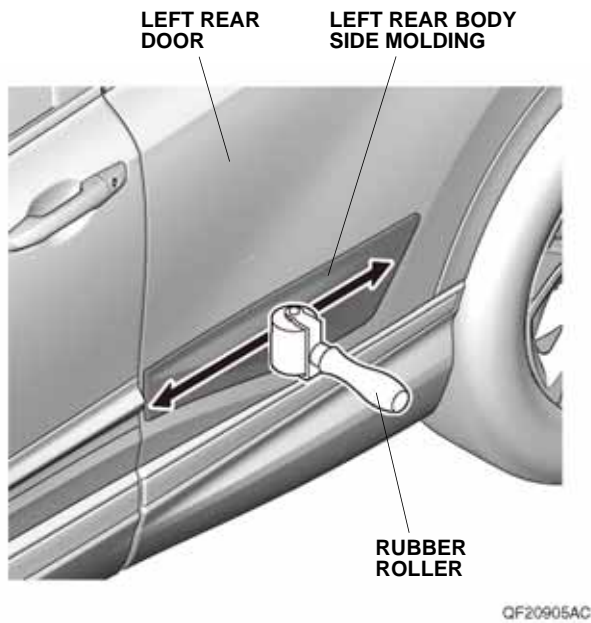
13. Make sure the edges of the left front body side molding and the left rear body side molding are lined up.



14. While applying light pressure against the left rear body side molding, carefully remove the taped adhesive backings.



15. Remove the rear template.
16. Using a rubber roller, apply firm pressure against the left rear body side molding and roll from one end to the other. Apply firm pressure, especially at the ends.



17. Turn the templates over, and repeat steps 1 through 16 on the right side of the vehicle.