



## INSTALLATION INSTRUCTIONS

Accessory  
**AMBIENT LIGHTS**  
P/N 08E10-TLA-100

Application  
**2018 CR-V**

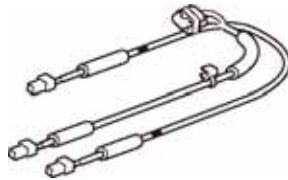
Publications No.  
**VERSION 1**  
Issue Date  
**OCT 2017**

### PARTS LIST

2 Ambient lights



Ambient light harness



9 Wire ties



2 Self-tapping screws



Fuse label



### TOOLS AND SUPPLIES REQUIRED

Phillips screwdriver

10 mm Open end wrench

Ratchet

8 mm Socket

Diagonal cutters

Isopropyl alcohol

Shop towel

Tape

Masking tape

Steel wire

Drill

File

Pushpin

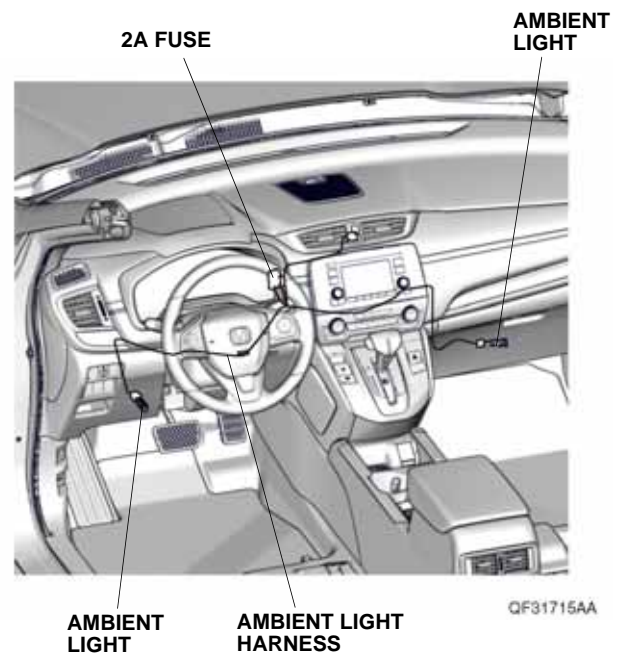
3 mm, 5 mm, 6 mm, 8 mm, and 12 mm Drill bits

Eye protection (face shield, safety goggles, etc.)

*The following tool is available through the Honda Tool and Equipment Program. On the iN, click on Service > Service Bay > Tool and Equipment Program, then enter the number under "Search." Or, call 888-424-6857.*

Trim Tool Set (T/N SOJATP2014)

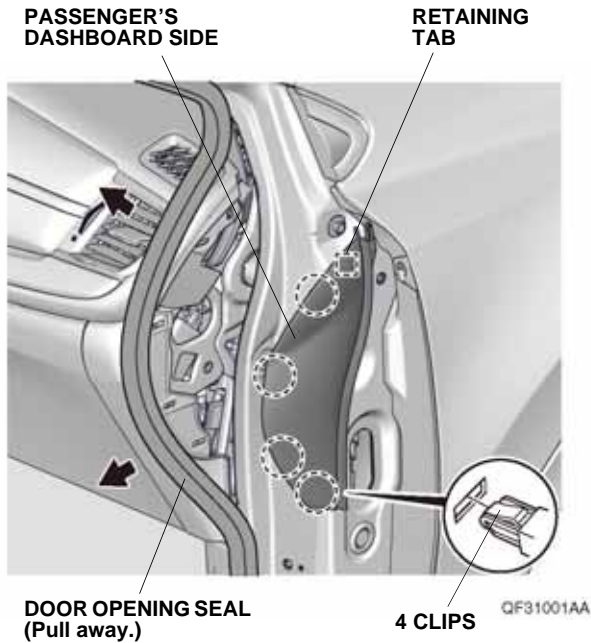
### Illustration of the Ambient Lights on the Vehicle



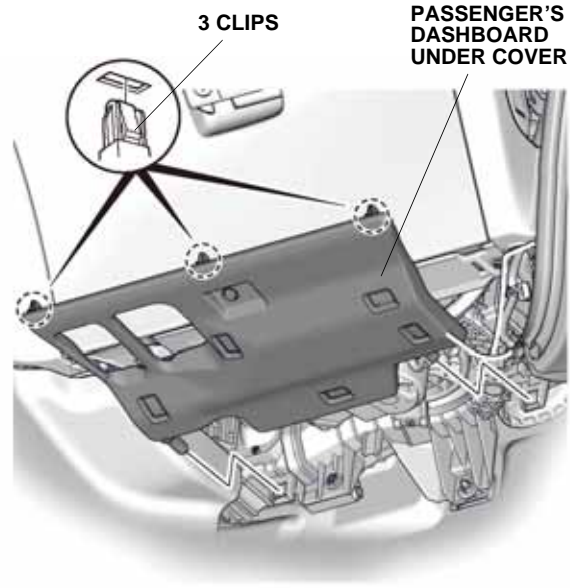
## INSTALLATION

**Customer Information:** The information in this installation instruction is intended for use only by skilled technicians who have the proper tools, equipment, and training to correctly and safely add equipment to your vehicle. These procedures should not be attempted by “do-it-yourselfers.”

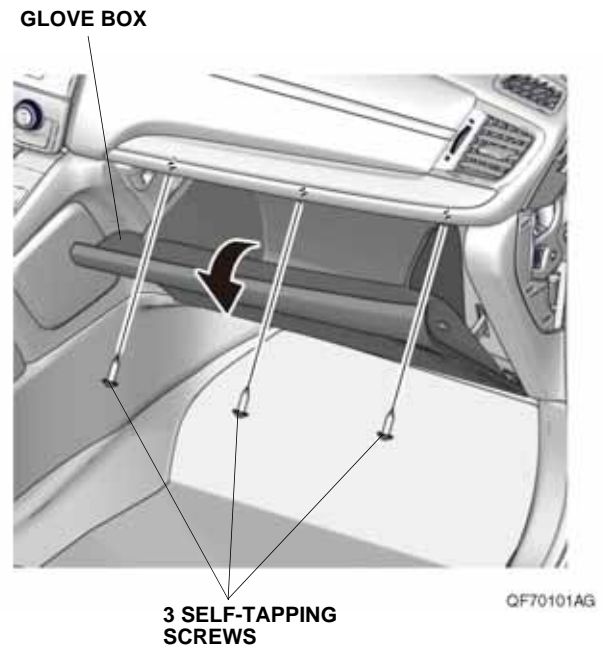
1. Disconnect the negative cable from the battery.
2. Pull away the door opening seal and remove the passenger's dashboard side lid.



3. Remove the passenger's dashboard under cover.



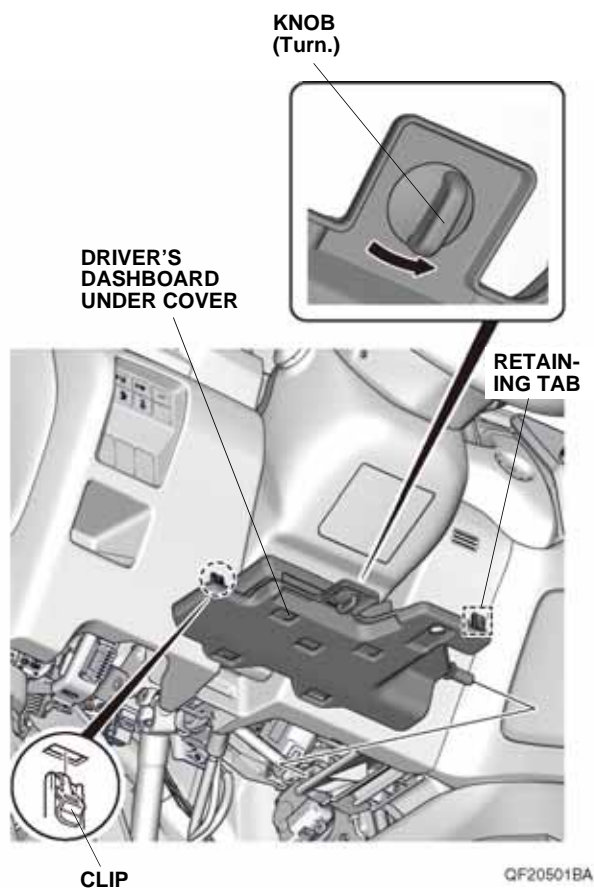
4. Open the glove box and remove the three self-tapping screws.



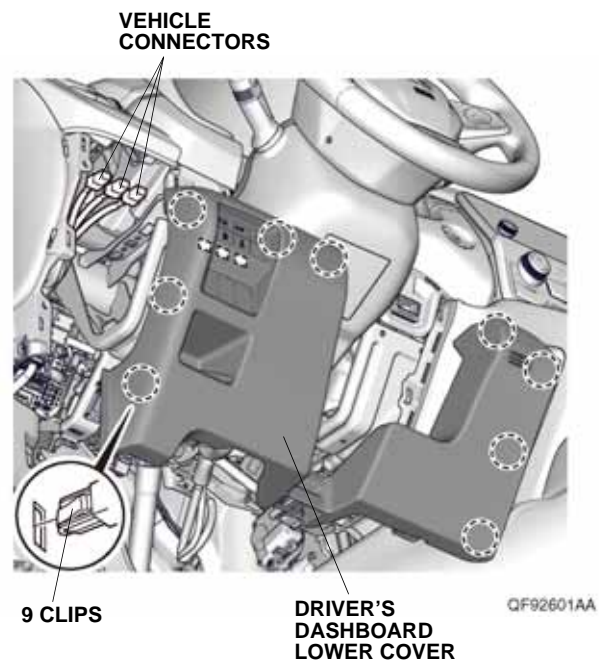
5. Close the glove box and remove it.



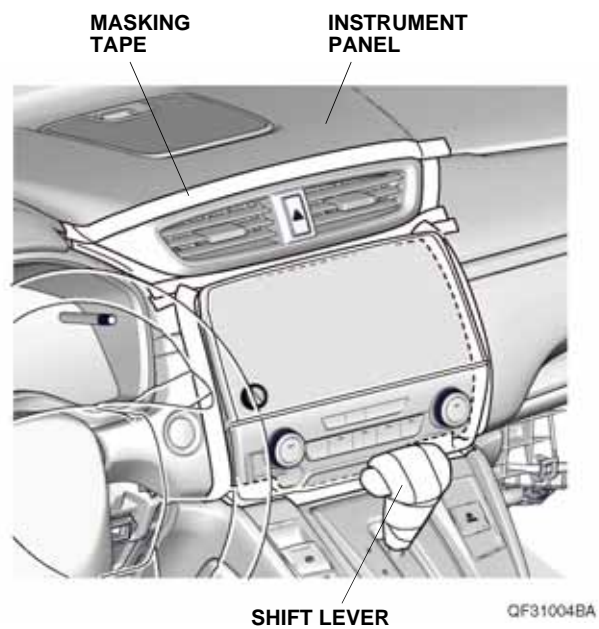
6. Remove the driver's dashboard under cover.



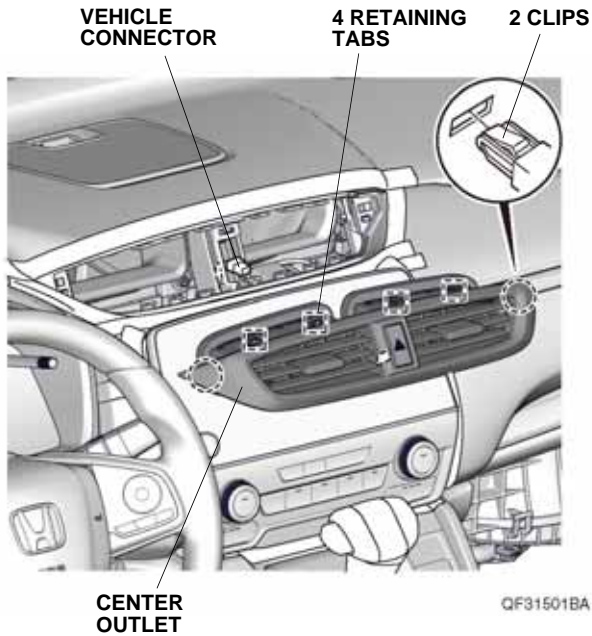
7. Remove the driver's dashboard lower cover and unplug the vehicle connectors.



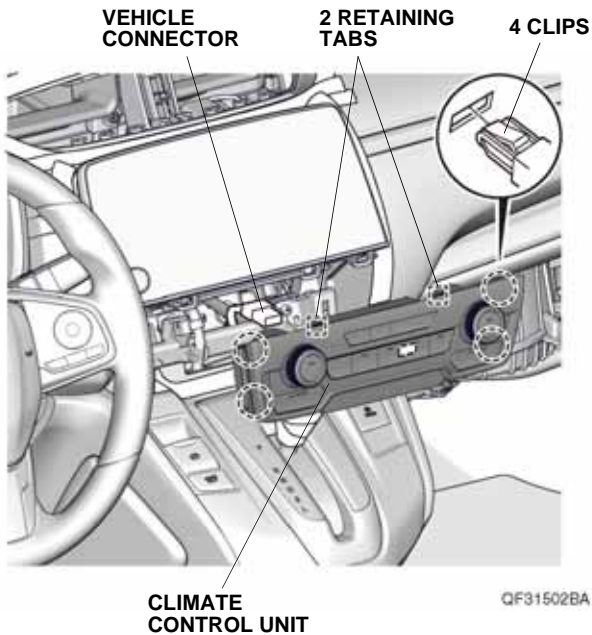
8. Apply masking tape as shown.



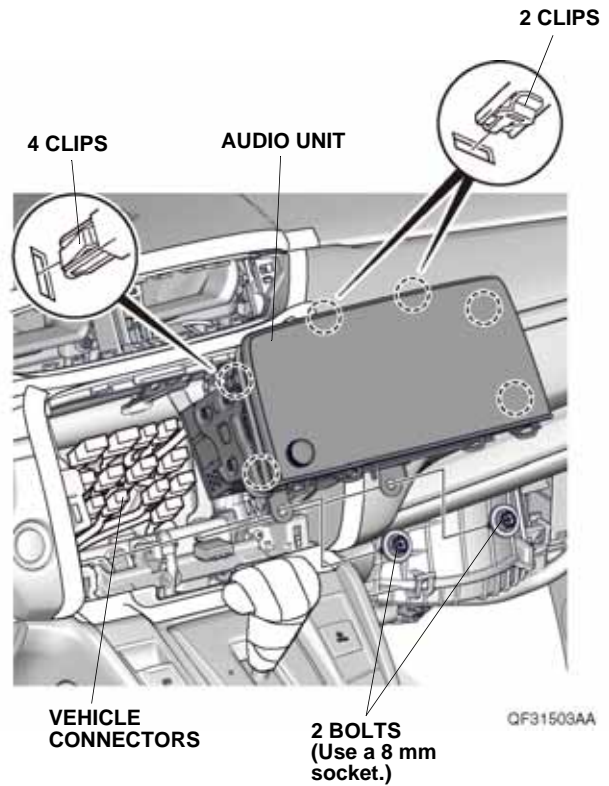
9. Remove the center outlet and unplug the vehicle connector.



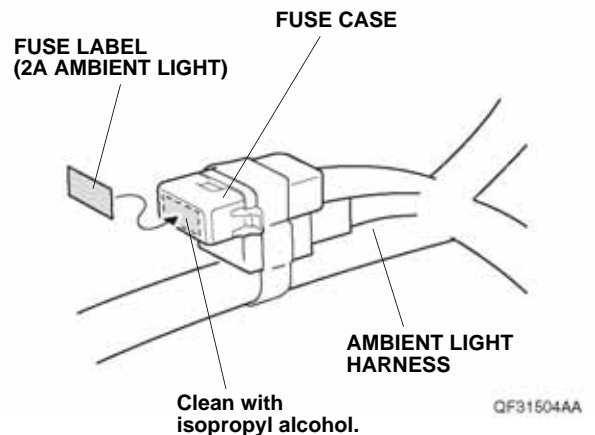
10. Remove the climate control unit and unplug the vehicle connector.



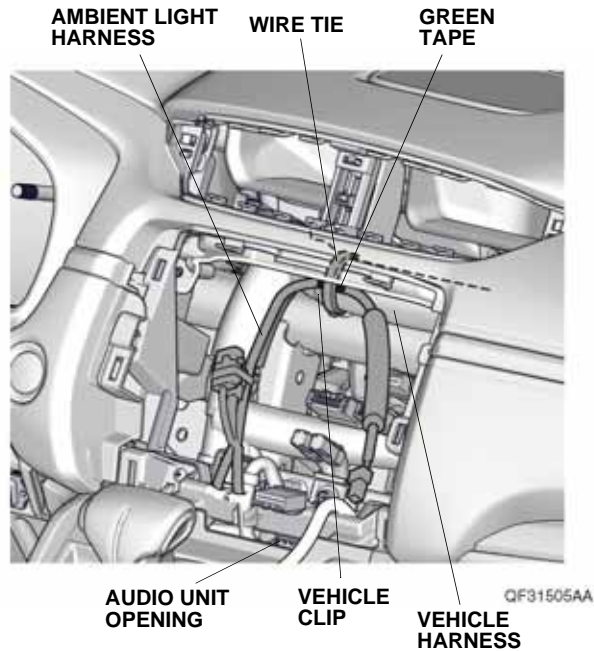
11. Remove the audio unit and unplug the vehicle connectors.



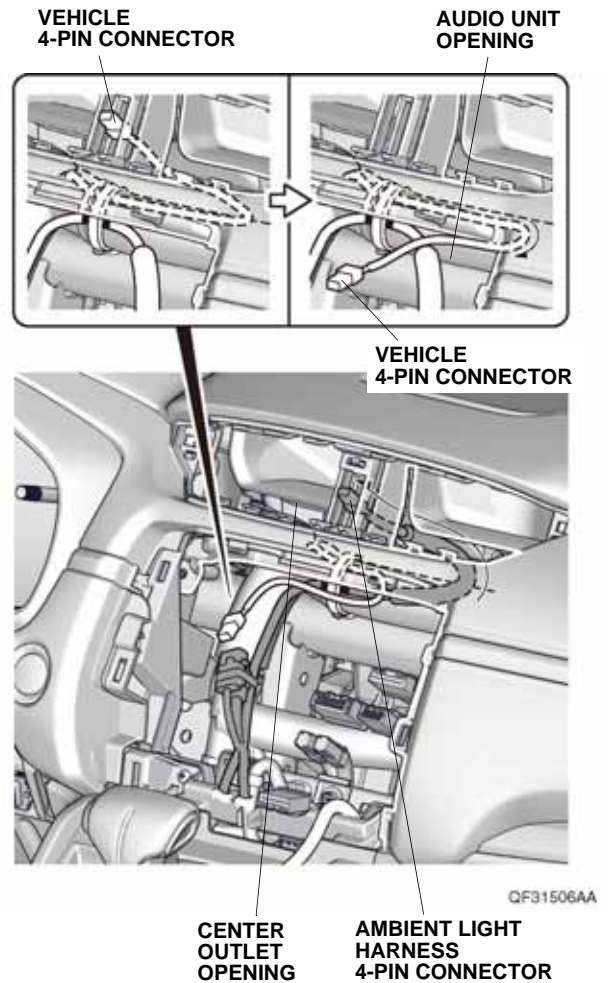
12. Using isopropyl alcohol on a shop towel, thoroughly clean the fuse case where the fuse label will attach. Attach the fuse label (2A AMBIENT LIGHT) to the fuse case on the ambient light harness.



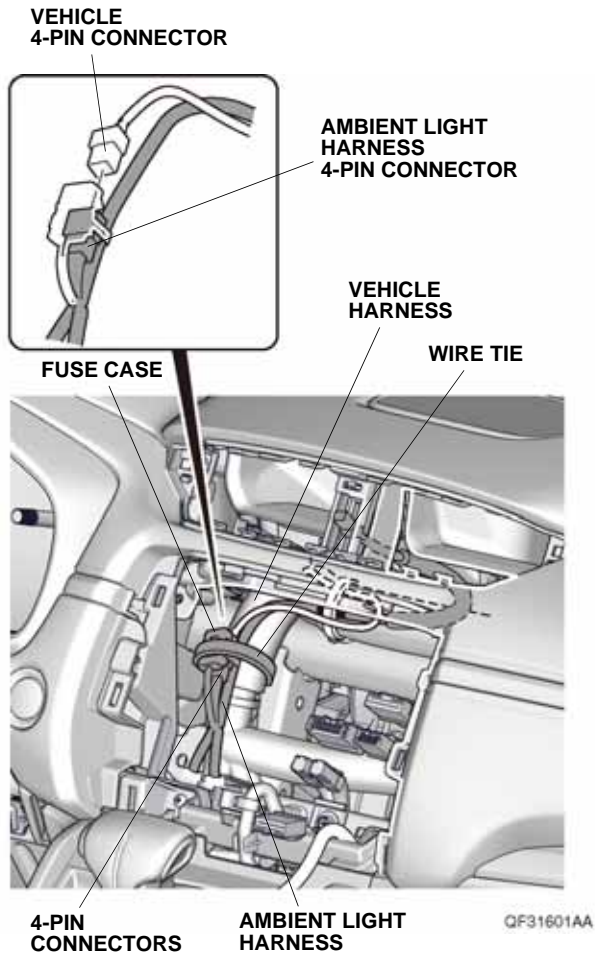
13. Line up the edge of green tape on the ambient light harness with the clip on the vehicle harness and secure the ambient light harness to the vehicle harness with one wire tie as shown.



14. Route the vehicle 4-pin connector and ambient light harness 4-pin connector as shown.

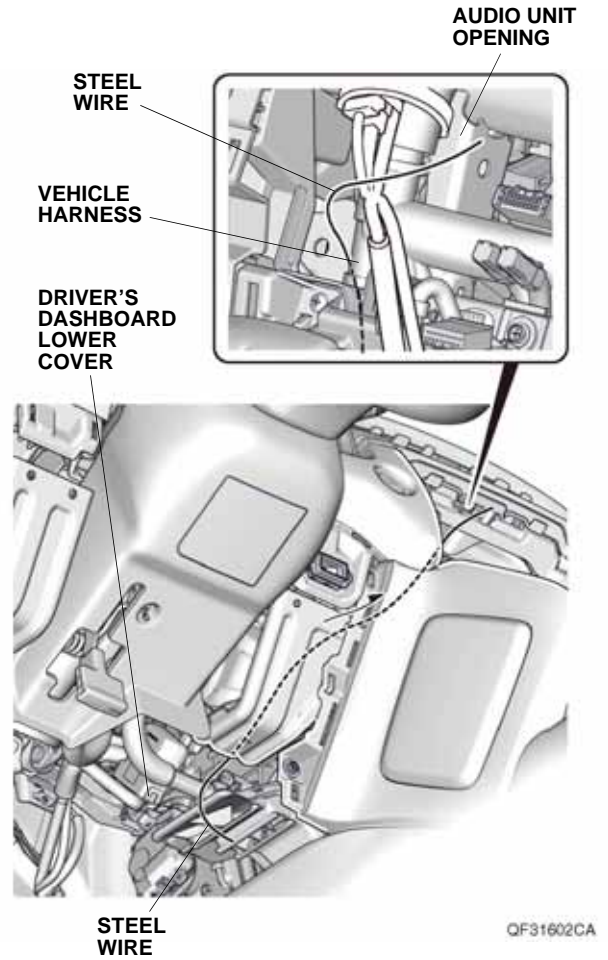


15. Plug the vehicle 4-pin connector into the ambient light harness 4-pin connector.

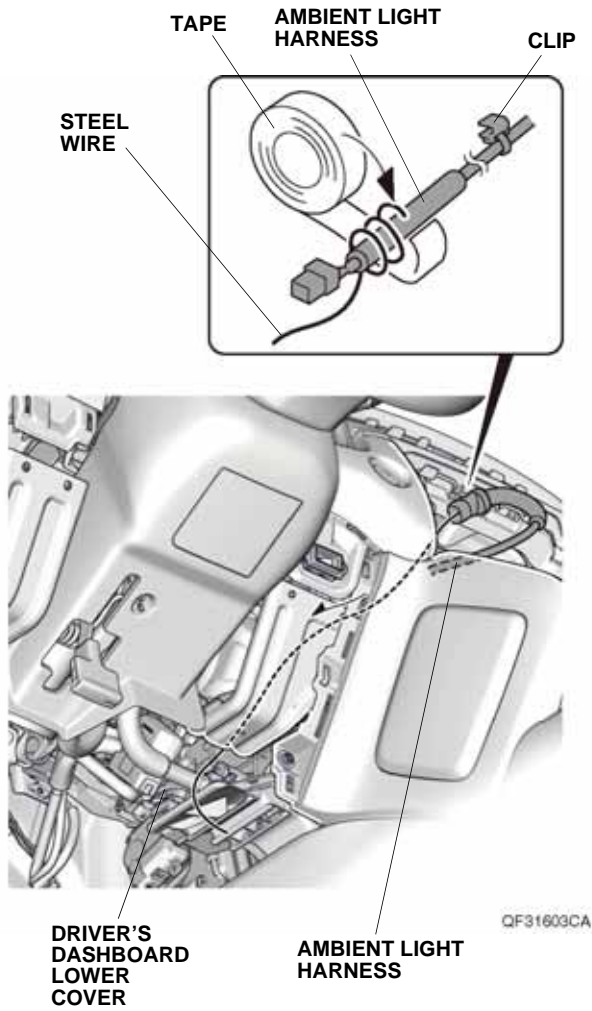


16. Secure the 4-pin connectors, fuse case, and ambient light harness to the vehicle harness with one wire tie as shown.

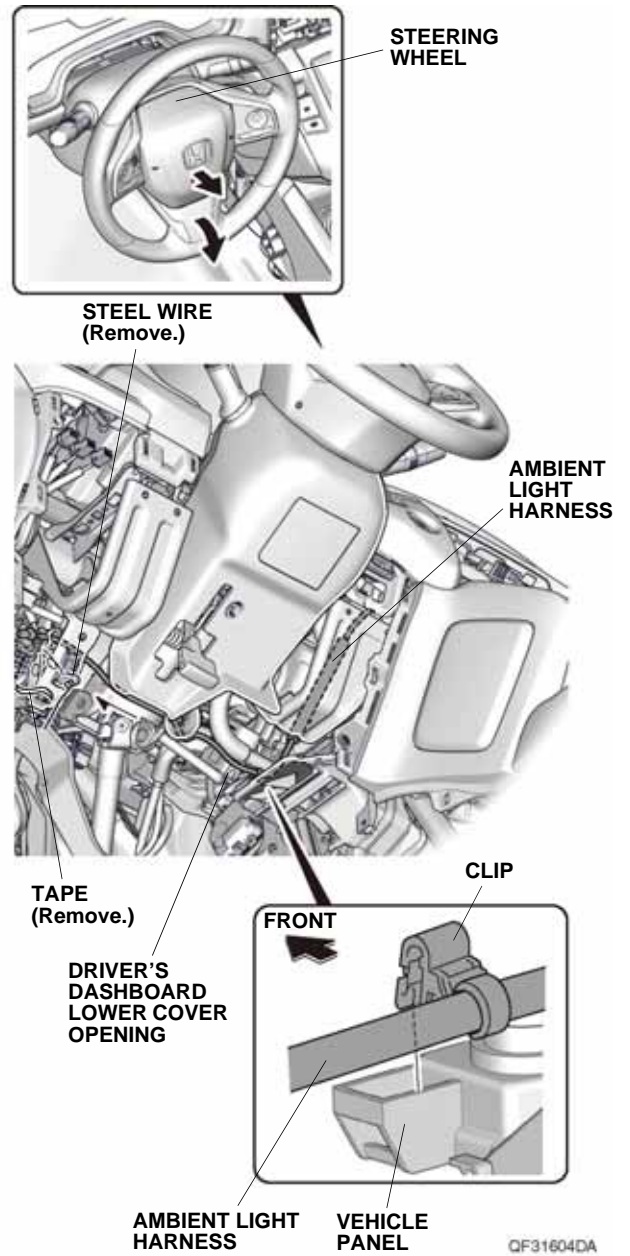
17. Route a piece of steel wire as shown.



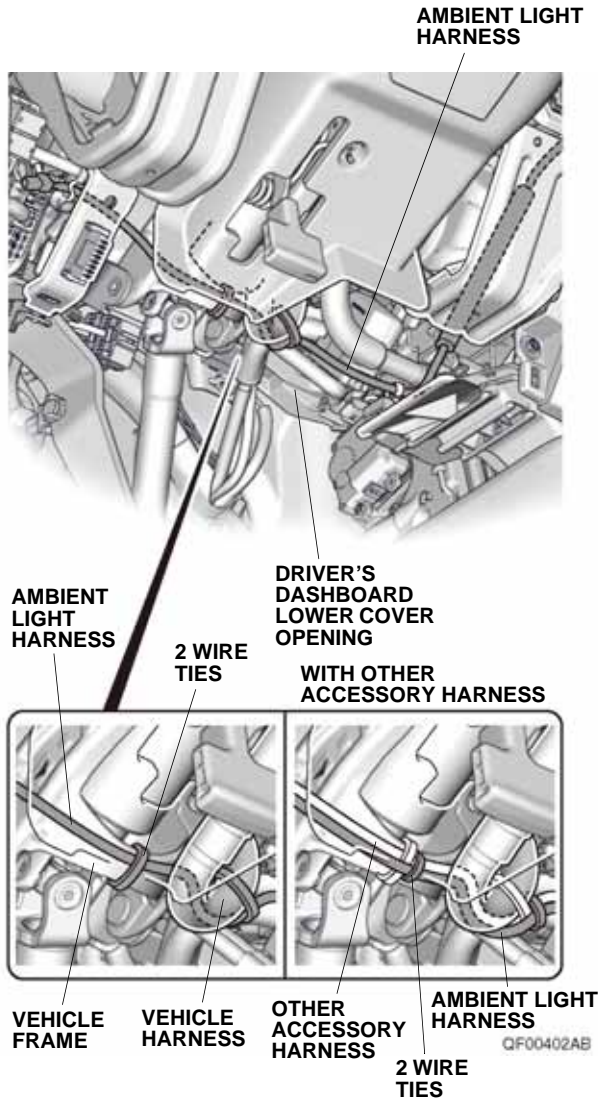
18. Attach the steel wire to the ambient light harness with tape and route the harness as shown.



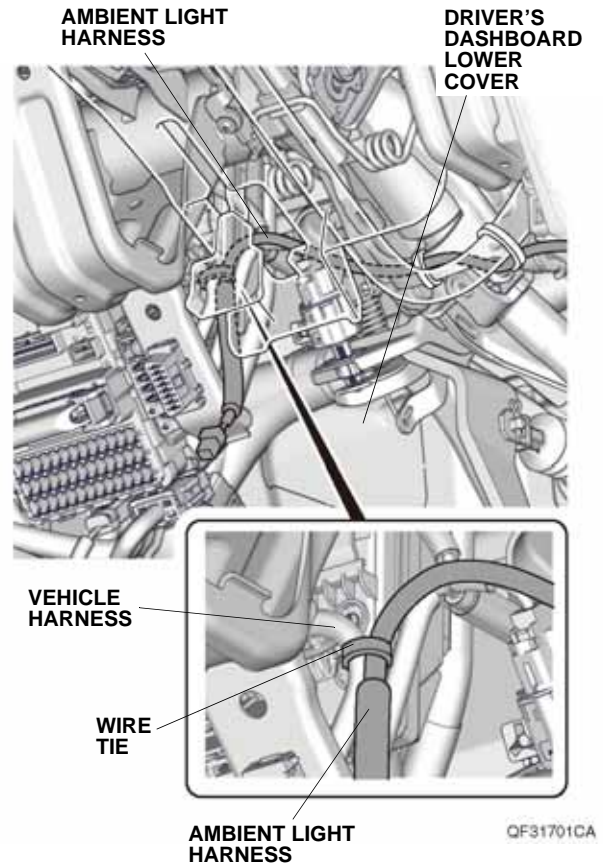
19. Lower and pull out the steering wheel. Route the ambient light harness as shown. Remove the tape and steel wire. Secure the ambient light harness to the vehicle panel with one clip on the ambient light harness.



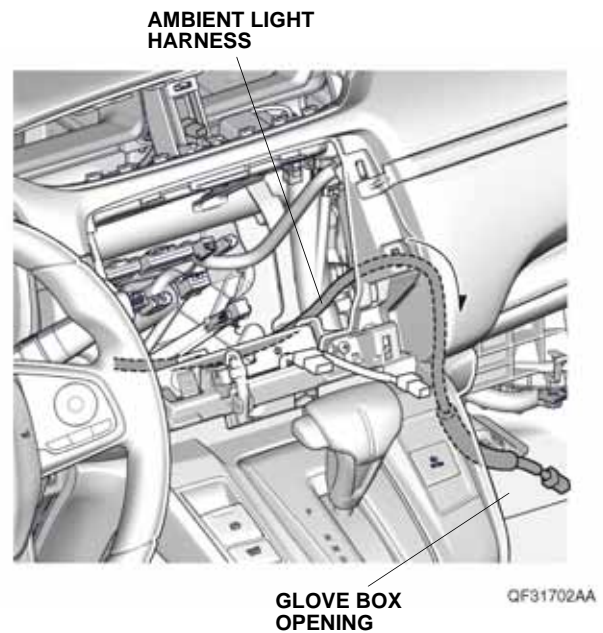
20. Secure the ambient light harness to the vehicle frame and vehicle harness with two wire ties. If the vehicle is already equipped with the other accessory harness, secure the ambient light harness to the other accessory harness with two wire ties as shown.



21. Secure the ambient light harness to the vehicle harness with one wire tie. Move the steering wheel up and down through its full adjustment range and make sure the ambient light harness is not being pinched or stretched.

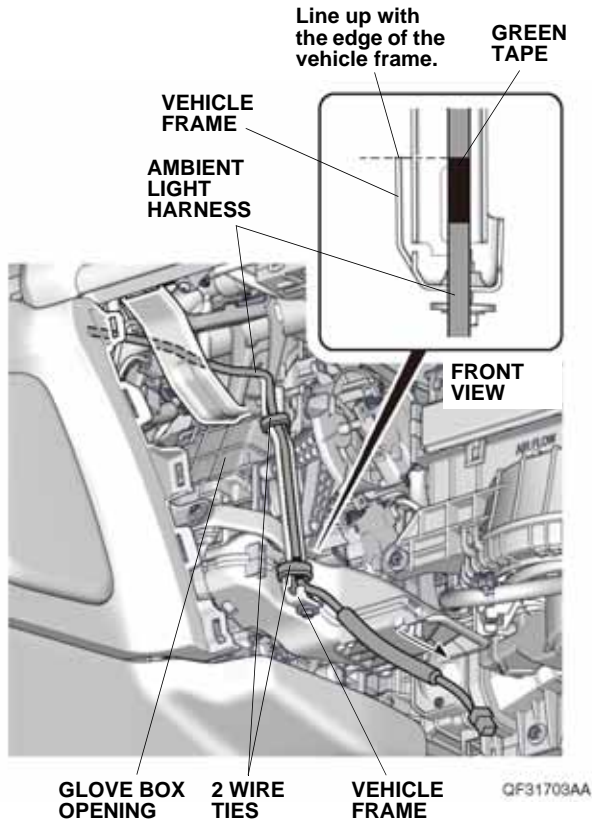


22. Route the ambient light harness through the glove box opening.

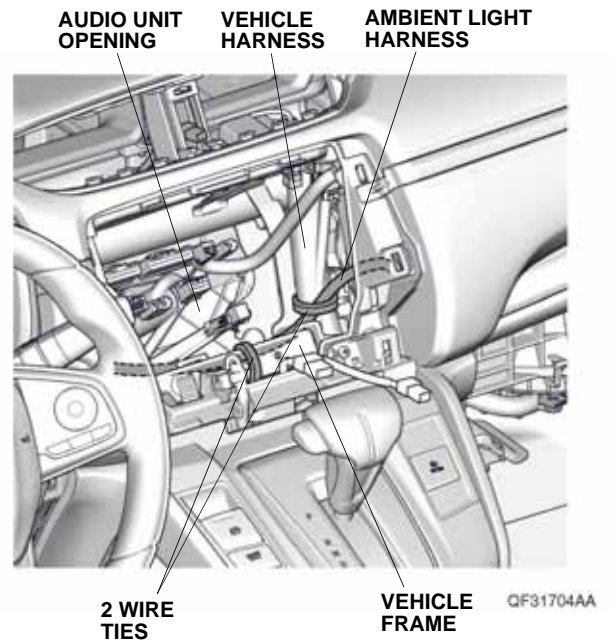




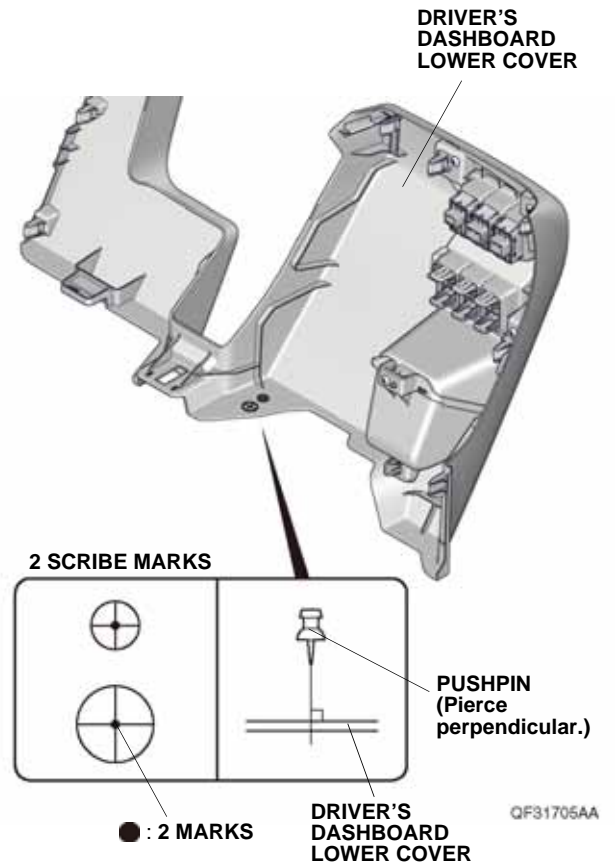
23. Line up the green tape on the ambient light harness with the edge of the vehicle frame as shown. Secure the ambient light harness to the vehicle frame with two wire ties.



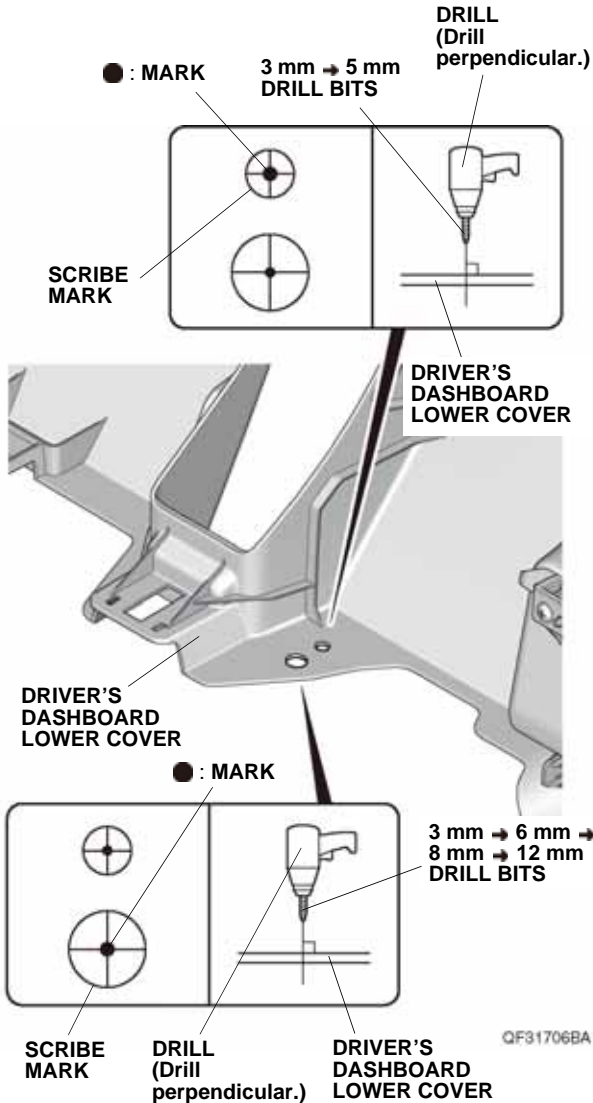
24. Secure the ambient light harness to the vehicle harness and vehicle frame with two wire ties.



25. Using a pushpin, pierce the driver's dashboard lower cover as shown.  
NOTE: Make sure to pierce the scribe marks perpendicular to the driver's dashboard lower cover.

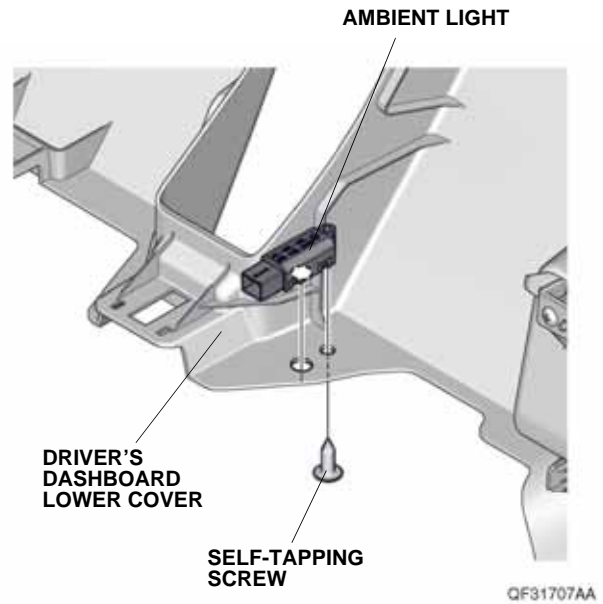


26. While wearing eye protection, drill the pierced mark on the driver's dashboard lower cover to 5 mm. First drill with a 3 mm drill bit and finish with a 5 mm drill bit. Remove any burrs.  
NOTE: Make sure to drill perpendicular to the driver's dashboard lower cover.

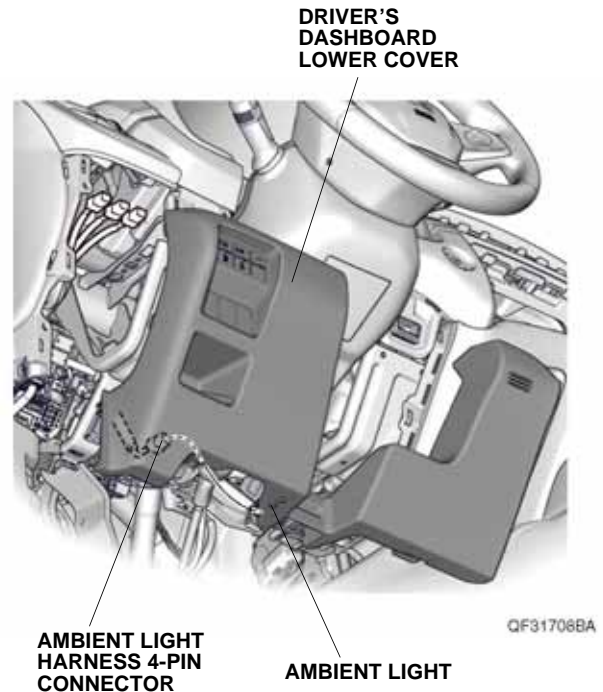


27. While wearing eye protection, drill the pierced mark on the driver's dashboard lower cover to 12 mm. First drill with a 3 mm drill bit, next drill with a 6 mm drill bit and an 8 mm drill bit, and finish with a 12 mm drill bit. Remove any burrs.  
NOTE: Make sure to drill perpendicular to the driver's dashboard lower cover.

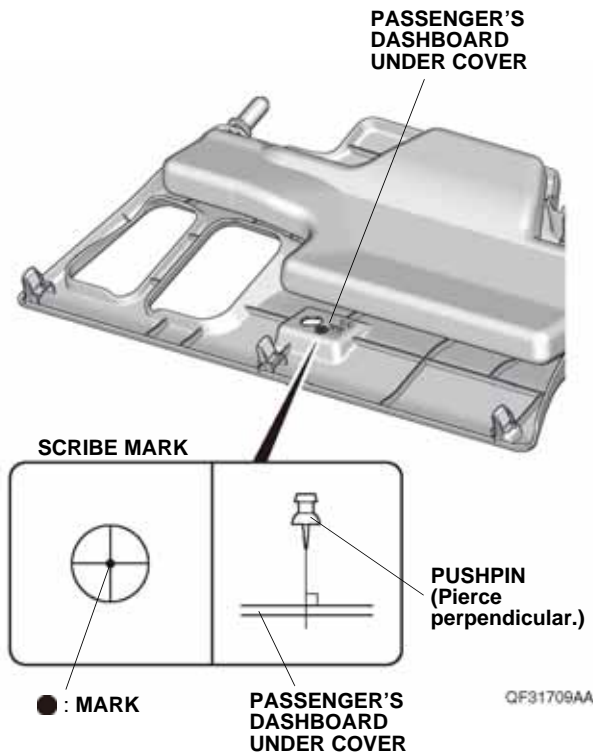
28. Attach the ambient light to the driver's dashboard lower cover with one self-tapping screw.



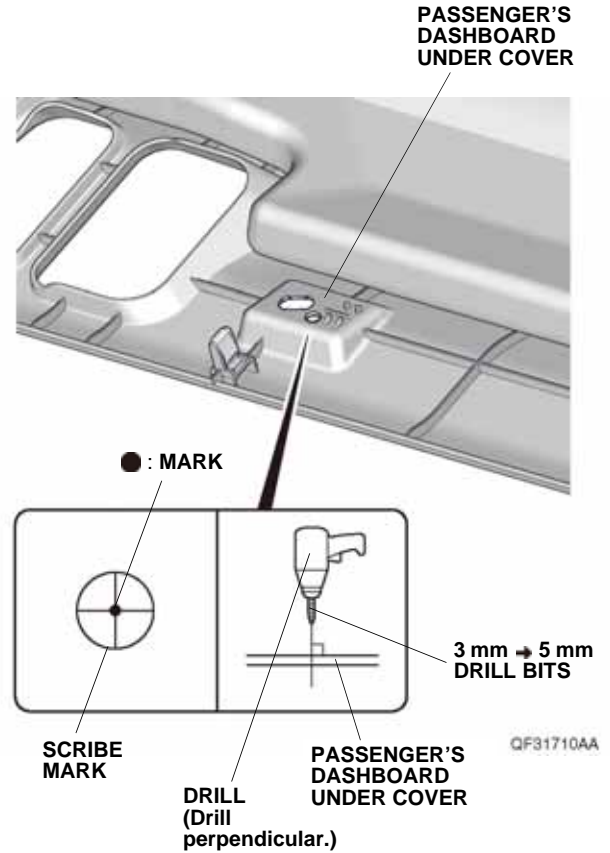
29. Plug the ambient light harness 4-pin connector into the ambient light, then install the driver's dashboard lower cover.



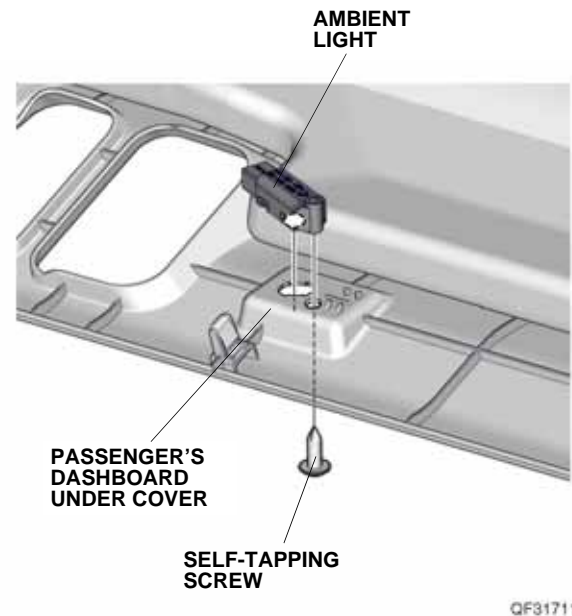
30. Using a pushpin, pierce the passenger's dashboard under cover as shown.  
 NOTE: Make sure to pierce the scribe mark perpendicular to the passenger's dashboard under cover.



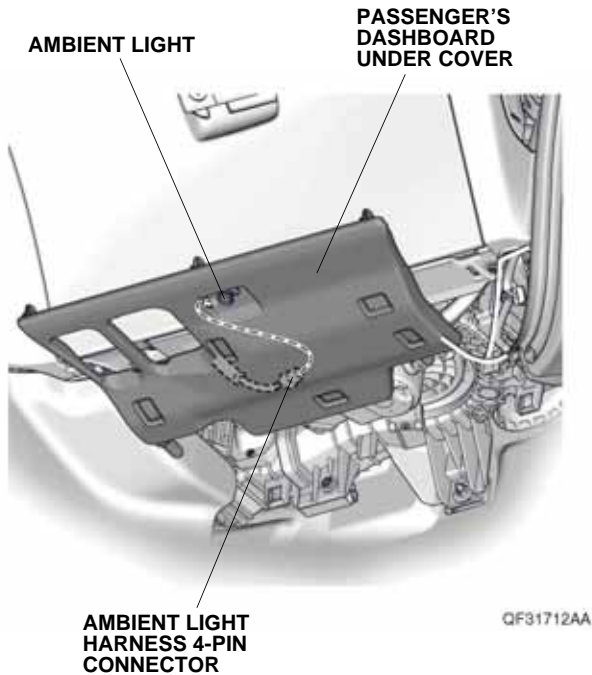
31. While wearing eye protection, drill the pierced mark on the passenger's dashboard under cover to 5 mm. First drill with a 3 mm drill bit and finish with a 5 mm drill bit. Remove any burrs.  
 NOTE: Make sure to drill perpendicular to the passenger's dashboard under cover.



32. Attach the ambient light to the passenger's dashboard under cover with one self-tapping screw.



33. Install the glove box. Plug the ambient light harness 4-pin connector into the ambient light, then install the passenger's dashboard under cover.



34. Install the audio unit and climate control unit. Plug the ambient light harness 4-pin connector into the center outlet, then install the center outlet.



35. Check that all wire harnesses are routed properly and all connectors are plugged in.
36. Install all removed parts.
37. Connect the negative cable to the battery.
38. Press and hold the audio unit power button for 2 seconds to restore the audio and navi (if equipped) system functions.
39. Set the clock on vehicles without navigation.
40. If necessary, restore the systems back to normal operation as described in the service information.

### Check the Operation of the Ambient Light

41. With the light switch set to the or position, the ambient lights are on.
42. When the headlight switch is in the AUTO position the ambient lights are on with the parking lights or headlights.
43. Check that the interior illumination brightness varies along with the instrument panel brightness by turning the brightness control knob.
44. If the ambient lights do not come on, check the fuse and all the connectors.

