



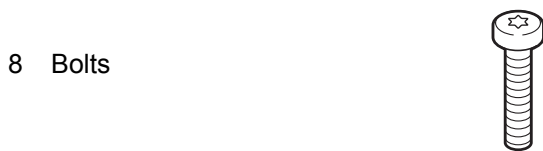
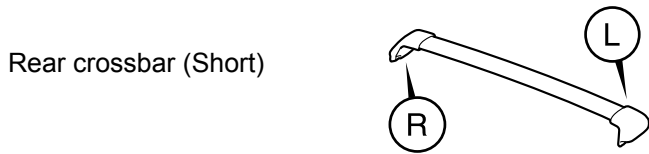
## INSTALLATION INSTRUCTIONS

Accessory  
**CROSSBARS**  
 P/N 08L04-T0A-100

Application  
**2016 CR-V**

Publications No.  
**VERSION 1**  
 Issue Date  
**SEP 2015**

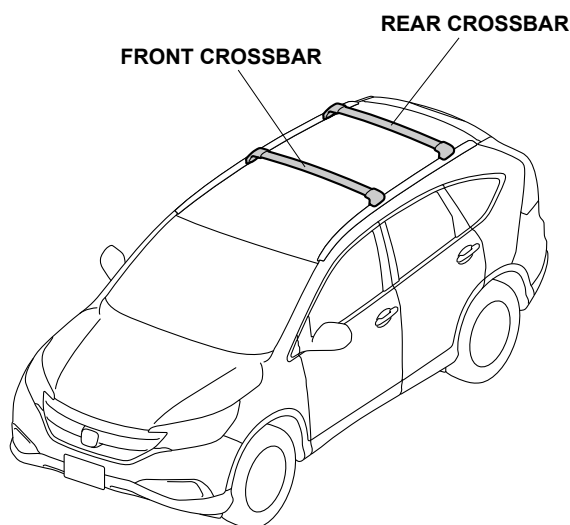
### PARTS LIST



### TOOLS AND SUPPLIES REQUIRED

- T-30 Torx bit
- Torque wrench

### Illustration of the Crossbars on the Vehicle



### INSTALLATION

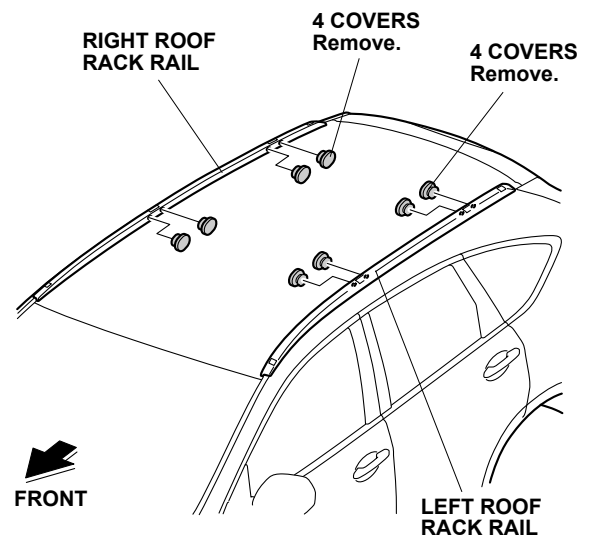
**Customer Information:** The information in this installation instruction is intended for use only by skilled technicians who have the proper tools, equipment, and training to correctly and safely add equipment to your vehicle. These procedures should not be attempted by “do-it-yourselfers.”

#### NOTE:

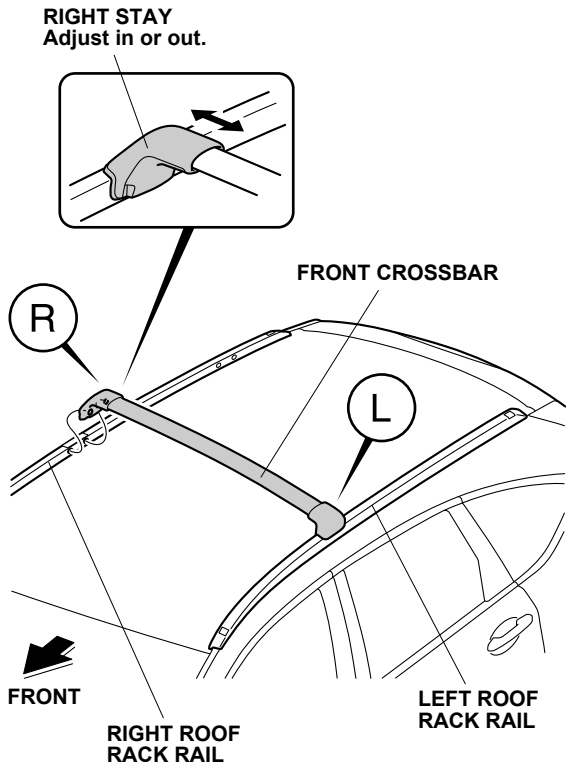
- The weight of the cargo must not exceed the maximum weight capacity of 75 kg (165 lbs).
- Be careful not to damage the roof and other finished surfaces of the body when installing the crossbars.

#### Installing the Crossbars

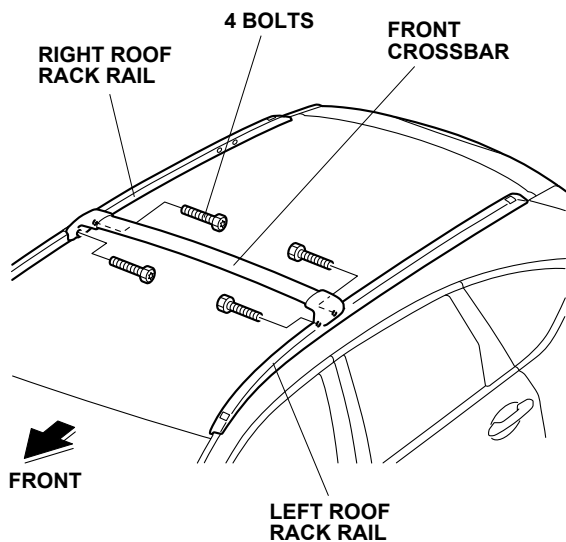
- On each roof rack rail, remove the four covers.



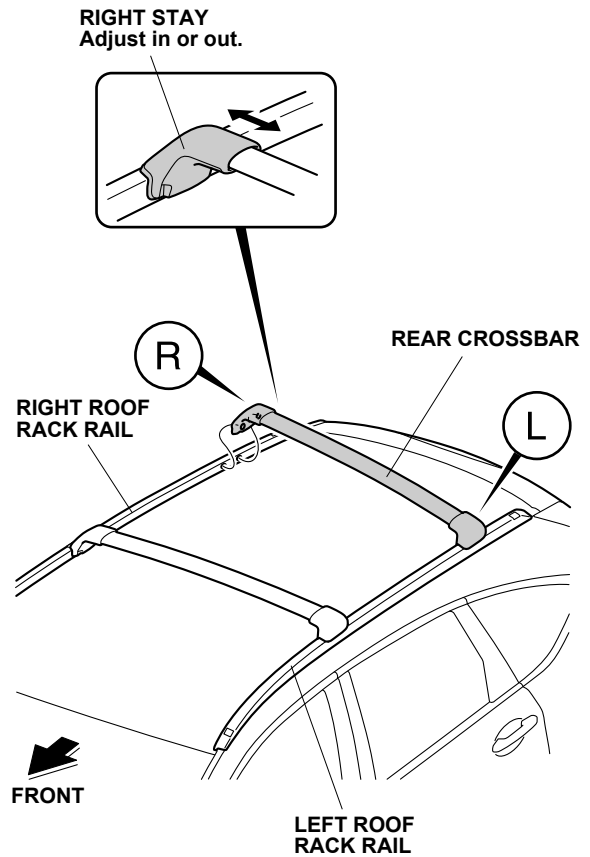
2. Position the front crossbar onto the left and right roof rack rail, and adjust the right stay in or out until it fits securely into position.



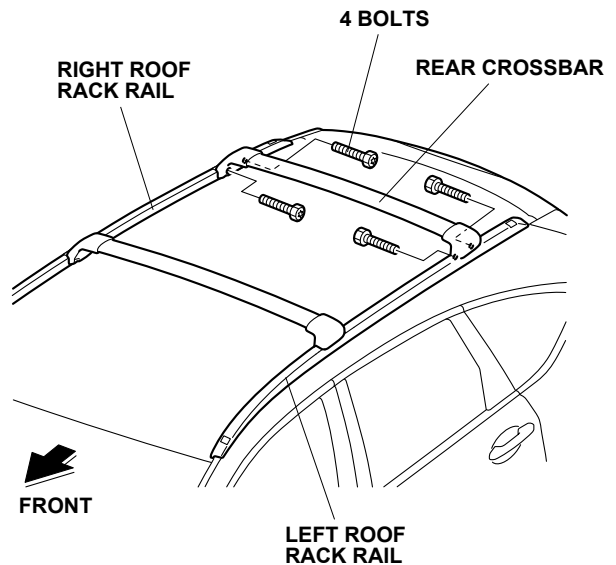
3. Secure the front crossbar to the roof rack rails using four bolts. Torque the bolts to 10 N·m (7.3 lbf-ft).



4. Position the rear crossbar onto the left and right roof rack rail, and install the rear crossbar the same way.



5. Secure the rear crossbar to the roof rack rails using four bolts. Torque the bolts to 10 N·m (7.3 lbf-ft).



## USE AND CARE

- Check the crossbar mounting bolts frequently, and re-tighten if necessary.
- Distribute the weight of the cargo evenly, and do not exceed the maximum weight capacity of 75 kg (165 lbs).