



## INSTALLATION INSTRUCTIONS

Accessory  
**CARGO NET**  
 P/N 08L96-T0A-100

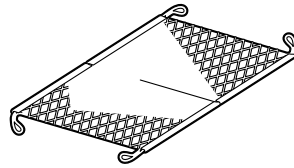
Application  
**2016 CR-V**

Publications No.  
**VERSION 1**  
 Issue Date  
**SEPT 2015**

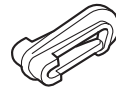
Put this information in the glove box with the vehicle owner's manual.

### PARTS LIST

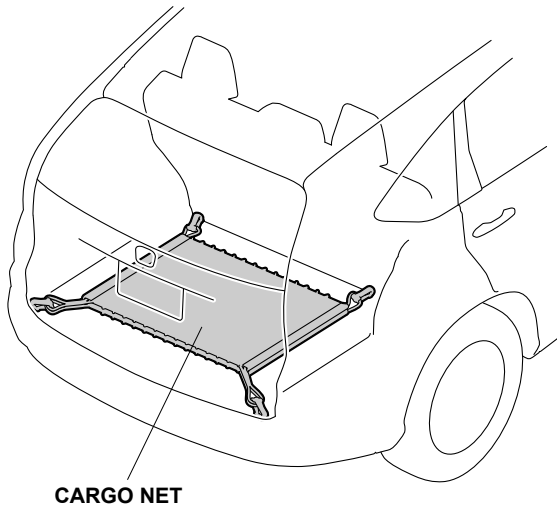
Cargo net



4 Snaps

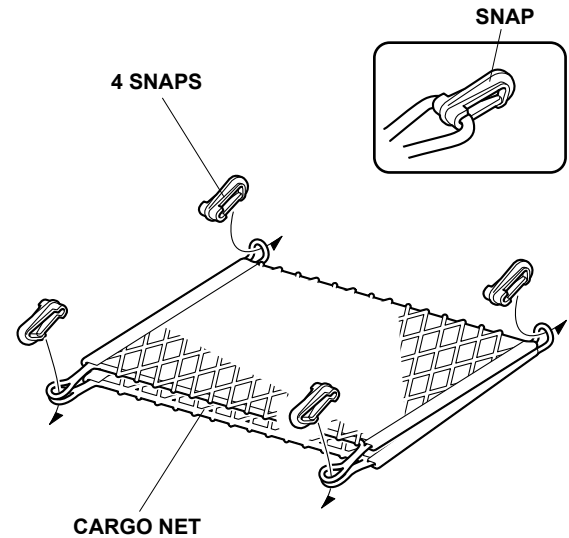


### Illustration of the Cargo Net in the Vehicle

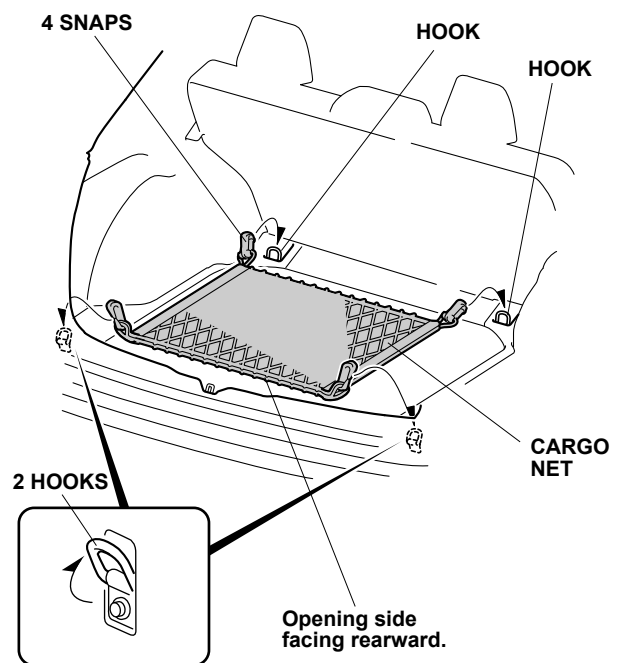


### Installing the Cargo Net

1. Fold the cargo net in half, and attach four snaps to the cargo net as shown.



2. Open the tailgate, and secure four snaps to the hooks in the cargo area.



### INSTALLATION

**Customer Information:** The information in this installation instruction is intended for use only by skilled technicians who have the proper tools, equipment, and training to correctly and safely add equipment to your vehicle. These procedures should not be attempted by "do-it-yourselfers."