



**INSTALLATION  
INSTRUCTIONS**

Accessory  
**MOONROOF VISOR**  
P/N 08R01-T0A-100

Application  
**2015 CR-V**

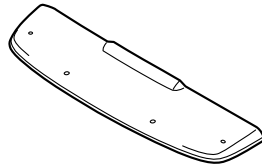
Publications No.  
**VERSION 1**

Issue Date  
**SEP 2014**

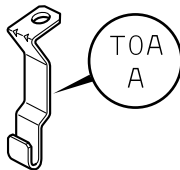
Put this information in the glove box with the vehicle owner's manual.

**PARTS LIST**

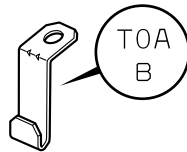
Moonroof visor



2 Front brackets



2 Side brackets



4 Screws



4 Nuts



4 Protective tapes



**TOOLS AND SUPPLIES REQUIRED**

Phillips screwdriver

10 mm Offset wrench

Ruler

Isopropyl alcohol

Shop towel

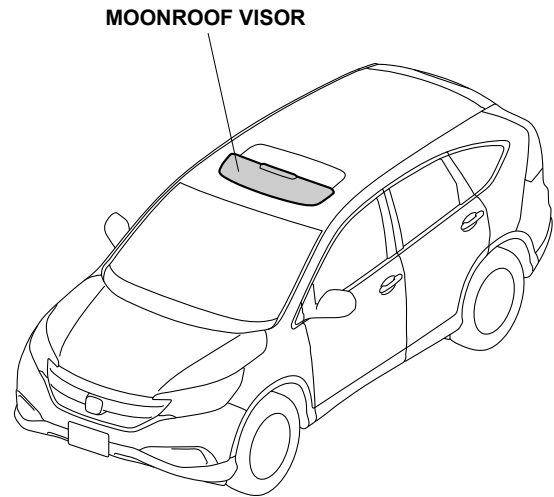
Masking tape

Felt-tip pen

*The following tool is available through the Honda Tool and Equipment program. On the iN, click on: Service > Service Bay > Tool and Equipment Program, then enter the number under "Search." Or call 888-424-6857.*

Torque Screwdriver (T/N CDI401SM)

**Illustration of the Moonroof Visor on the Vehicle**



## INSTALLATION

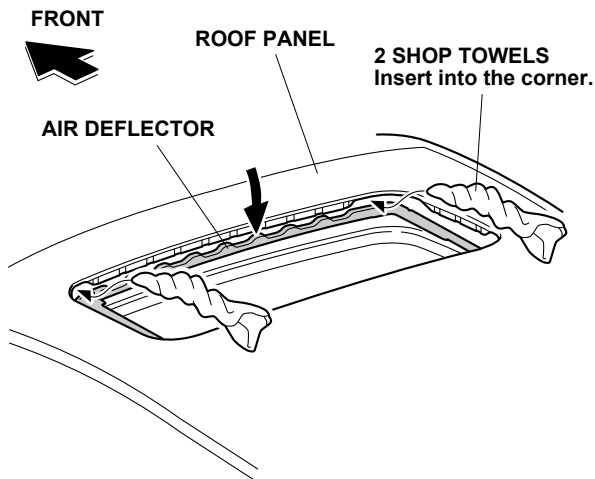
**Customer Information:** The information in this installation instruction is intended for use only by skilled technicians who have the proper tools, equipment, and training to correctly and safely add equipment to your vehicle. These procedures should not be attempted by “do-it-yourselfers.”

### NOTE:

- Do not damage the paint finish when you install the moonroof visor.
- The moonroof visor should only be installed if the ambient air temperature is 15°C (60°F) or above.
- To allow the adhesive to cure, do not wash the vehicle for 24 hours. Please advise your customer.

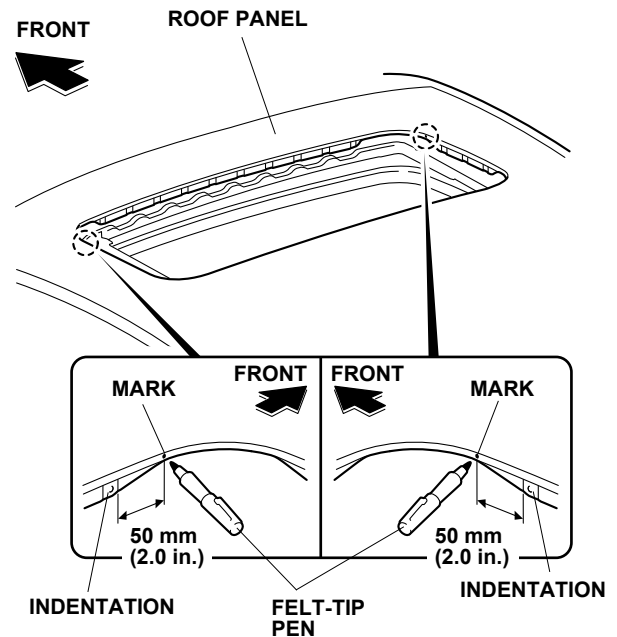
### Installing the Moonroof Visor

1. Clean and wax the area to be covered with a high-quality paste wax.

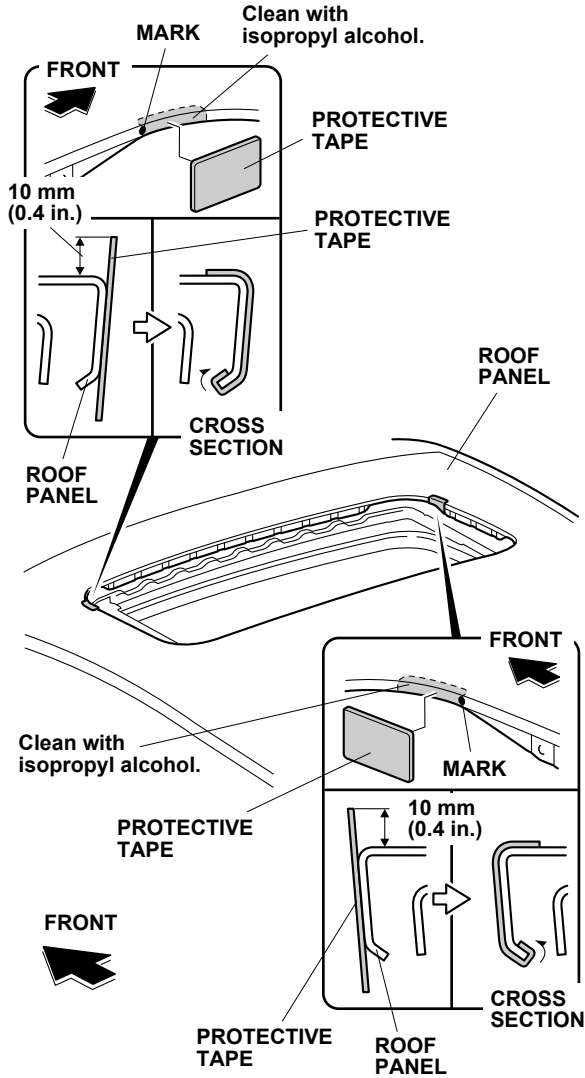


2. Open the moonroof. Roll up two shop towels, and insert them between the roof panel and air deflector to lower the air deflector. Take care not to damage the air deflector.

3. Locate the indentation on the right side of the moonroof opening. Measure 50 mm (2.0 in.) toward the front of the vehicle, and make one mark on the roof panel. Repeat the same procedure on the left side of the vehicle.

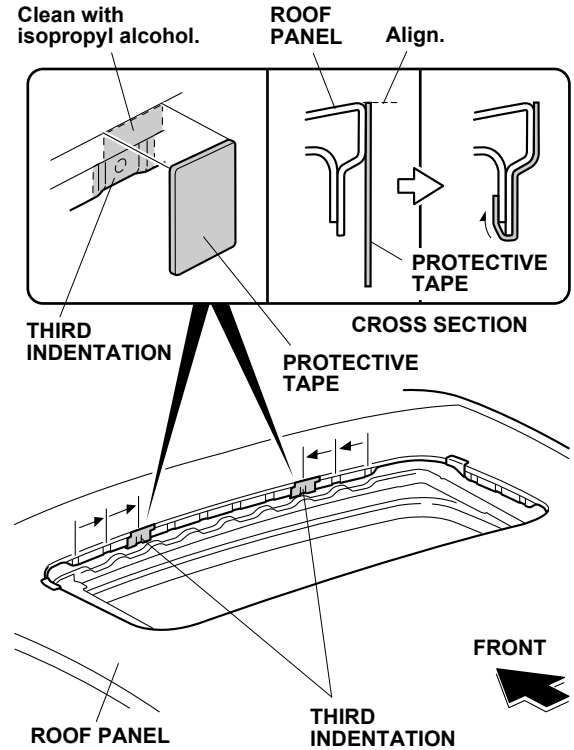


- Using isopropyl alcohol on a shop towel, clean the roof area where the protective tape will attach. Do not wipe off the mark.



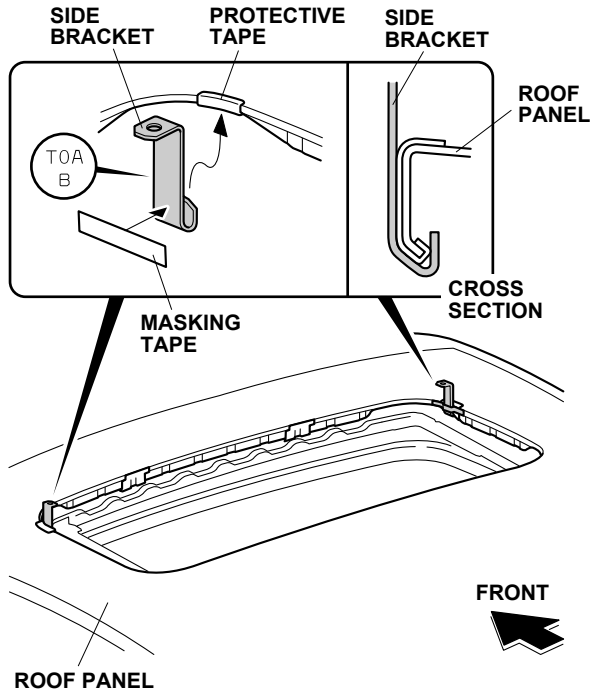
- Remove the adhesive backing from one protective tape, and attach it to the right side of roof panel from the mark. Wrap 10 mm (0.4 in.) of protective tape around the lip of the moonroof opening. Remove the mark.
- Repeat steps 4 and 5 to install the protective tape on the left side of moonroof opening.

- Locate the third indentation in from right side of the moonroof opening as shown. Using isopropyl alcohol on a shop towel, clean the roof area where the protective tape will attach.

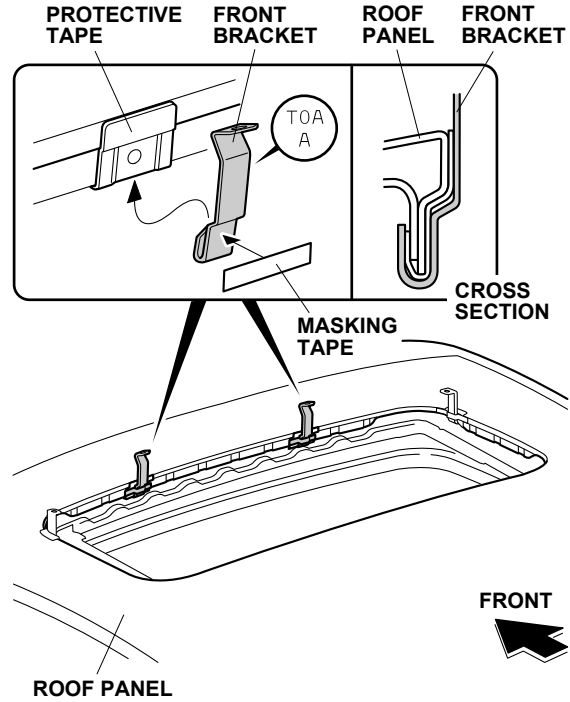


- Remove the adhesive backing from one protective tape. Starting at the top edge, install the protective tape at the third indentation in from right side of the moonroof opening.
- Repeat steps 7 and 8 to install the protective tape on the left side of moonroof opening.

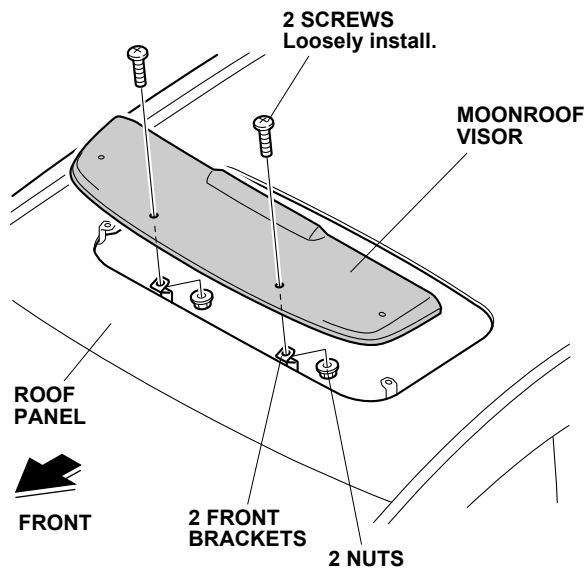
10. Place one side bracket into position over the protective tape, and tape it into position with a piece of masking tape. Repeat the same procedure to install the side bracket on the left side of the moonroof opening.



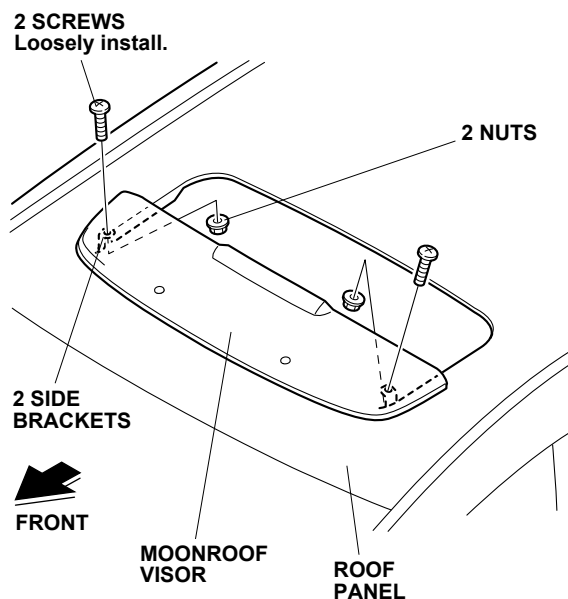
11. Place one front bracket into position over the protective tape, and align the lower edge with the indentation on the roof panel. Tape the bracket in position with a piece of masking tape. Repeat the same procedure to install the other front bracket on the moonroof opening.



12. Set the moonroof visor on the vehicle roof in front of the moonroof opening, and adjust its position so the holes in the visor are aligned with the holes in the front brackets. Loosely install the moonroof visor to the front brackets with two screws and two nuts. Remove the masking tapes from the front brackets.



13. Loosely install the moonroof visor to the side brackets with two screws and two nuts. Remove the masking tape from the side brackets.

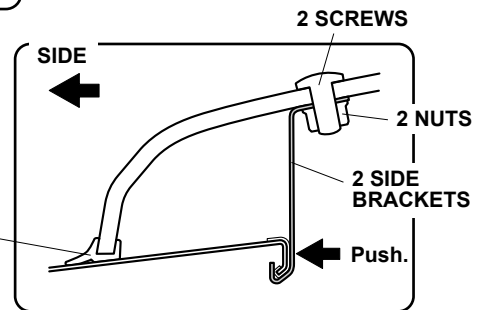


14. Position the moonroof visor with equal spacing on each side. Check that the rubber molding is not twisted or rolled under the visor.

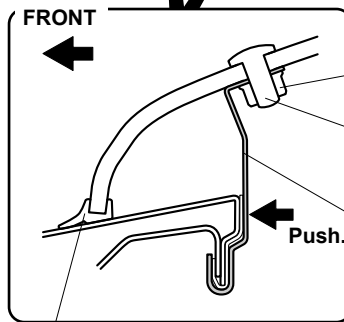
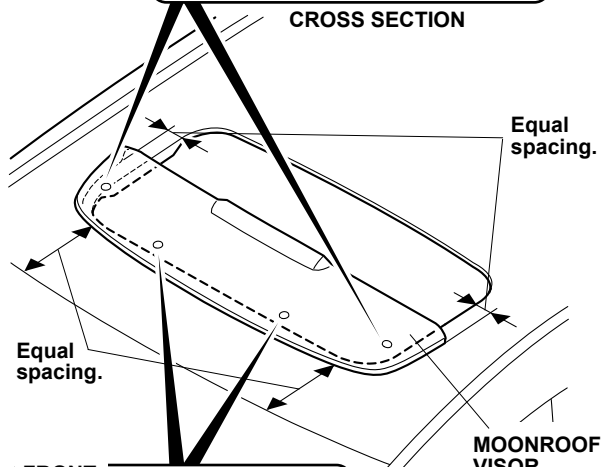
CROSS SECTION



RUBBER MOLDING  
Not twisted or rolled under the visor.



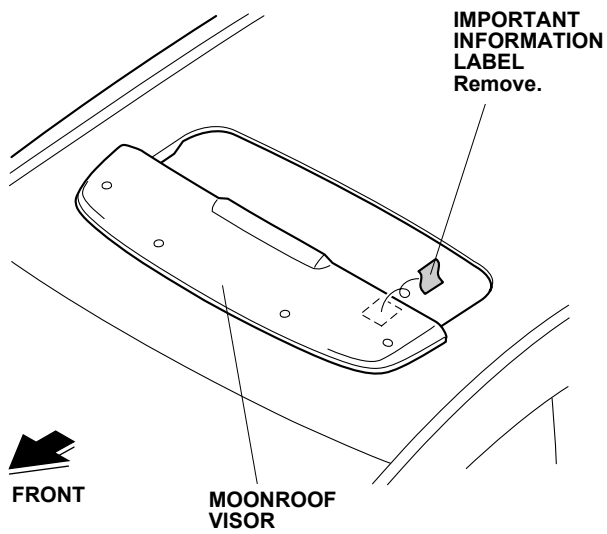
CROSS SECTION



RUBBER MOLDING CROSS SECTION

15. Tighten two screws and two nuts on each side of the vehicle first, then tighten two screws and two nuts on the front. Tighten while applying pressure so that there is no gap between the brackets and the roof panel. Torque the screws to 2 N·m (1.5 lbf·ft).

16. Remove the IMPORTANT INFORMATION label and the shop towels.



#### CARE OF THE MOONROOF VISOR

- To avoid damaging the surface, never use ammonia-based cleaners or solvents to clean the moonroof visor.
- Clean with a solution of mild dishwashing soap and water using a soft cloth or chamois.
- To remove fine scratches and restore the original luster, use Meguiar's Mirror Glaze plastic cleaner and polish or an equivalent high-quality plastic cleaner.