

Fastener Locations

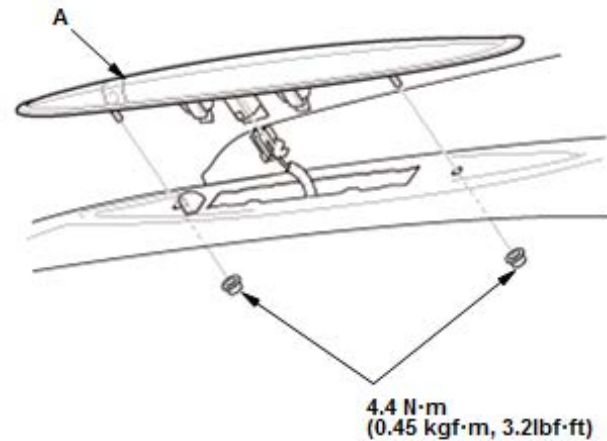
▷ : 4



2. High Mount Brake Light - Remove

High Mount Brake Light: LED

1. Remove the high mount brake light (A).
2. Disconnect the connector.



3. All Removed Parts - Install

1. Install the parts in the reverse order of removal.