



**INSTALLATION  
INSTRUCTIONS**

Accessory

**RUNNING BOARDS  
P/N 08L33-T0A-100B**

Application

**2015 CR-V**

Publications No.

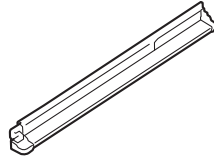
**VERSION 1**

Issue Date

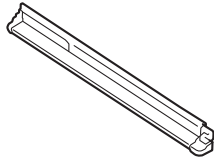
**SEP 2014**

**PARTS LIST**

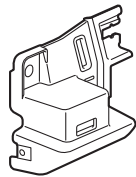
Left running board



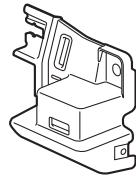
Right running board



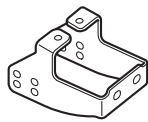
Left trim



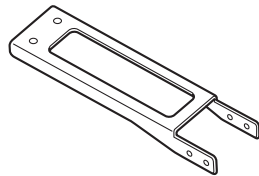
Right trim



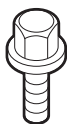
4 Brackets A



4 Brackets B



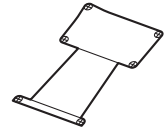
40 Flange bolts, 8 x 20 mm



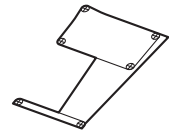
16 Flange nuts



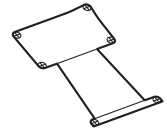
Left front template



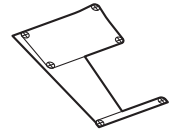
Left rear template



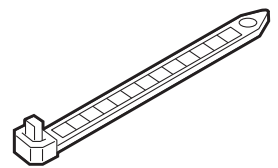
Right front template



Right rear template



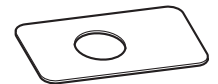
Wire tie



22 Hole seals



2 Sponge



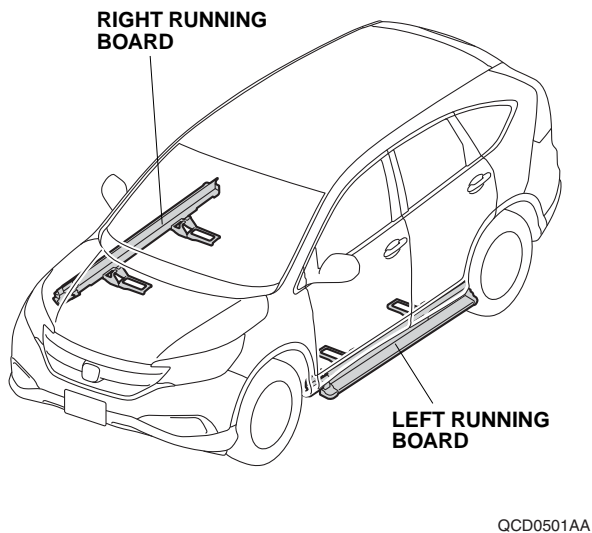
## TOOL AND SUPPLIES REQUIRED

Phillips screwdriver  
Ratchet  
10 mm and 13 mm Sockets  
Torque wrench  
Drill  
3 mm, 6 mm, 8 mm, and 10 mm Drill bits  
Blanket  
Eye protection (safety goggles, face shield, etc.)  
Utility knife  
Pushpin  
File  
Ruler  
Diagonal cutter  
Isopropyl alcohol  
Shop towel

*The following tools are available through the Honda Tool and Equipment Program. On the iN, click on: Service > Service Bay > Tool and Equipment Program, then enter the number under "Search". Or, call 888-424-6857.*

- Air Saw (T/N AT192A)
- Plastic Trim Tool (T/N SILTRIMTL10)

## Illustration of the Running Boards Installed on the Vehicle

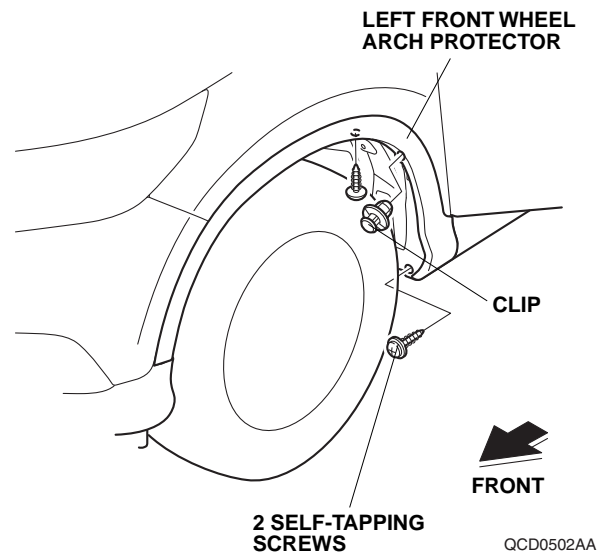


## INSTALLATION

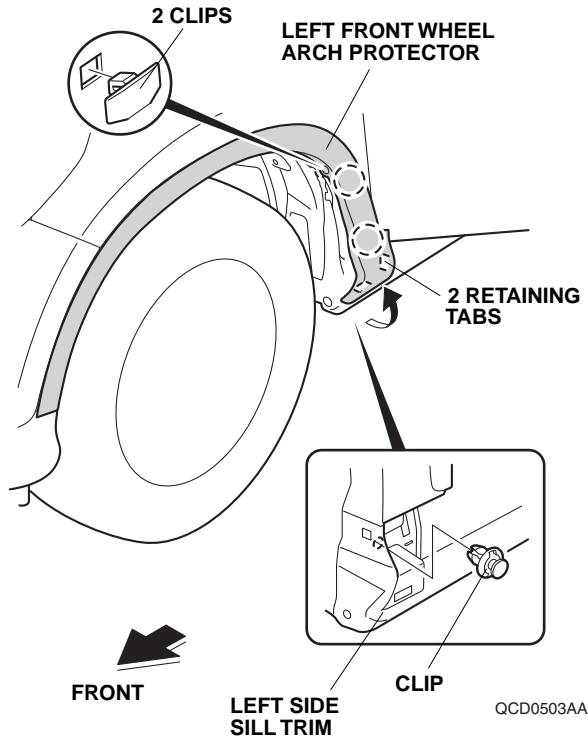
**Customer Information:** The information in this installation instruction is intended for use only by skilled technicians who have the proper tools, equipment, and training to correctly and safely add equipment to your vehicle. These procedures should not be attempted by "do-it-yourselfers."

### NOTE:

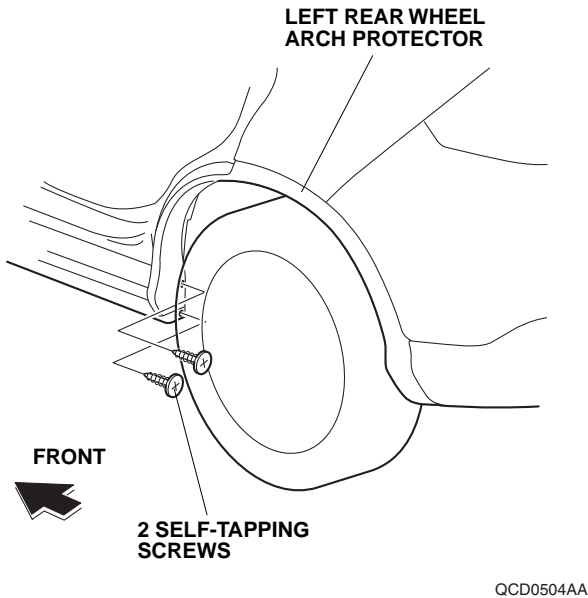
- These instructions show the left running board being installed. The same procedure applies to installing the right running board.
  - Do not damage the body paint finish.
  - This kit should be installed only if the ambient air temperature is 15°C (60°F) or above.
  - To allow the adhesive to cure, do not wash the vehicle for 24 hours. Please advise the customer.
1. Remove the self-tapping screws and clip from the left front wheel arch protector.



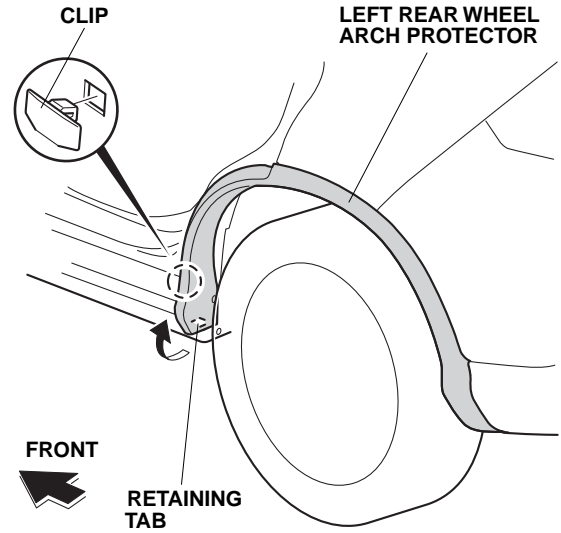
2. Release the left front wheel arch protector.



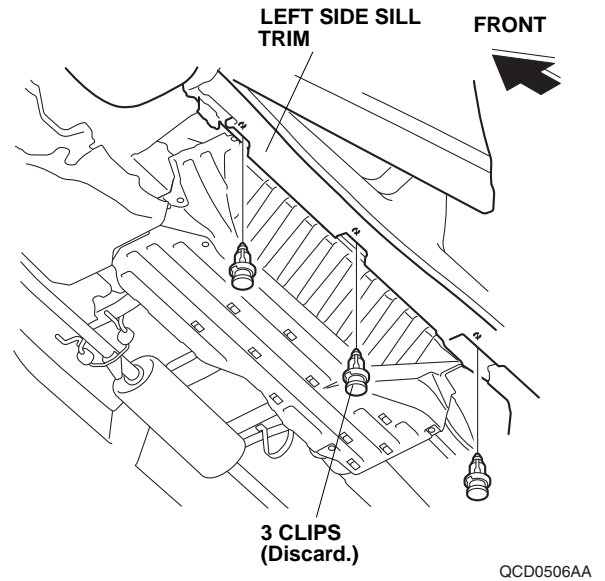
3. Remove the clip from the left side sill trim.
4. Remove the two self-tapping screws from the left rear wheel arch protector.



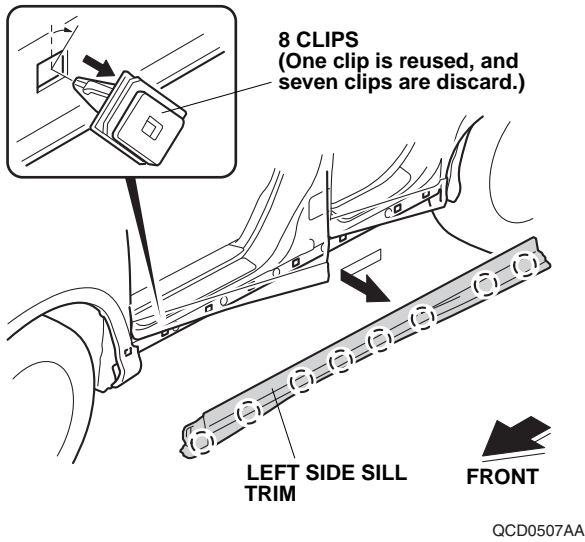
5. Release the left rear wheel arch protector.



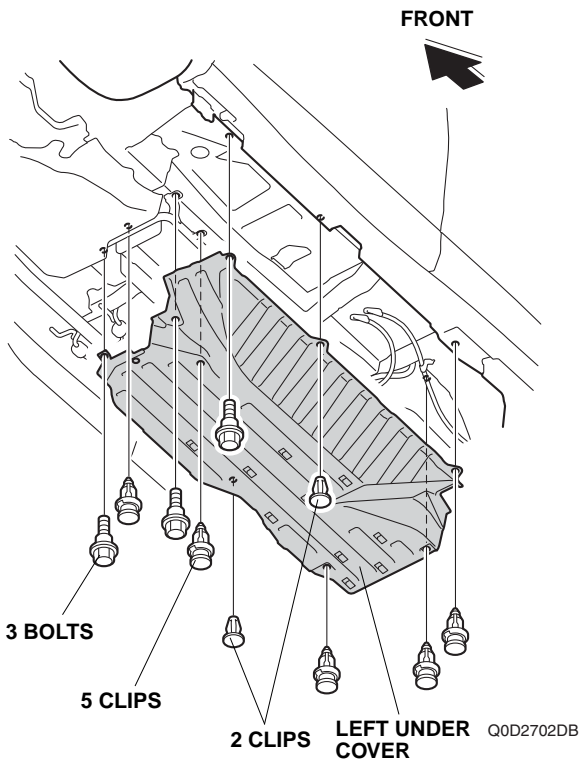
6. Remove and discard the three clips from the left side sill trim.



- 7. Remove the left side sill trim.

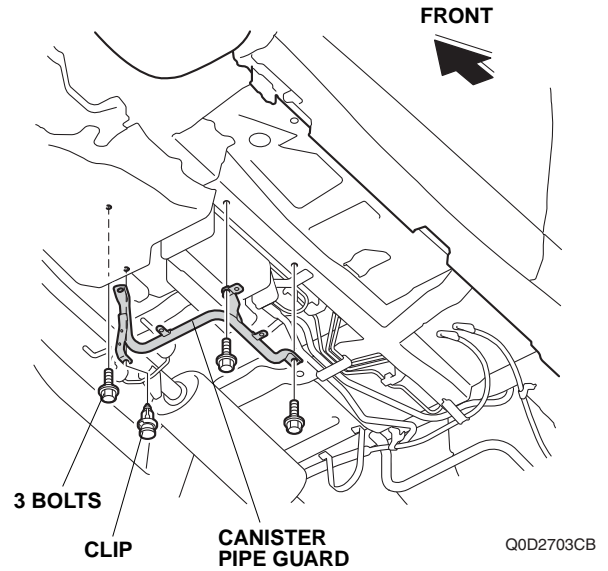


- 8. Remove the eight clips from the vehicle panel.
- 9. Repeat steps 1 through 8 on the right side of the vehicle.
- 10. Raise the vehicle off the ground and support it in the proper locations as described in the Service Manual.

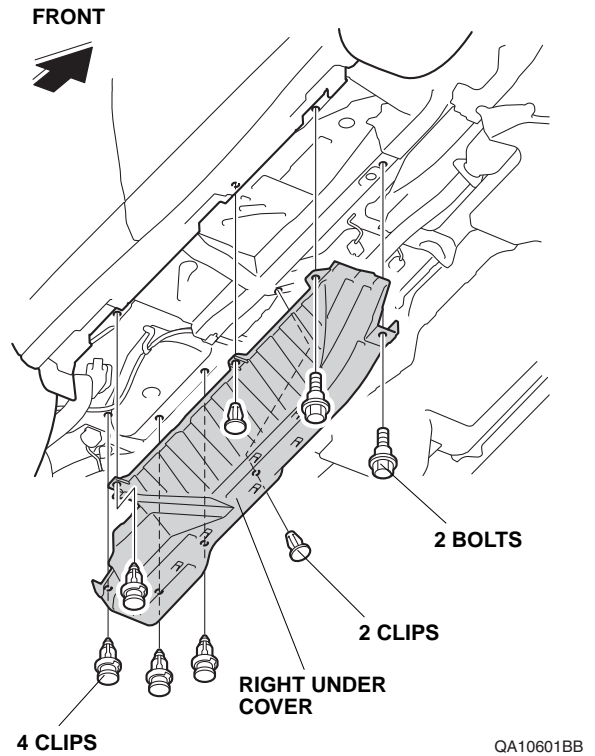


- 11. Remove the left under cover.

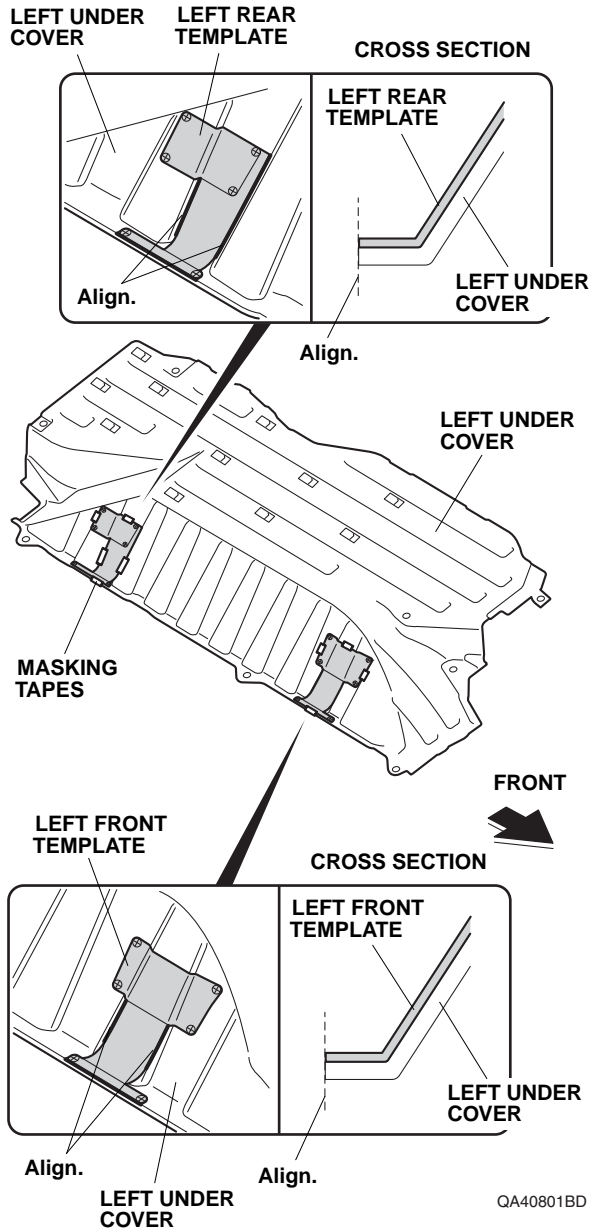
- 12. Remove the canister pipe guard.



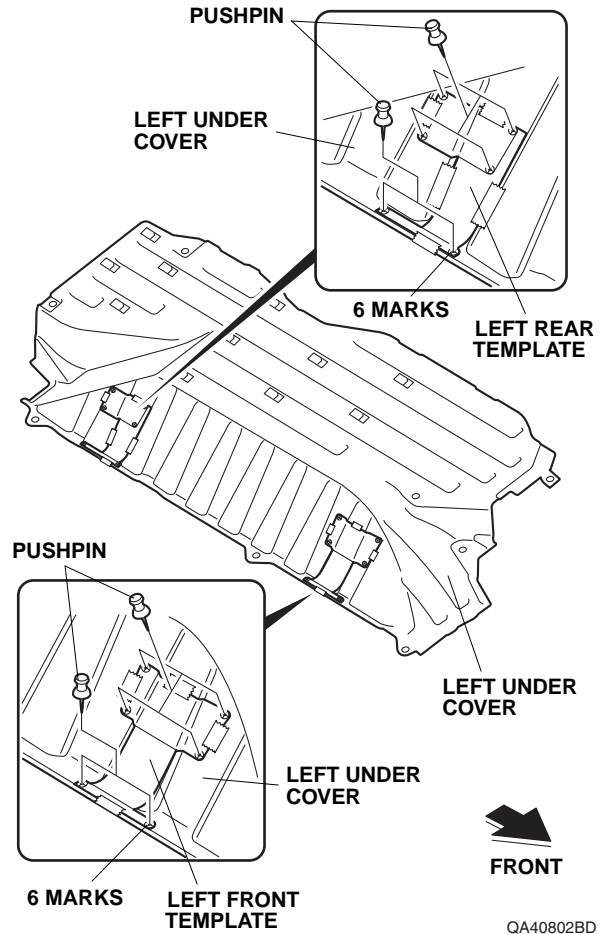
- 13. Remove the right under cover.



14. Align and attach the left front template and left rear template to the under cover with the masking tape as shown.

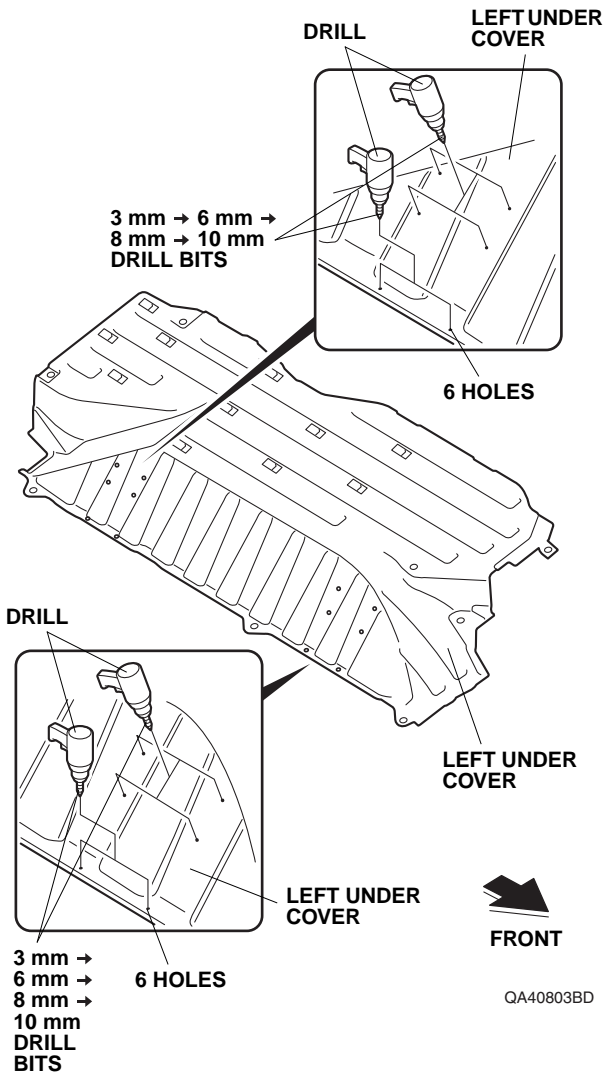


15. Using a pushpin, pierce all six marks in the templates.



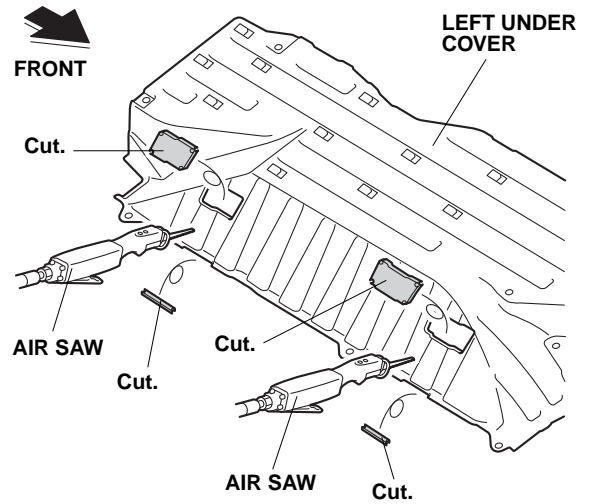
16. Remove the templates.

17. While wearing eye protection, drill the twelve holes to 10 mm. First drill with a 3 mm drill bit, and then with a 6 mm drill bit, with an 8 mm drill bit, and finish with a 10 mm drill bit.  
NOTE: Do not damage the insulator when drilling the left under cover.



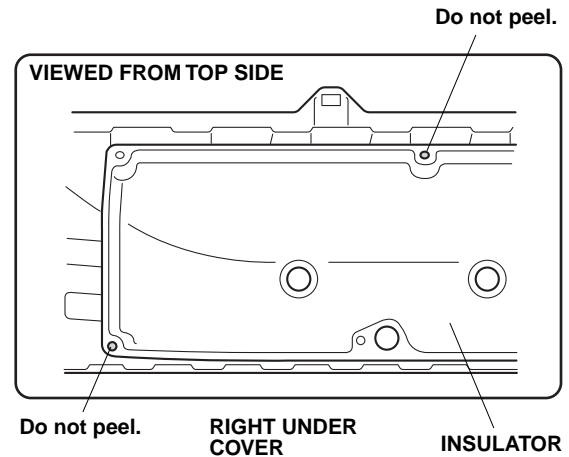
QA40803BD

18. While wearing eye protection and using an air saw, cut the left under cover as shown. Remove any burrs. NOTE: Do not damage the insulator when cutting the left under cover.

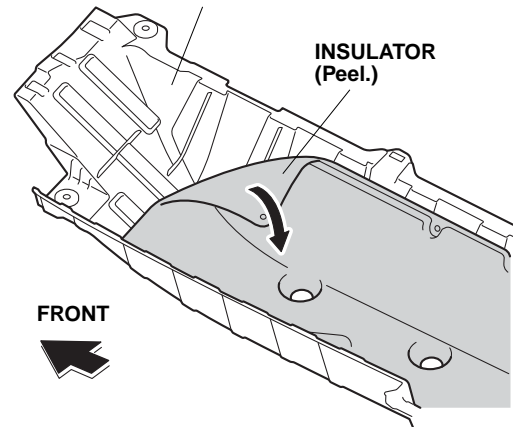


QA40804BD

19. Peel the insulator as shown.

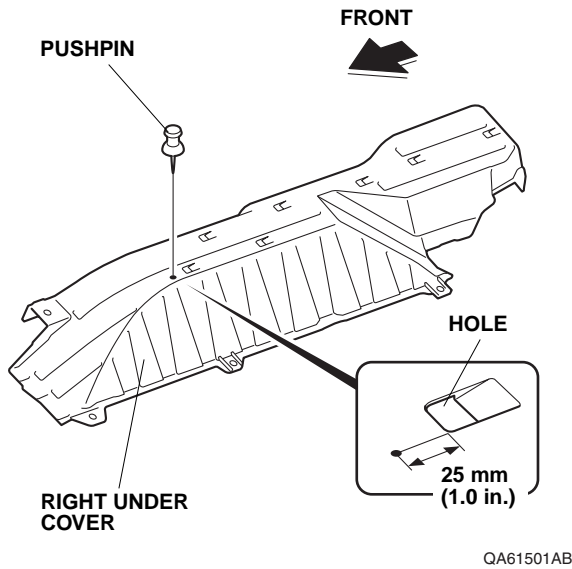


Do not peel. RIGHT UNDER COVER INSULATOR

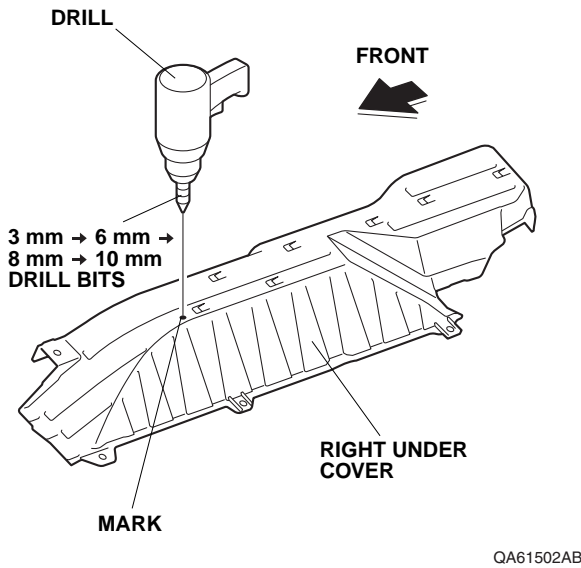


QA61503BB

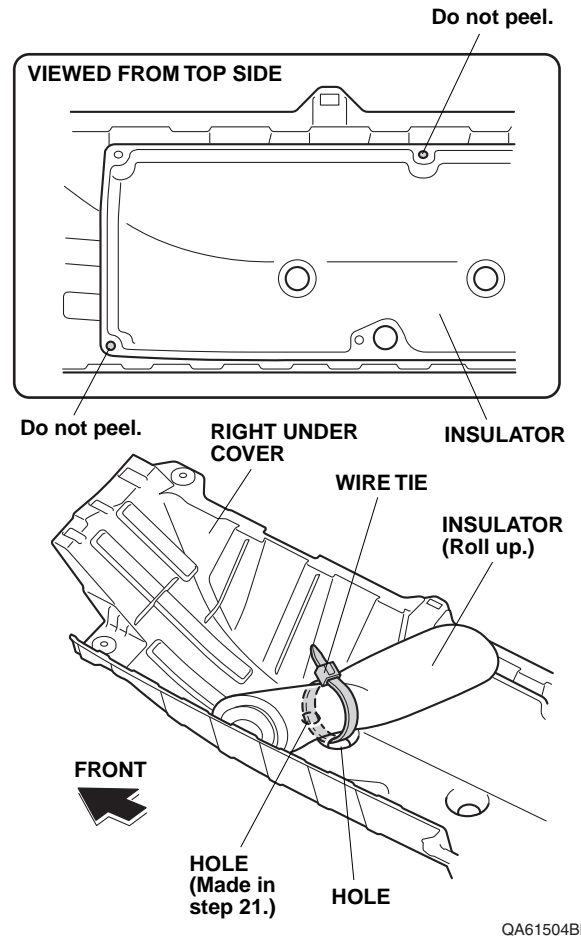
20. Using a pushpin, pierce the right under cover as shown.



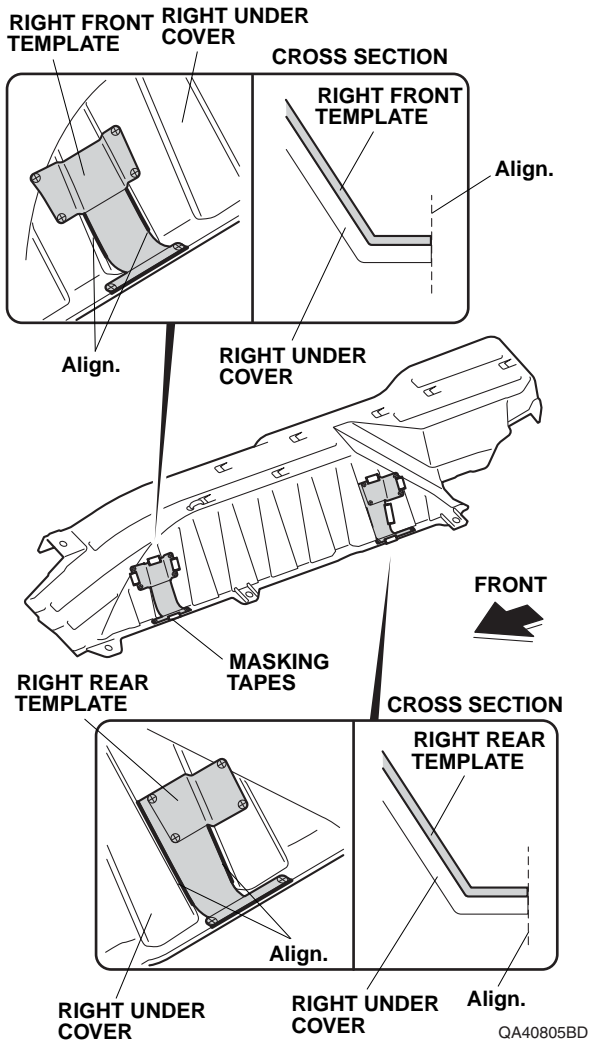
21. While wearing eye protection, drill one mark to 10 mm. First drill with a 3 mm drill bit, and then with a 6 mm drill bit, with an 8 mm drill bit, and finish with a 10 mm drill bit. Remove any burrs.



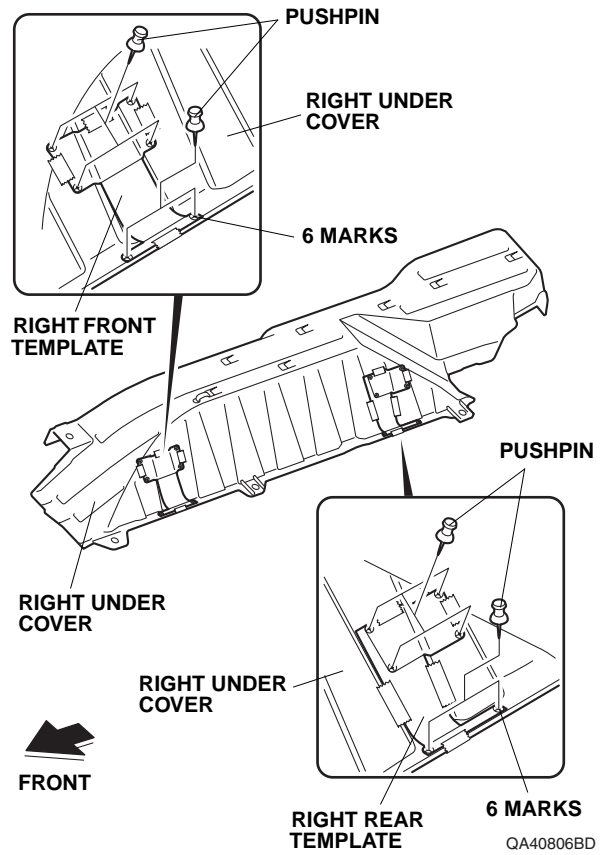
22. Roll up the insulator, and secure it to the right under cover with one wire tie.



23. Align and attach the right front template and right rear template to the right under cover with masking tapes.



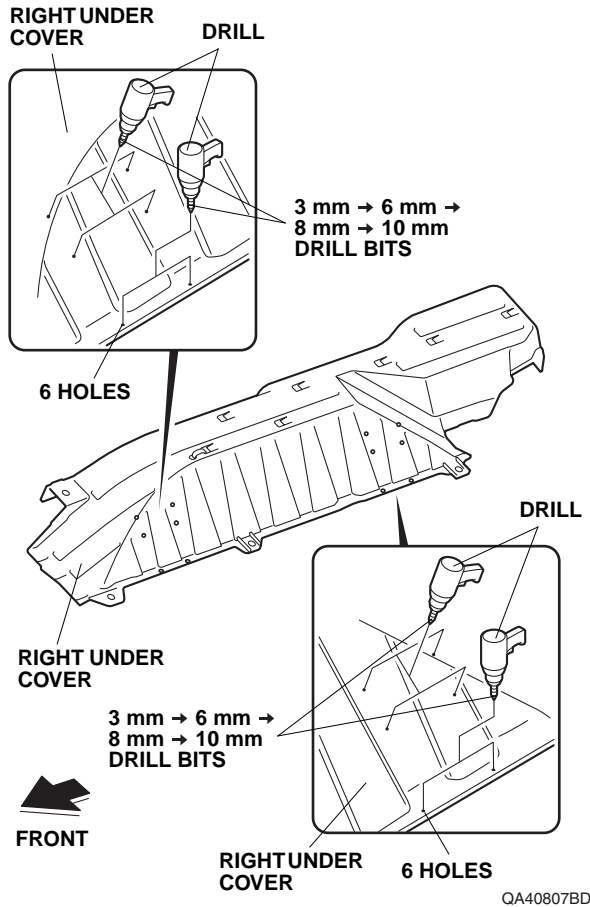
24. Using a pushpin, pierce six marks on the each templates.



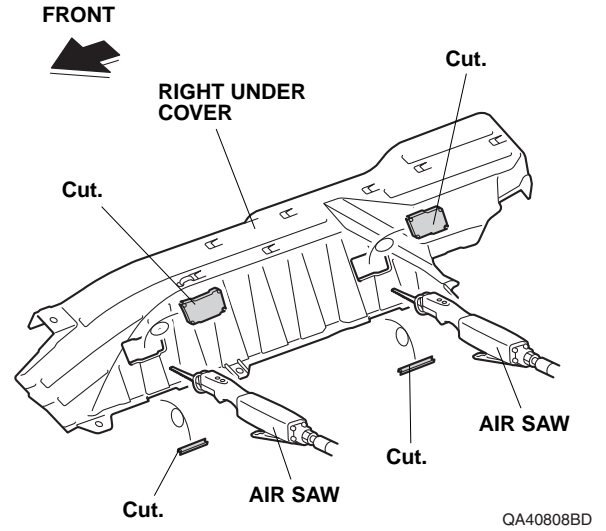
25. Remove the templates.



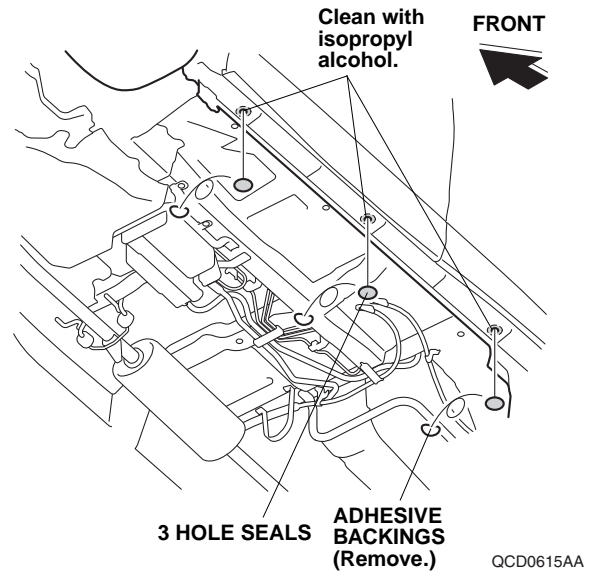
26. While wearing eye protection, drill the twelve holes to 10 mm. First drill with a 3 mm drill bit, and then with a 6 mm drill bit, with an 8 mm drill bit, and finish with a 10 mm drill bit.  
NOTE: Do not damage the insulator when drilling the right under cover.



27. While wearing eye protection and using an air saw, cut the right under cover as shown. Remove any burrs.  
NOTE: Do not damage the insulator when cutting the right under cover.

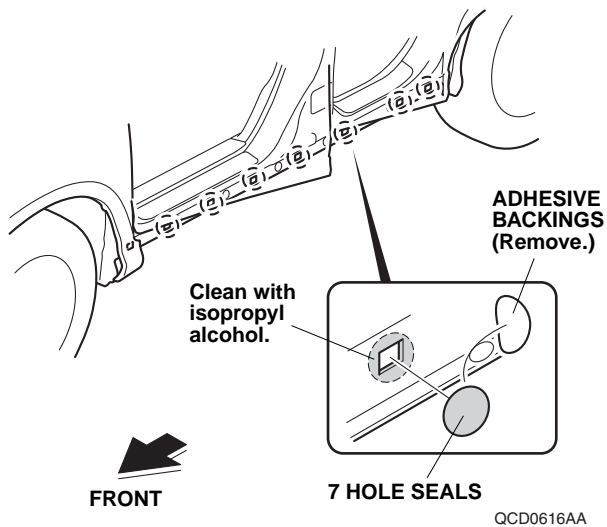


28. Using isopropyl alcohol, thoroughly clean the under side where the hole seals will attach.

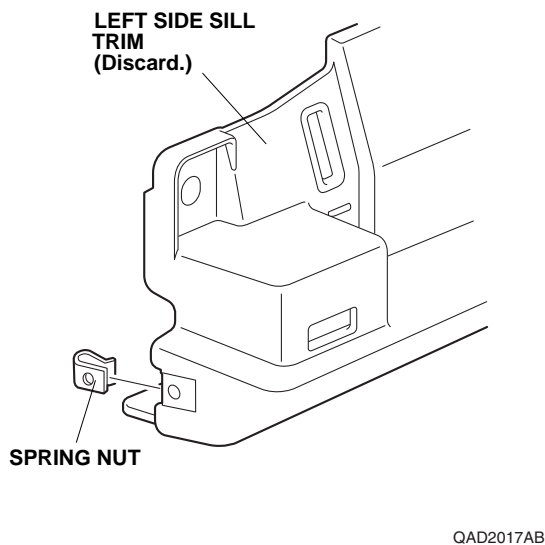


29. Remove the adhesive backing from each hole seal, and attach the seal over the holes as shown.

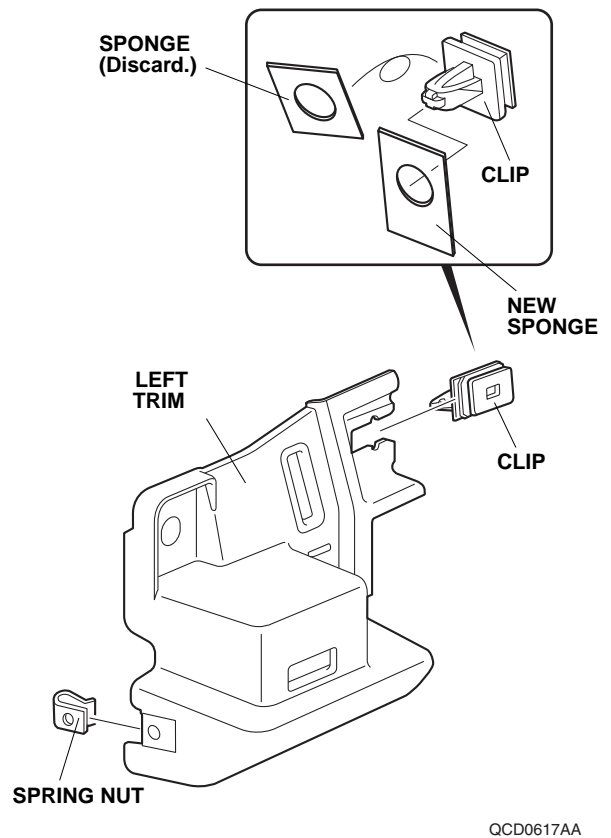
30. Using isopropyl alcohol, thoroughly clean the body where the hole seals will attach.



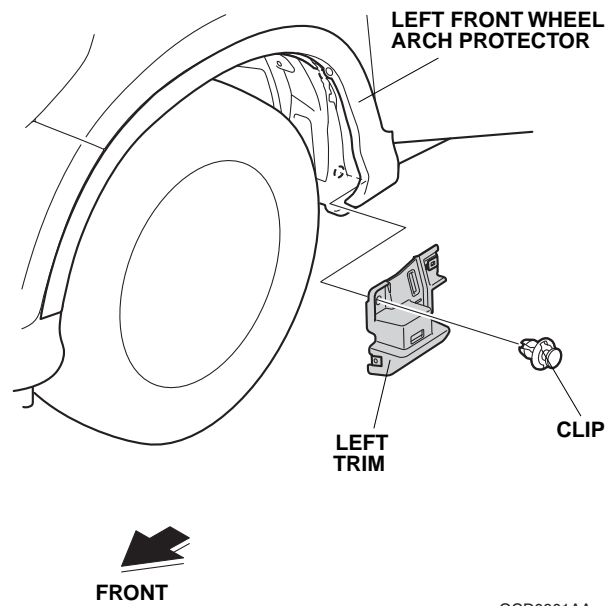
31. Remove the adhesive backing from each hole seal, and attach the seal over the holes as shown.
32. Remove the spring nut from the left side sill trim.



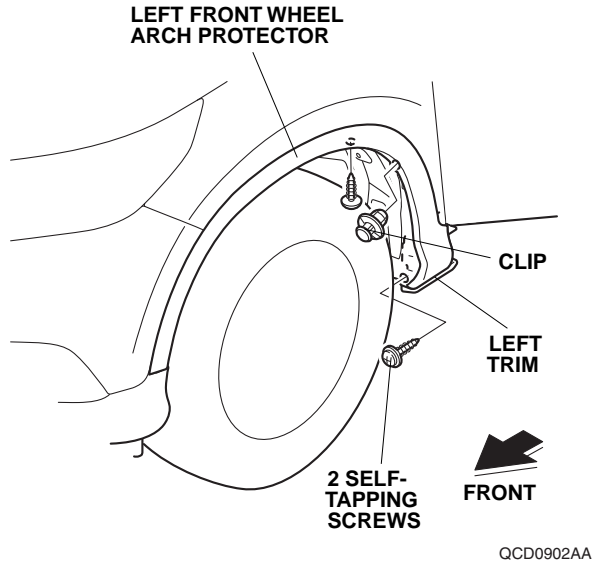
33. Install the spring nut removed in step 32 to the left trim.



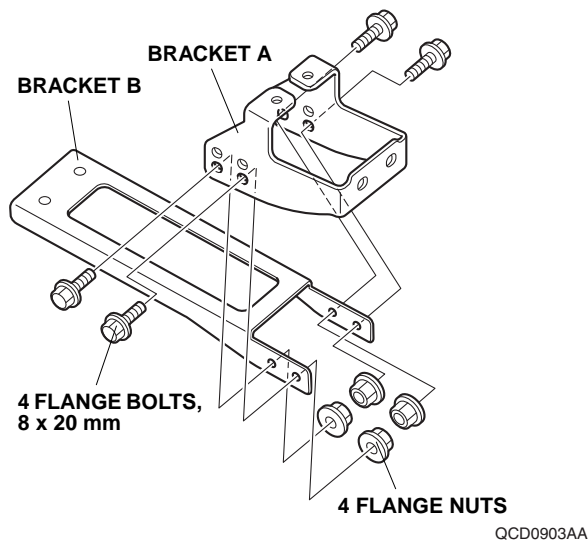
34. Remove and discard the sponge from the clip removed in step 8.
35. Install the new sponge to the clip, and attach the clip to the left trim.
36. Install the left trim to the vehicle panel with one clip removed in step 3.



37. Reinstall the left front wheel arch protector.

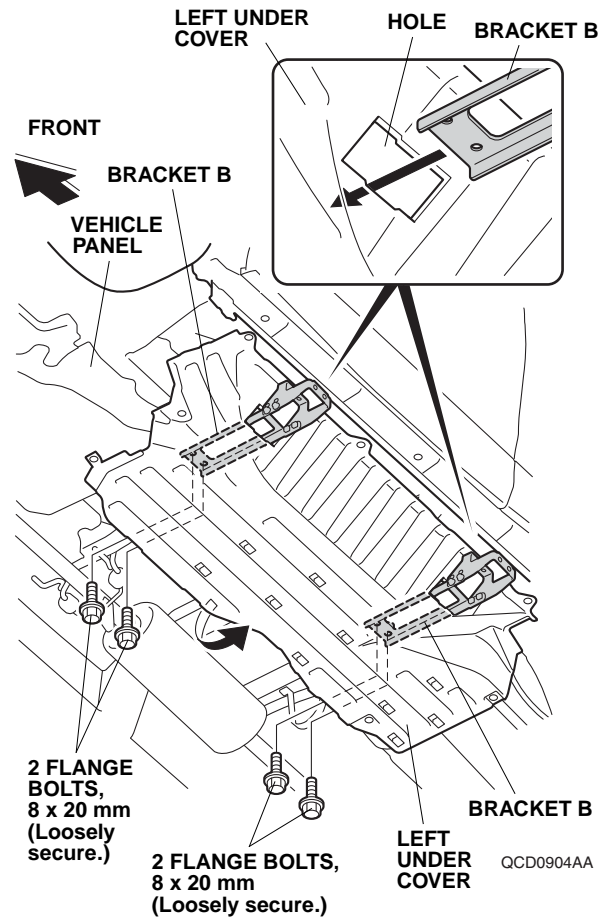


38. Secure the left trim to the vehicle panel with one self-tapping screw removed in step 1.  
 39. Secure the left front wheel arch protector to the left front inner fender with one self-tapping screw and clip removed in step 1.  
 40. Loosely secure the bracket A to the bracket B using the four 8 x 20 mm flange bolts and four flange nuts.



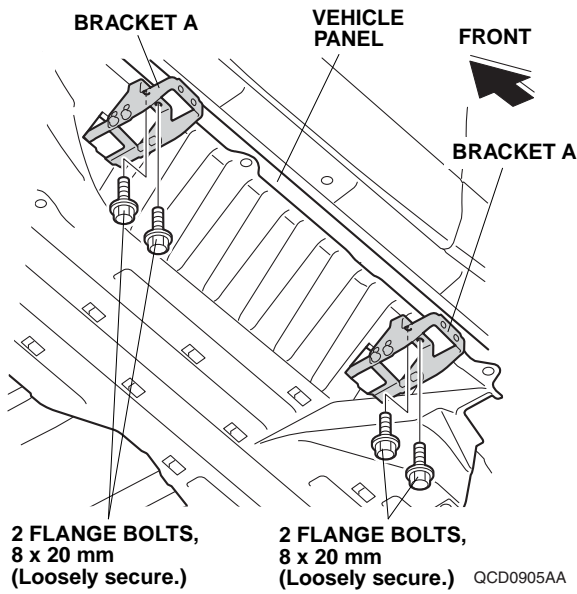
41. Repeat the same procedure for the other bracket A and bracket B.

42. Insert the two brackets B into the holes on the left under cover as shown.

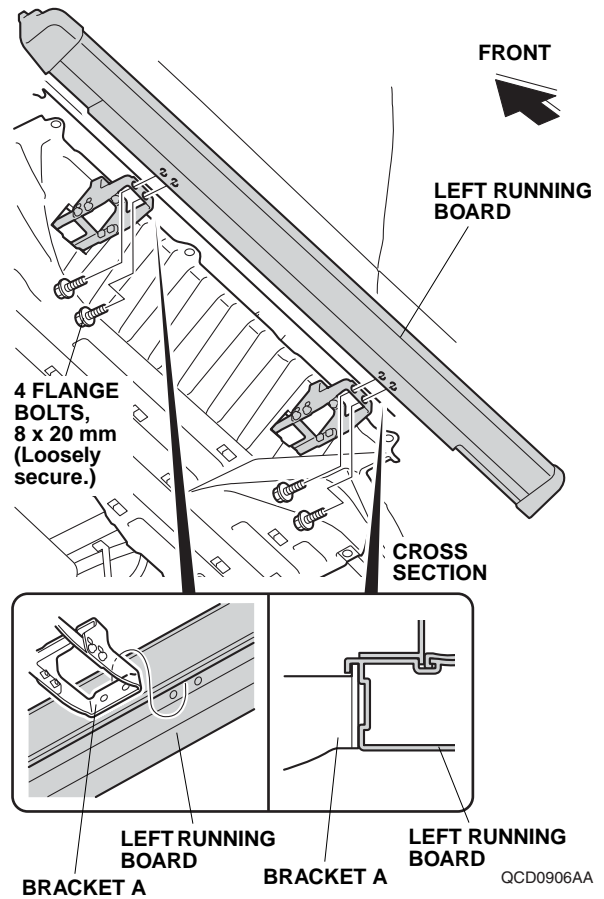


43. With help from an assistant place the left under cover close to the vehicle and loosely install the two brackets B to the vehicle panel using four 8 x 20 mm flange bolts.

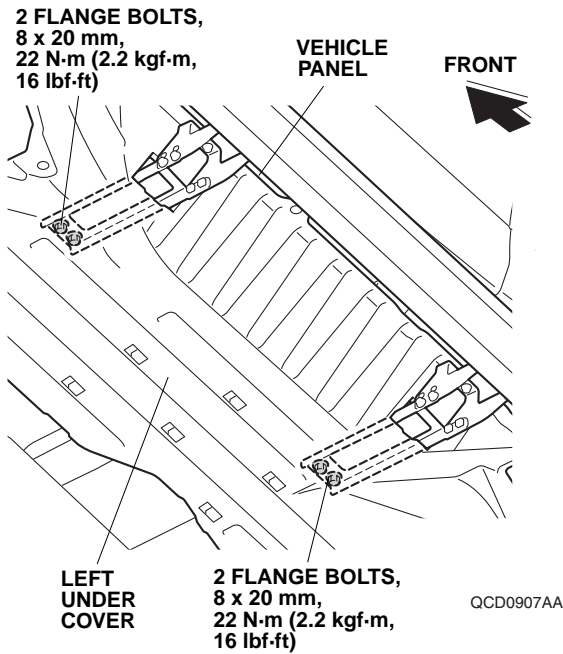
44. Loosely secure the two brackets A to the vehicle panel using four 8 x 20 mm flange bolts.



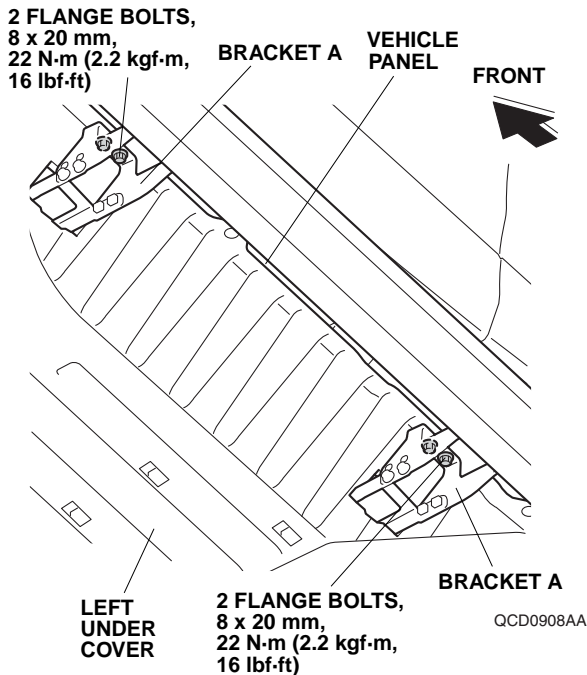
45. With help from an assistant, loosely secure the left running board to the two brackets A using four 8 x 20 mm flange bolts.



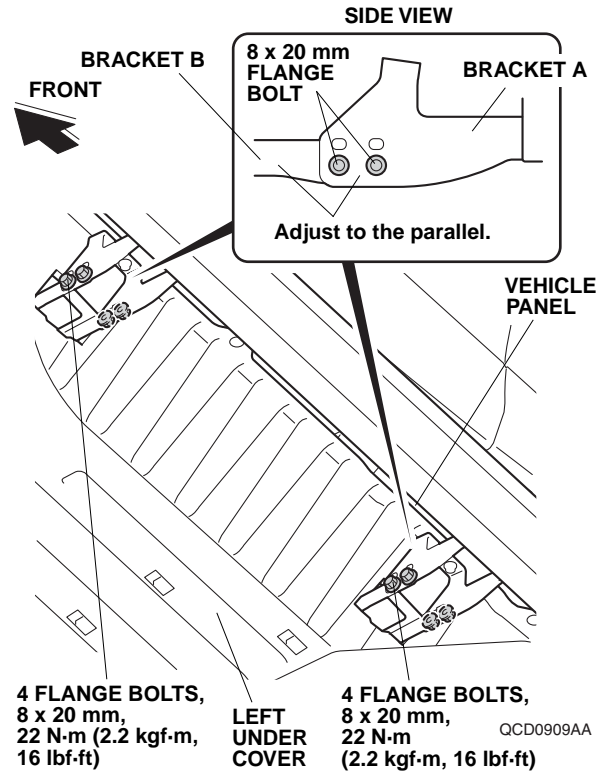
46. Secure the two brackets B to the vehicle panel.  
Torque the flange bolts: 22 N·m (2.2 kgf·m, 16 lbf·ft).



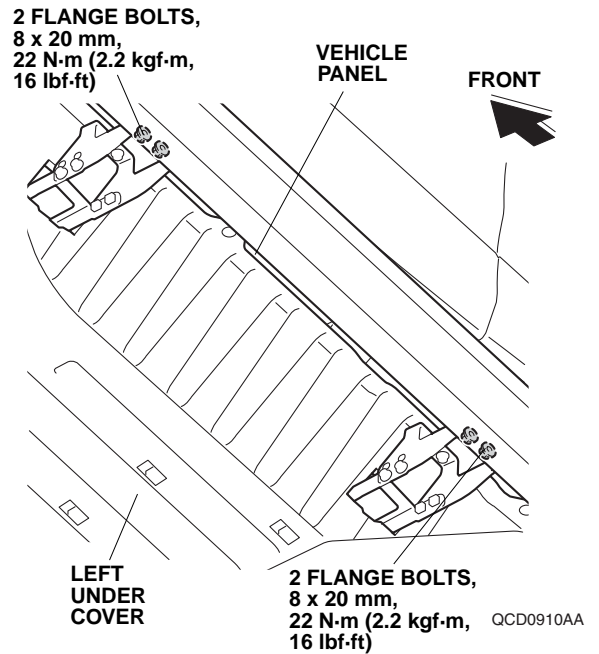
47. Secure the two brackets A to the vehicle panel.  
Torque the flange bolts: 22 N·m (2.2 kgf·m, 16 lbf·ft).



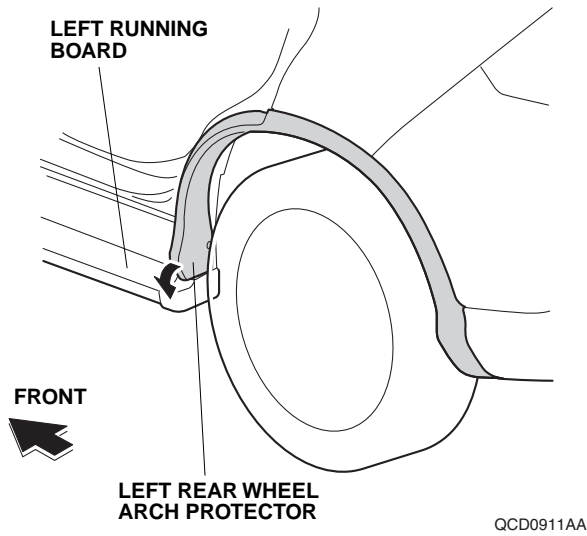
48. Secure the two brackets A to the two brackets B.  
Torque the flange bolts: 22 N·m (2.2 kgf·m, 16 lbf·ft).



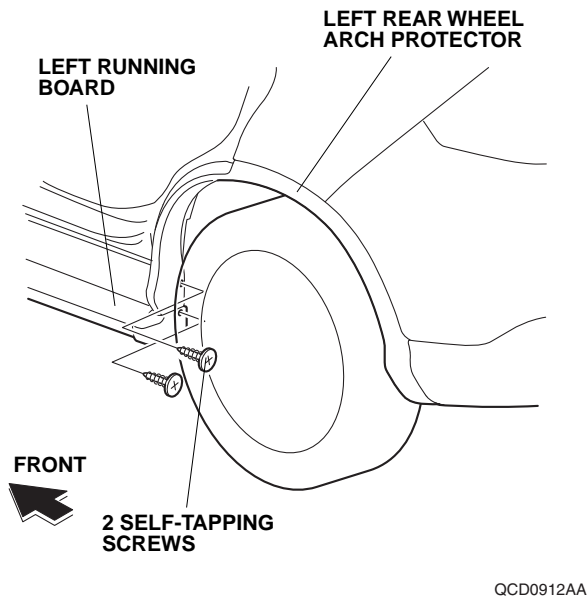
49. Secure the left running board to the two brackets A. Torque the flange bolts: 22 N·m (2.2 kgf·m, 16 lbf·ft).



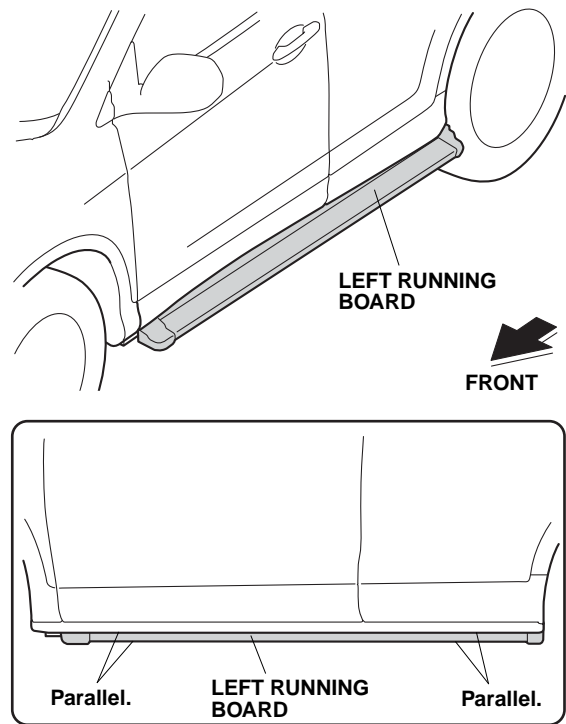
50. Install the left rear wheel arch protector.



51. Secure the left running board to the left rear wheel arch protector with two self-tapping screws removed in step 4.



52. Visually check that the left running board is installed parallel to the vehicle.



53. Repeat steps 28 through 52 on the right side of the vehicle.

54. Reinstall all removed parts.