



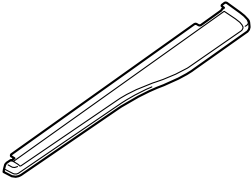
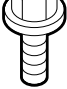
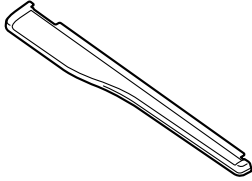
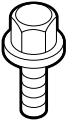
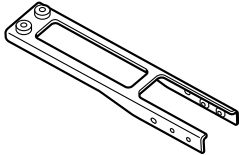

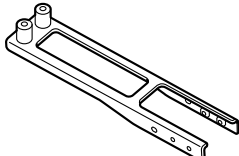
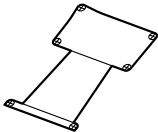
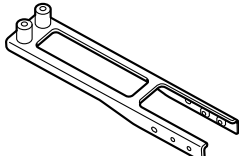
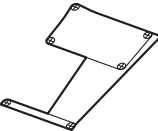
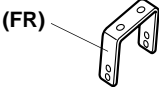
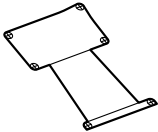
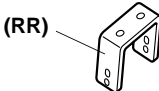
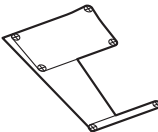
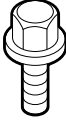
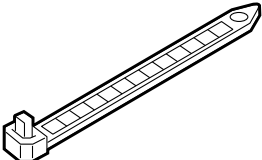
## INSTALLATION INSTRUCTIONS

Accessory  
**STYLISH RUNNING BOARD**  
 P/N 08L33-T0A-100

Application  
 2013 CR-V

Publications No.  
**All 13155**  
 Issue Date  
**AUG 2012**

### PARTS LIST

Left running board		4 Flange bolts, 8 x 25 mm	
Right running board		4 Flange bolts, 8 x 40 mm	
2 Brackets A		8 Flange nuts	
2 Brackets B		Left front template	
2 Brackets B		Left rear template	
2 Brackets C	 (FR)	Right front template	
2 Brackets D	 (RR)	Right rear template	
32 Flange bolts, 8 x 16 mm		Wire tie	

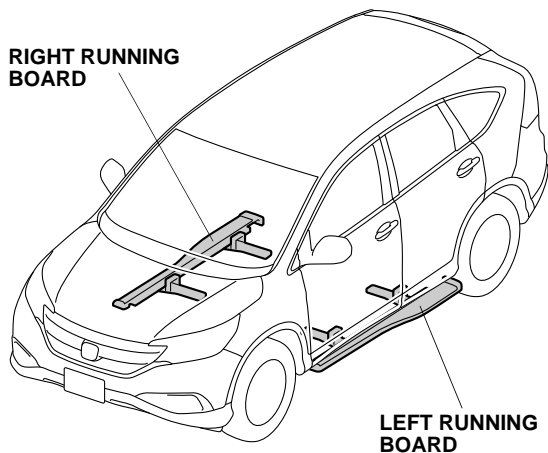
## TOOLS AND SUPPLIES REQUIRED

Ratchet  
10 mm and 12 mm Sockets  
Torque wrench  
Drill  
3 mm and 10 mm Drill bits  
Blanket  
Eye protection (safety goggles, face shield, etc.)  
Utility knife  
Pushpin  
File  
Ruler  
Diagonal cutter

*The following tools are available through the Honda Tool and Equipment program. On the iN, click on: Service > Service Bay > Tool and Equipment Program, then enter the number under "Search." Or, call 888-424-6857.*

- Air saw (T/N AT192A)
- Plastic trim tool (T/N SILTRIMTL10)

## Illustration of the Stylish Running Board on the Vehicle

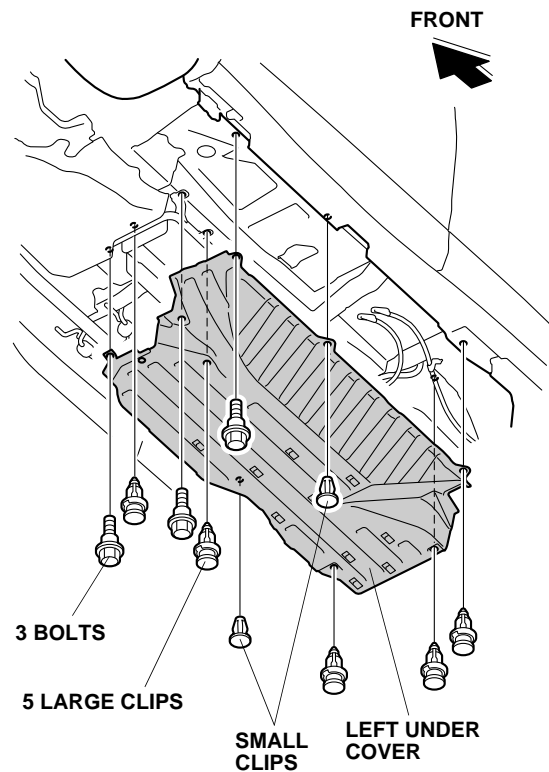


## INSTALLATION

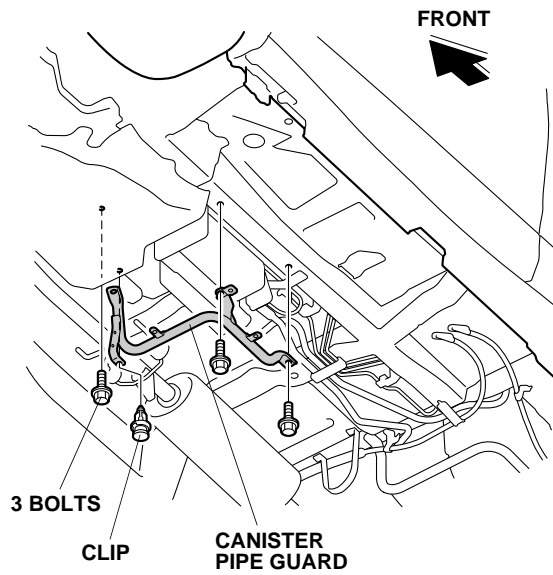
**Customer Information:** The information in this installation instruction is intended for use only by skilled technicians who have the proper tools, equipment, and training to correctly and safely add equipment to your vehicle. These procedures should not be attempted by "do-it-yourselfers."

NOTE: Do not damage the body paint finish.

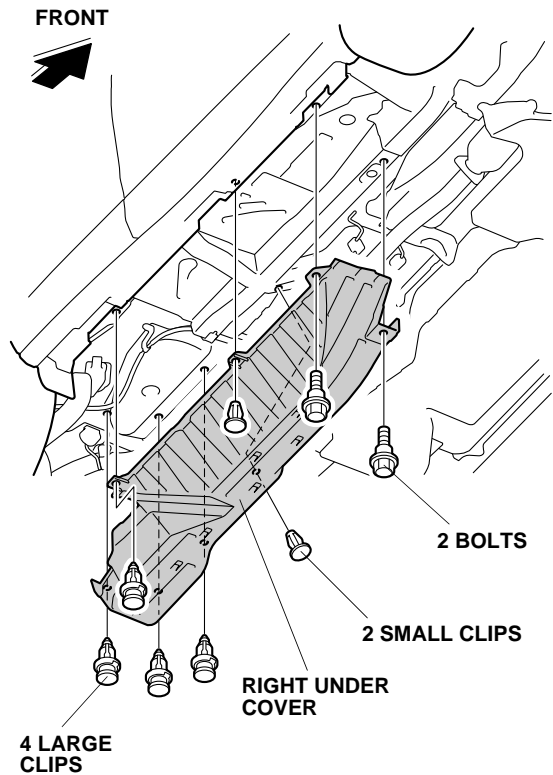
1. With the vehicle on a lift, remove the left under cover (three bolts, two small clips, and five large clips).



2. Remove the canister pipe guard (three bolts and one clip).

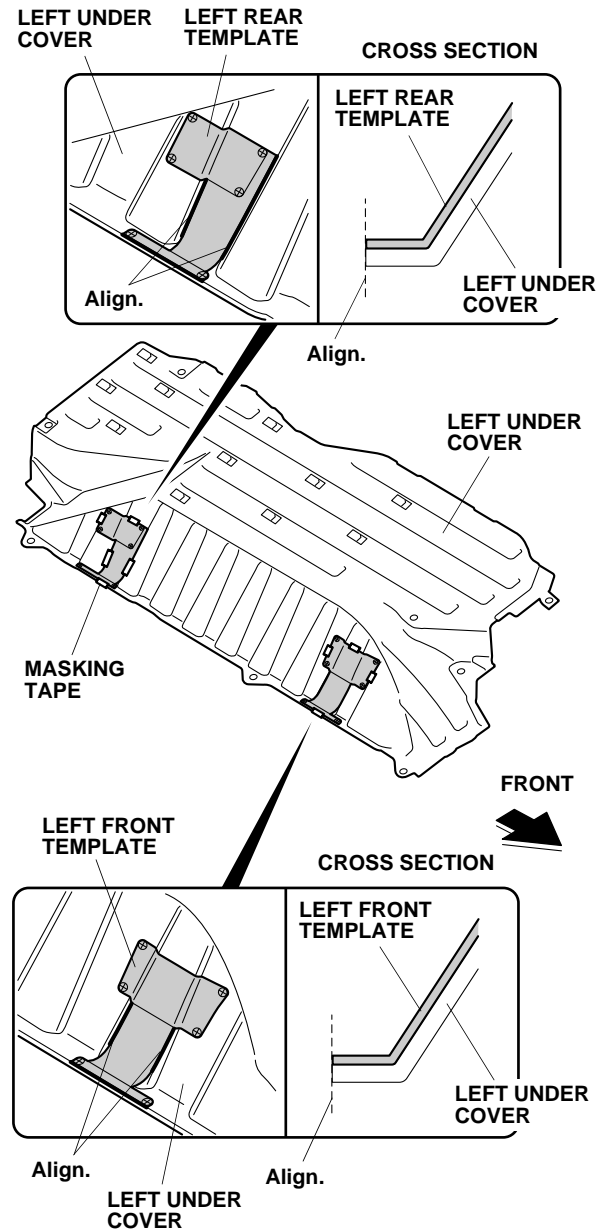


3. Remove the right under cover (two bolts, two small clips, and four large clips).

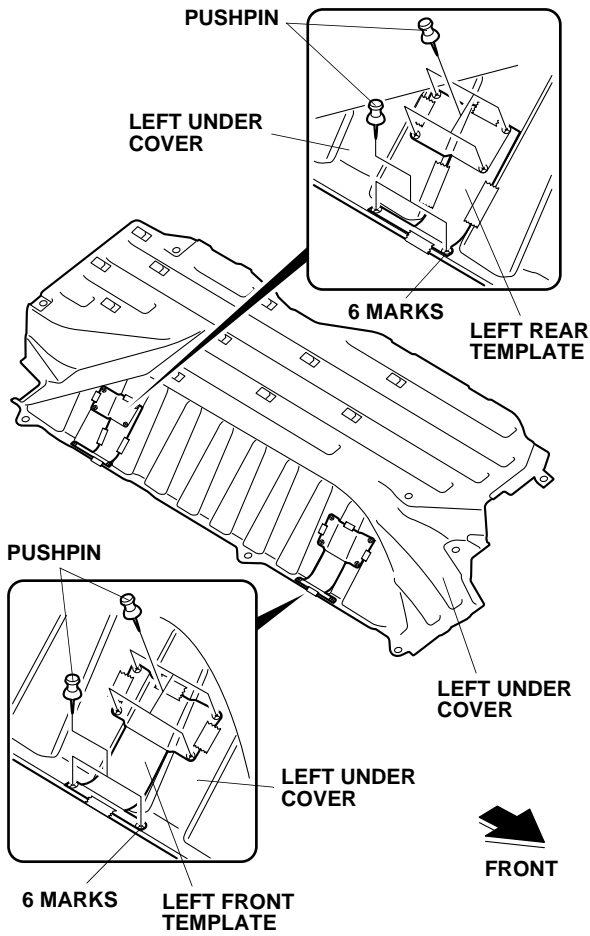


## Installing the Stylish Running Board

4. Align and attach the left front template and left rear template to the left under cover with masking tape in the areas shown.

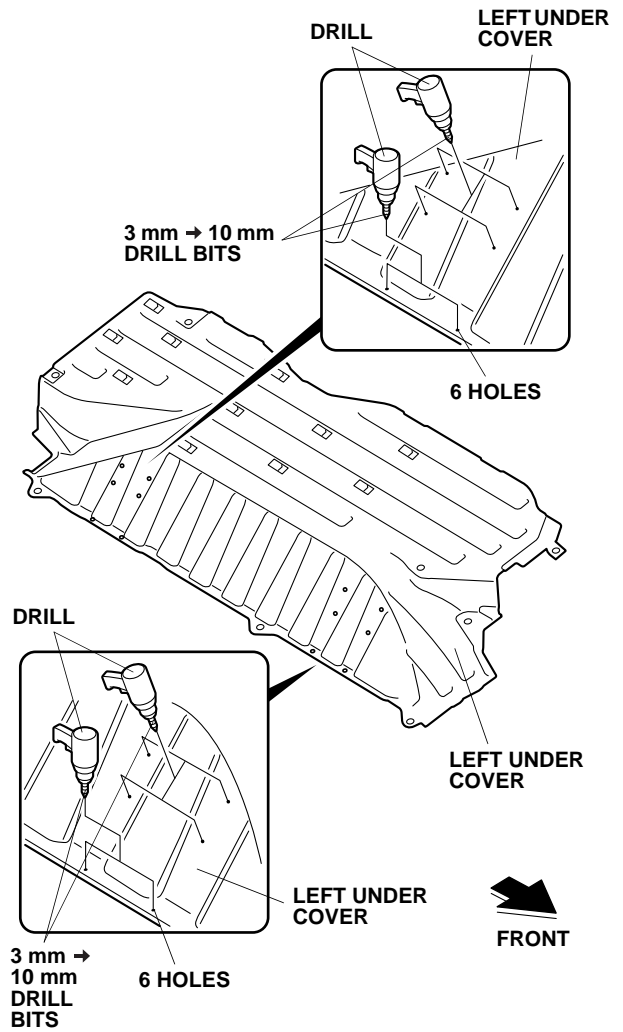


5. Using a pushpin, pierce the six marks on each templates.

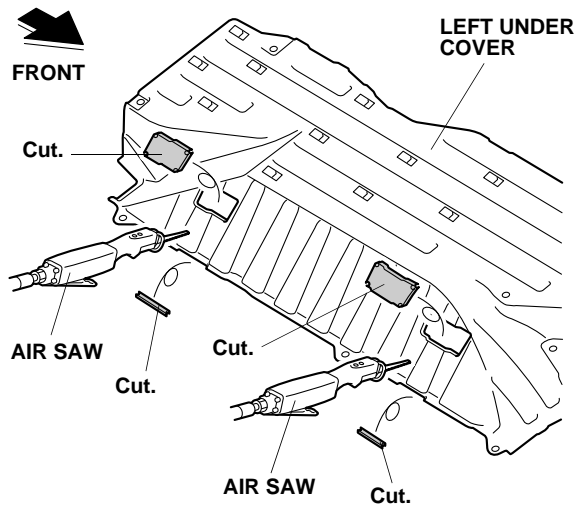


6. Remove the templates.

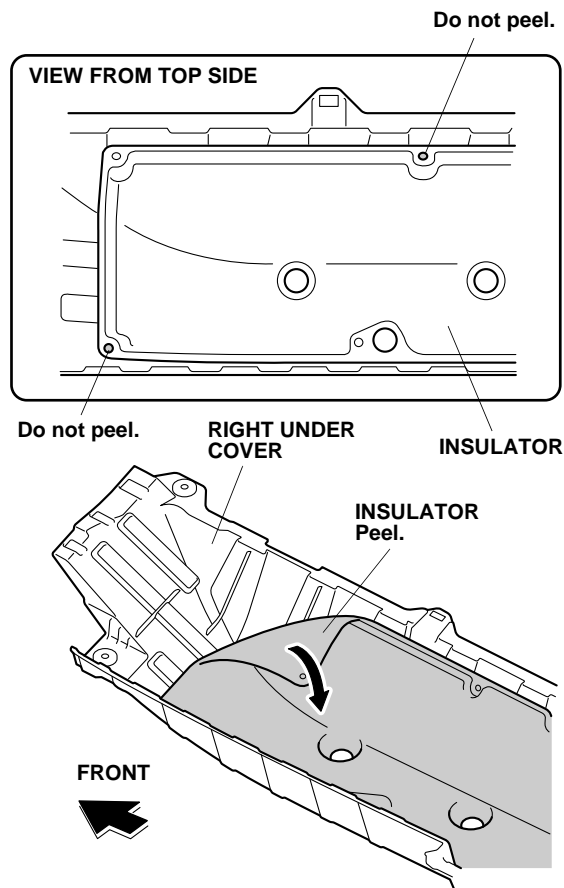
7. While wearing eye protection, drill twelve holes on the left under cover with a 3 mm drill bit, then enlarge each hole to 10 mm using a 10 mm drill bit.  
NOTE: Do not damage the insulator when drilling the left under cover.



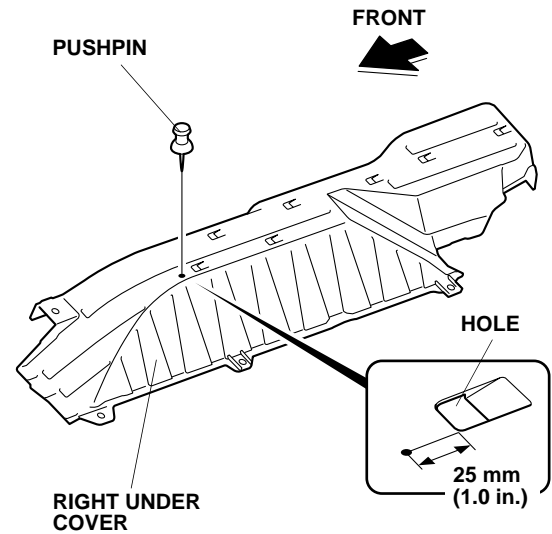
8. Using an air saw, cut out the left under cover in the areas shown. Remove any burrs.  
NOTE: Do not damage the insulator when cutting the left under cover.



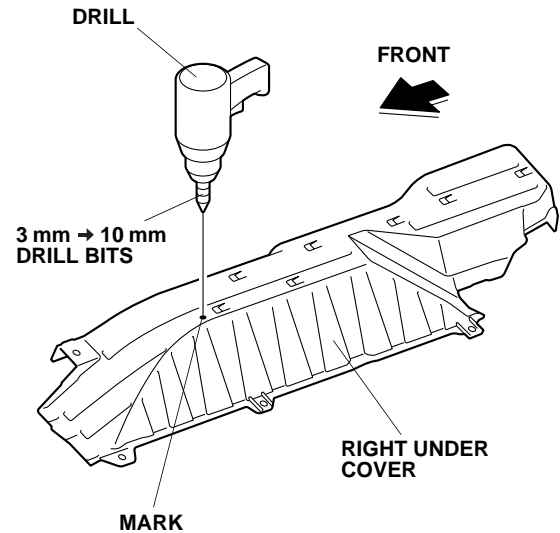
9. Peel back the insulator in the area shown.



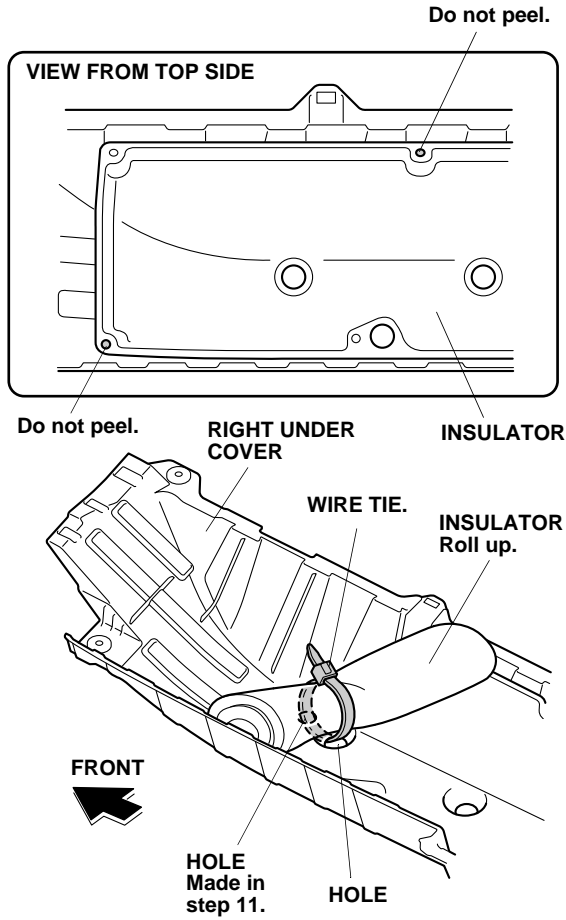
10. Using a pushpin, pierce the right under cover at the measurement shown.



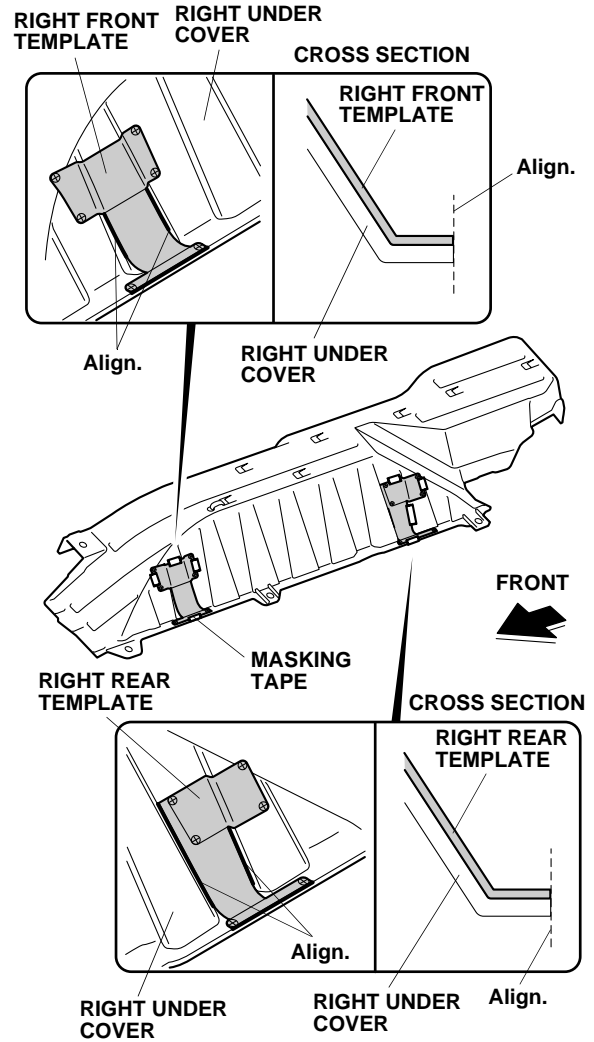
11. While wearing eye protection, drill the pierced mark on the right under cover with a 3 mm drill bit, then enlarge the hole to 10 mm using a 10 mm drill bit.



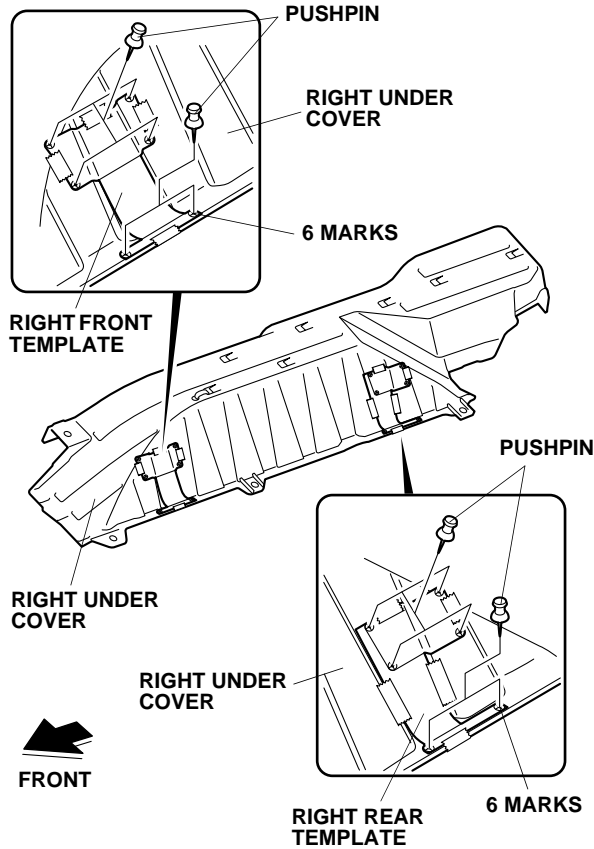
12. Roll up the insulator, and secure it to the right under cover using the wire tie through the hole drilled in step 11.



13. Align and attach the right front template and right rear template to the right under cover with masking tape in the areas shown.

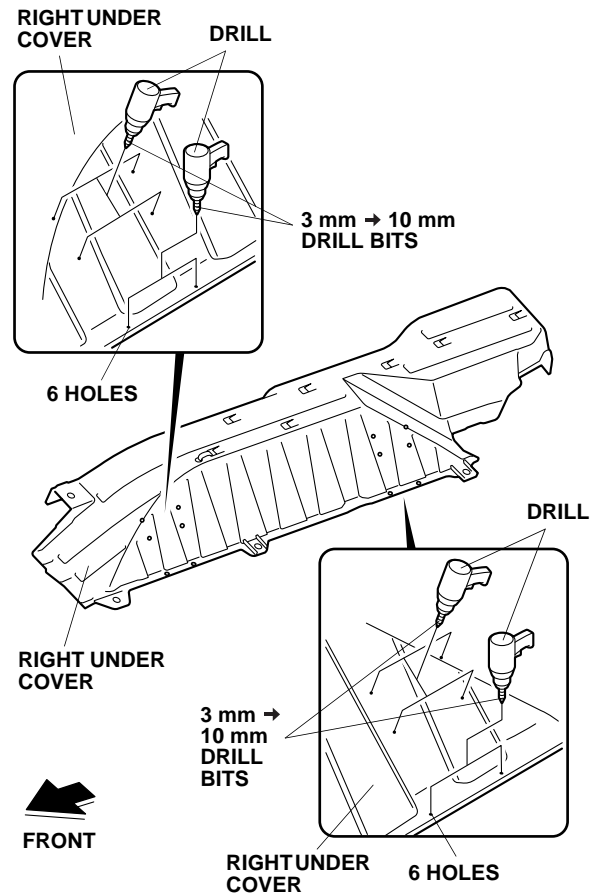


14. Using a pushpin, pierce six marks on each template.

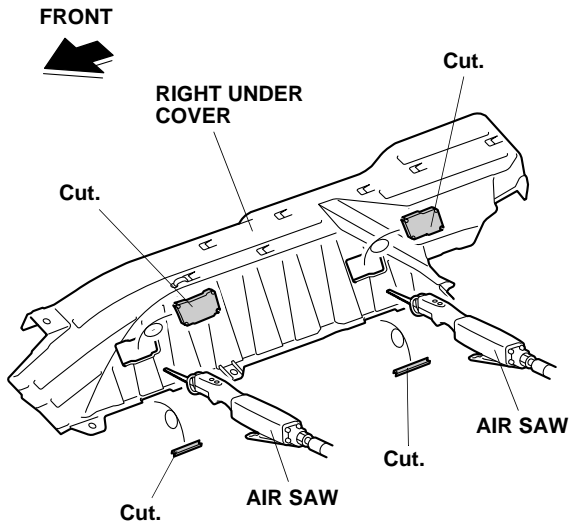


15. Remove the templates.

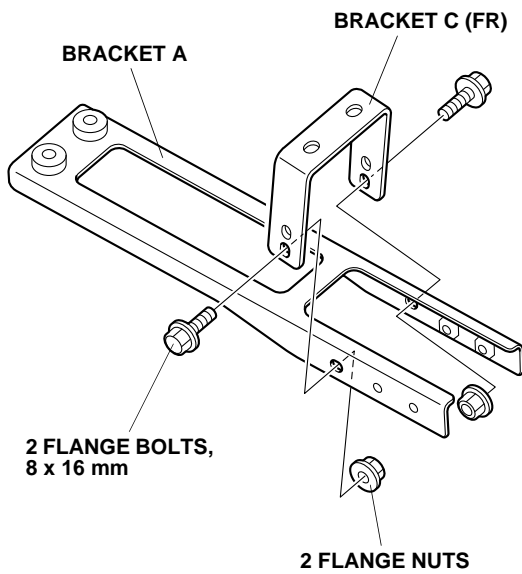
16. While wearing eye protection, drill twelve holes on the right under cover with a 3 mm drill bit, then enlarge the holes to 10 mm using a 10 mm drill bit. NOTE: Do not damage the insulator when drilling the right under cover.



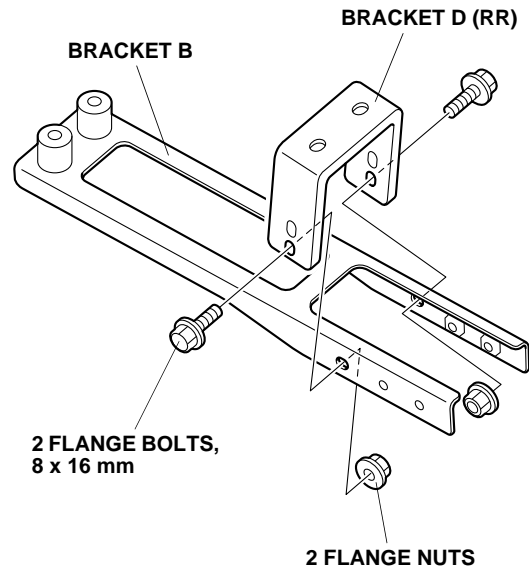
17. Using an air saw, cut out the right under cover in the areas shown. Remove any burrs.  
NOTE: Do not damage the insulator when cutting the right under cover.



18. Loosely install bracket C (FR) to bracket A using two 8 x 16 mm flange bolts and two flange nuts.

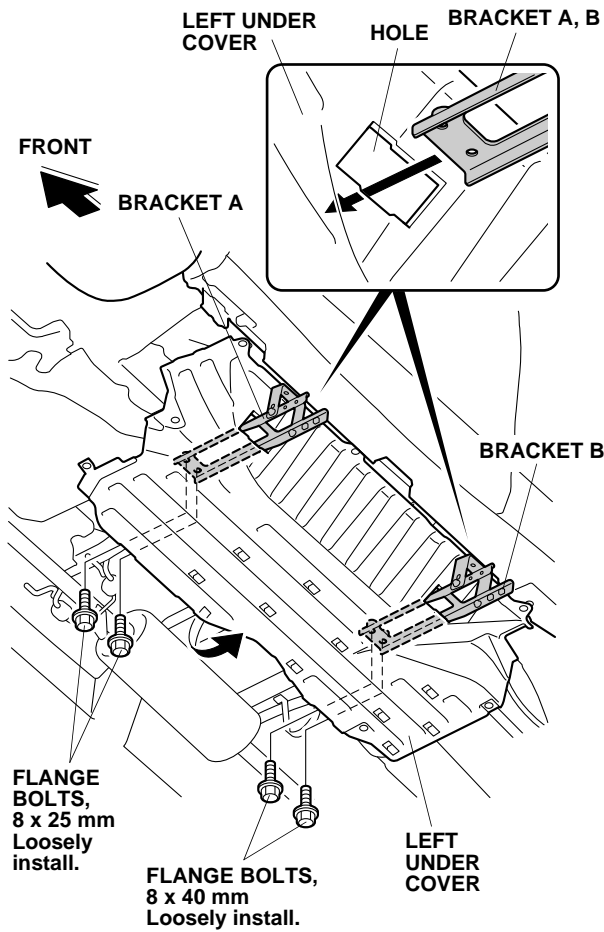


19. Loosely install bracket D (RR) to bracket B using two 8 x 16 mm flange bolts and two flange nuts.



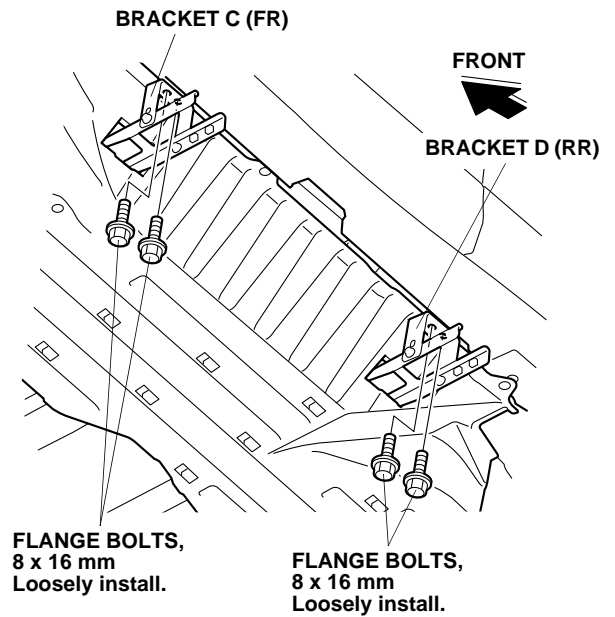


20. Insert the bracket A and bracket B through the holes in the left under cover as shown.

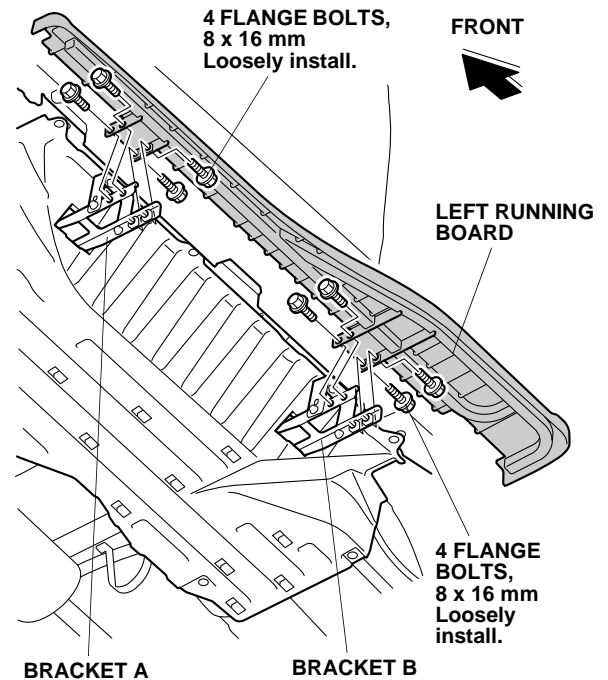


21. With the help of an assistant, bring the left under cover close to the vehicle and loosely install bracket A and bracket B to the vehicle panel using two 8 x 25 mm flange bolts and two 8 x 40 mm flange bolts.

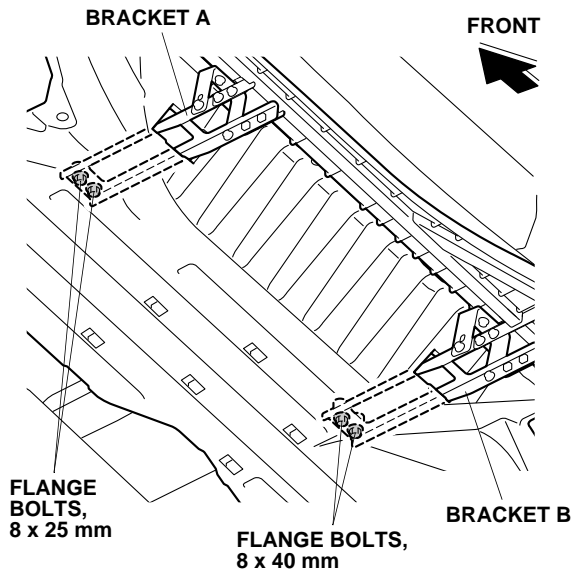
22. Loosely install bracket C (FR) and bracket D (RR) to the vehicle panel using four 8 x 16 mm flange bolts.



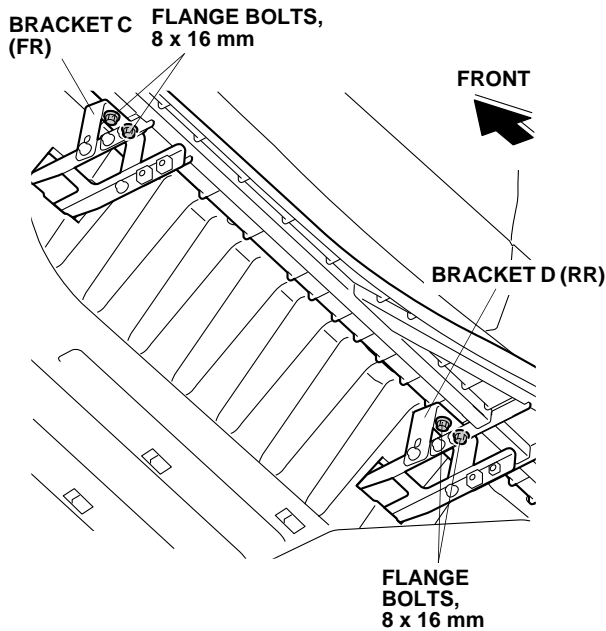
23. With the help of an assistant, loosely install the left running board to bracket A and bracket B using eight 8 x 16 mm flange bolts.



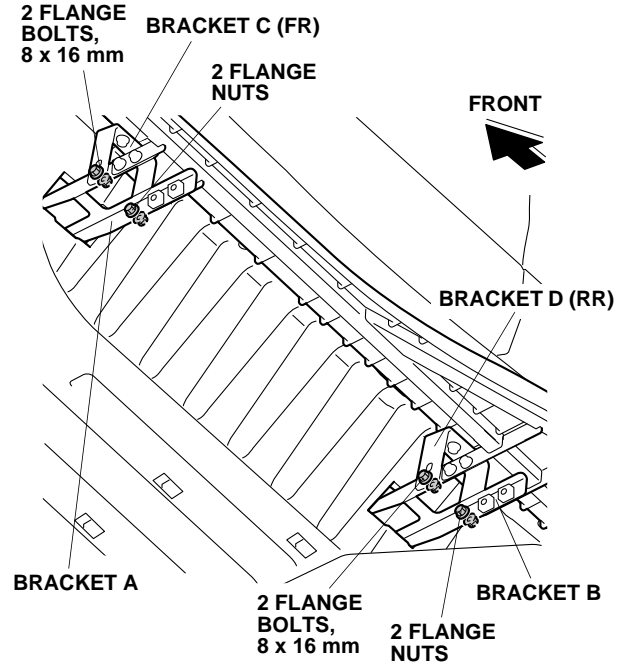
24. Torque the four 8 x 25 mm flange bolts and the four 8 x 40 mm flange bolts loosely installed in step 21 to 22 N·m (16 lbf·ft).



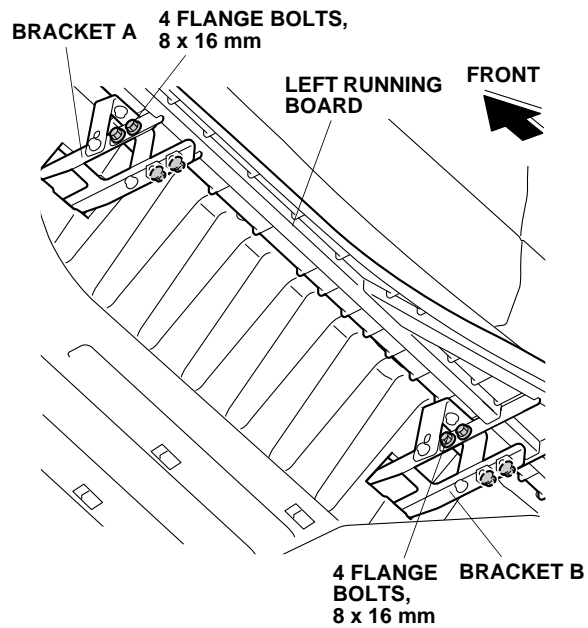
25. Torque the eight 8 x 16 mm flange bolts loosely installed in step 22 to 22 N·m (16 lbf·ft).



26. Torque the eight 8 x 16 mm flange bolts and eight flange nuts loosely installed in step 13 and 18 to 22 N·m (16 lbf·ft).



27. Torque the eight 8 x 16 mm flange bolts loosely installed in step 23 to 22 N·m (6 lbf·ft).



28. Reinstall the canister pipe guard and left under cover.
29. Repeat steps 18 through 27 on the right side of the vehicle.