



## INSTALLATION INSTRUCTIONS

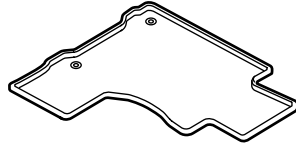
Accessory  
ALL-SEASON FLOOR MATS  
P/N 08P13-SWA-100

Application  
2010 CR-V

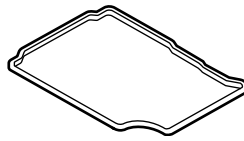
Publications No.  
All 42589  
Issue Date  
AUG 2009

### PARTS LIST

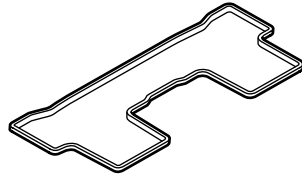
Driver's side front all-season mat



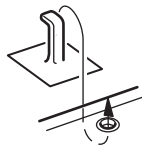
Passenger's side front all-season mat



Rear all-season mat



2 Floor carpet anchors

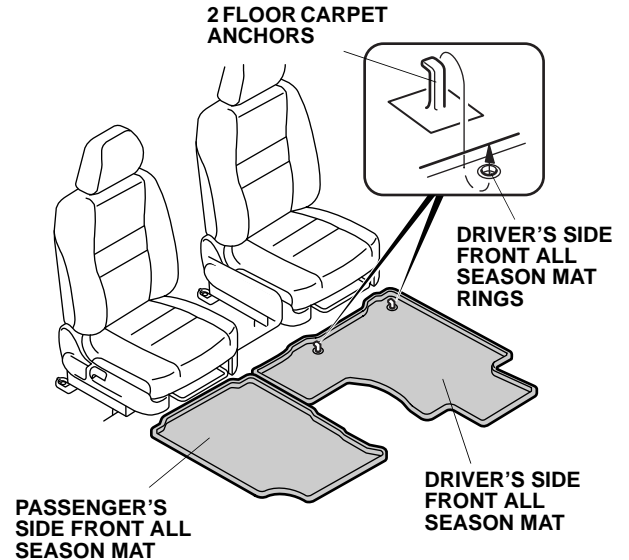


### INSTALLATION

#### NOTE:

- Before installing, identify each all-season mat.
- Remove the standard mats before installing these new all-season mats.
- The two floor carpet anchors (standard equipment) are required for the driver's side of the vehicle; the anchors prevent the driver's side all-season mat from sliding forward and interfering with the pedals.
- If you remove the floor mat, make sure you re-anchor it when you put it back in your vehicle.
- Do not put additional floor mats on top of the anchored mat; the additional mats may slide forward and possibly interfere with the floor pedals.

1. Install the driver's side front all-season mat by over the placing the two mat rings two anchors on the floor carpet.



2. Install the passenger's side front all-season mat.
3. Install the rear all-season mat.

