



## INSTALLATION INSTRUCTIONS

Accessory	Application	Publications No.
DOOR LOWER TRIMS P/N 08F57-TRT-100	2019 CLARITY	VERSION 1
		Issue Date DEC 2018

### PARTS LIST

Left front door lower trim  
(Identification mark: FR-L)



Right front door lower trim  
(Identification mark: FR-R)



Left rear door lower trim  
(Identification mark: RR-L)



Right rear door lower trim  
(Identification mark: RR-R)



4 Alcohol swabs



### TOOLS AND SUPPLIES REQUIRED

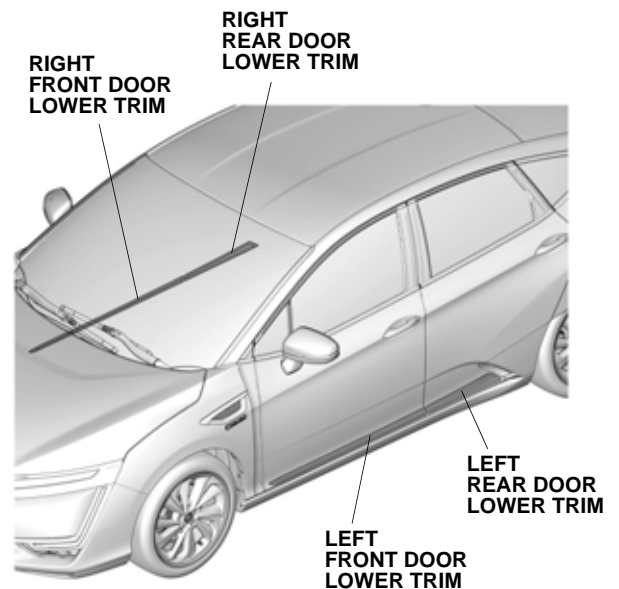
Masking tape

Ruler

*The following tool is available through the Honda Tool and Equipment Program. On the iN, click on Service > Service Bay > Tool and Equipment Program, then enter the number under "Search." Or, call 888-424-6857.*

Rubber Roller (T/N MHLE54D)

### Illustration of the Door Lower Trims Installed in the Vehicle



QF21501AJ

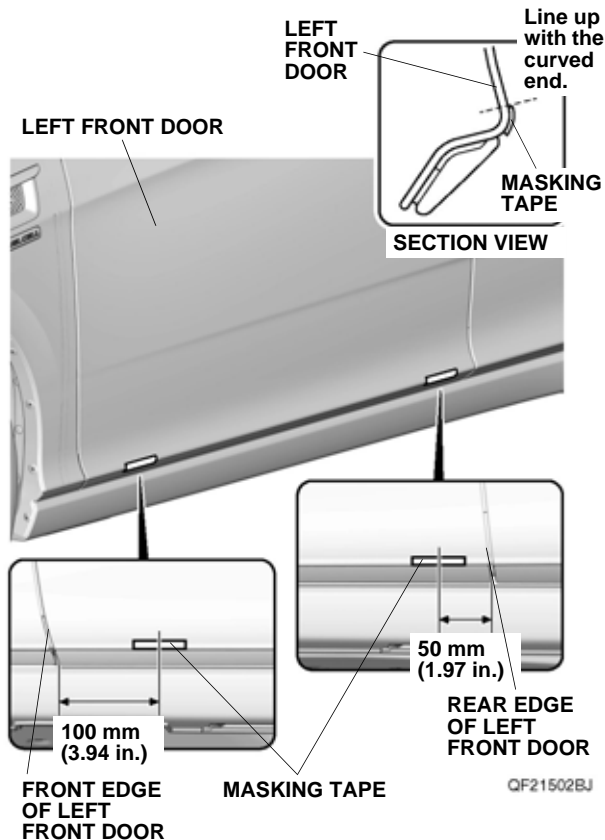
## INSTALLATION

**Customer Information:** The information in this installation instruction is intended for use only by skilled technicians who have the proper tools, equipment, and training to correctly and safely add equipment to your vehicle. These procedures should not be attempted by "do-it-yourselfers."

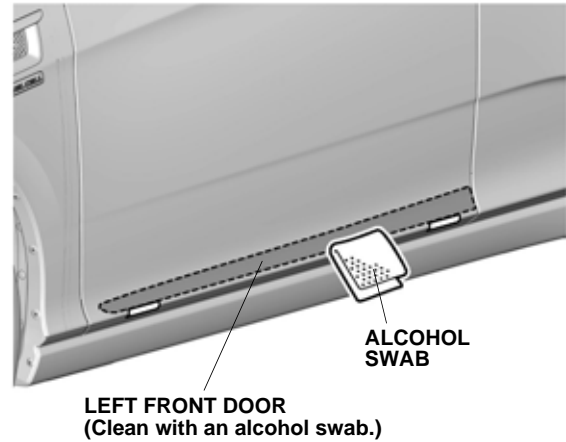
### NOTE:

- If you are also installing door edge films (sold separately), install them after you install the door lower trims.
- Be careful not to damage the paint finish.
- This door lower trim kit should be installed only if the ambient air temperature is 15°C (60°F) or above.
- To allow the adhesive to cure, do not wash the vehicle for 24 hours. Make sure your customer is aware of this.

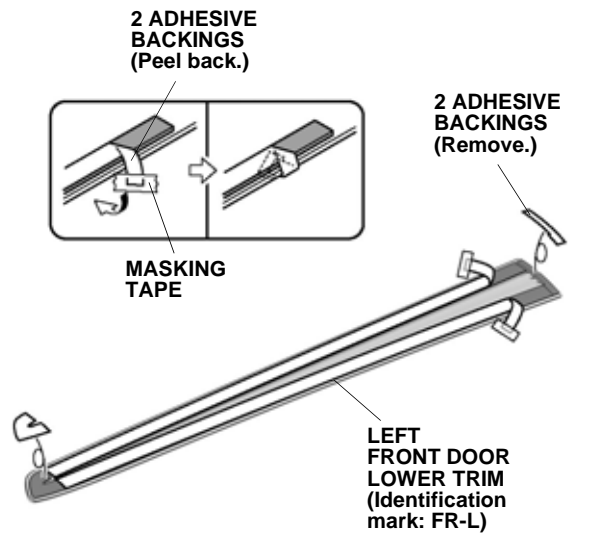
1. Apply a masking tape to the left front door as shown.



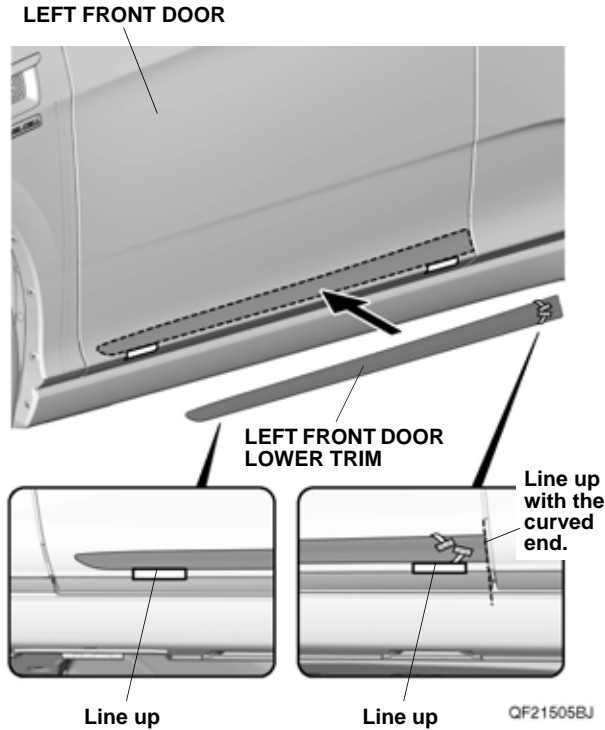
2. Using an alcohol swab, thoroughly clean the left front door where the left front door lower trim will attach.



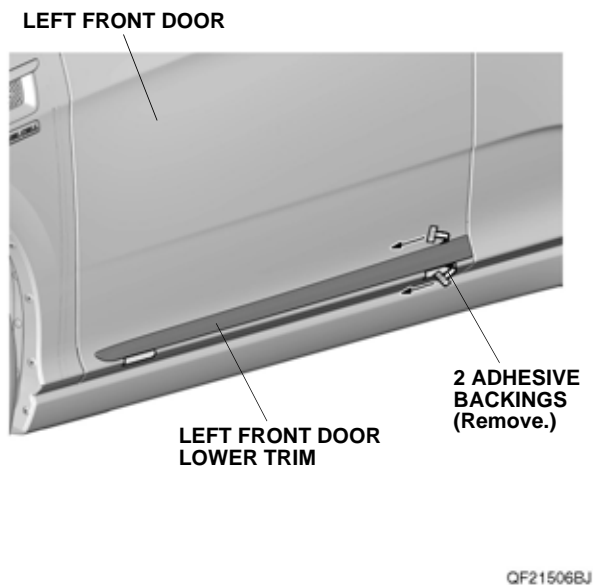
3. Peel back the adhesive backings and tape them to the front surface of the left front door lower trim with masking tape. Remove the small adhesive backings.



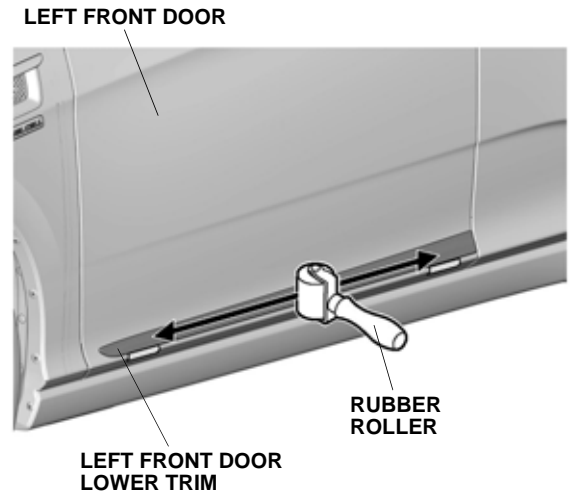
4. Line up the left front door lower trim as shown.



5. While applying light pressure against the left front door lower trim, carefully remove the taped adhesive backings.

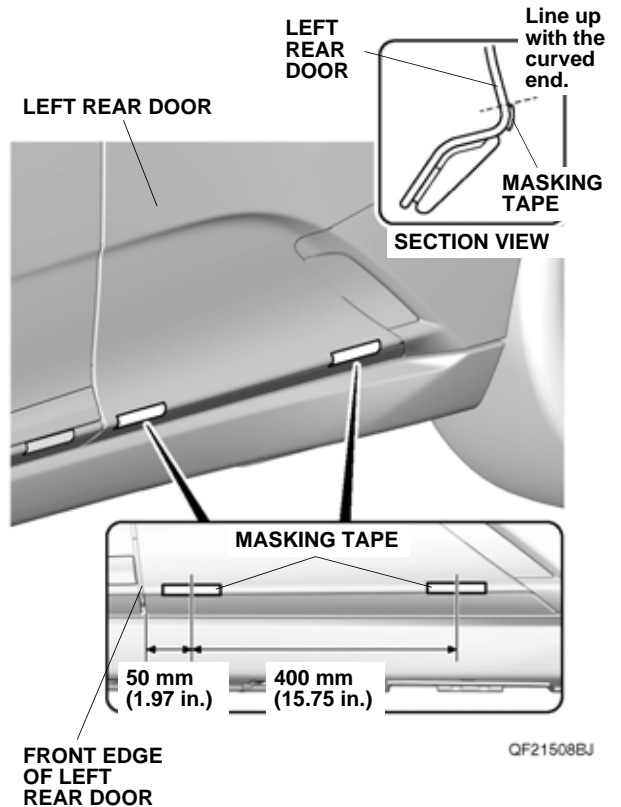


6. Using a rubber roller, apply firm pressure while rolling, especially at the ends, to set the adhesive.

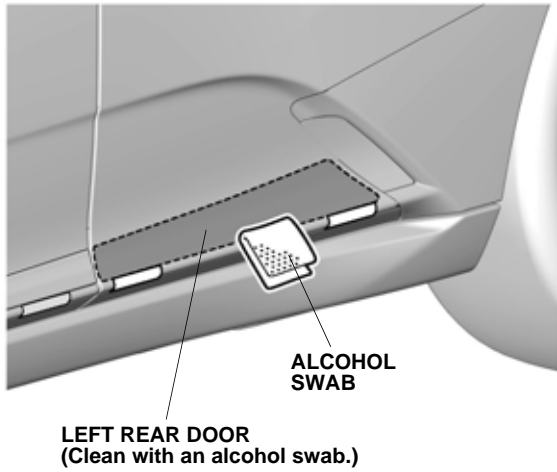


QF21507BJ

7. Apply a masking tape to the left rear door as shown.

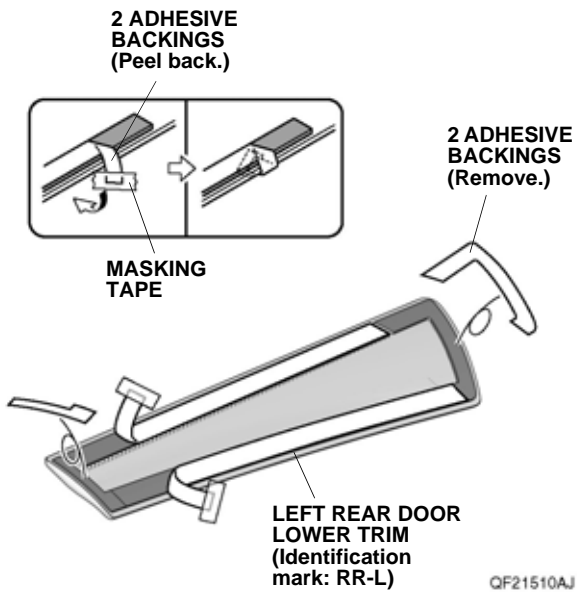


8. Using an alcohol swab, thoroughly clean the left rear door where the left rear door lower trim will attach.



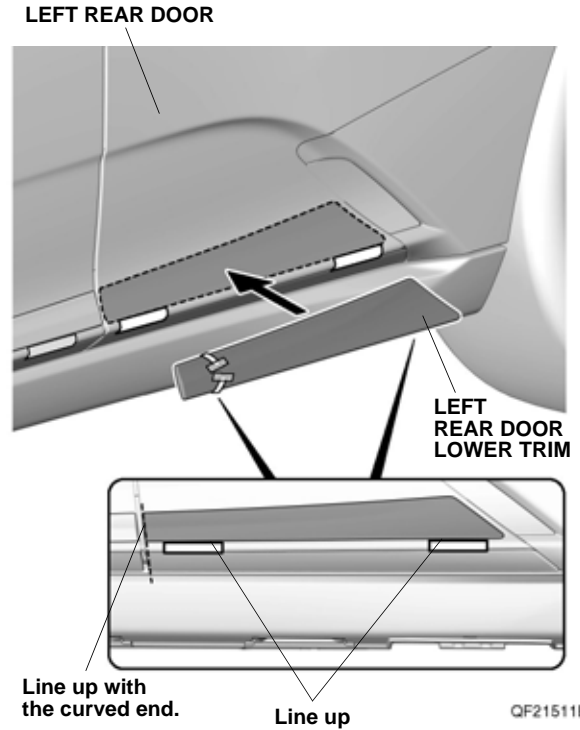
QF21509BJ

9. Peel back the adhesive backings and tape them to the front surface of the left rear door lower trim with masking tape. Remove the small adhesive backings.



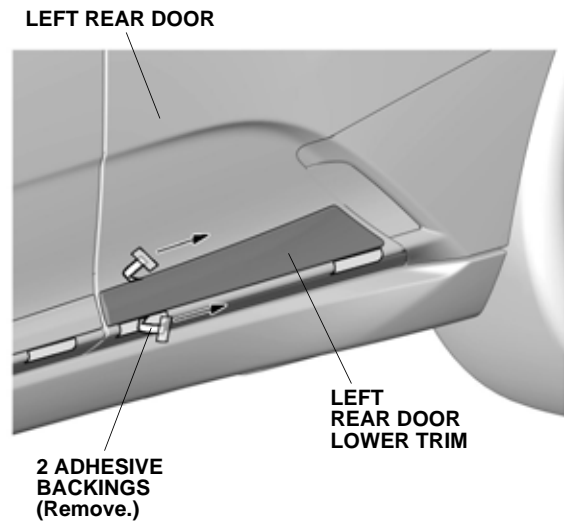
QF21510AJ

10. Line up the left rear door lower trim as shown.



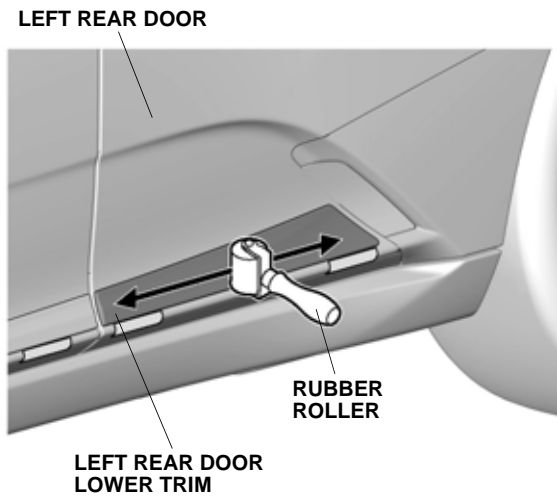
QF21511BJ

11. While applying light pressure against the left rear door lower trim, carefully remove the taped adhesive backings.



QF21512BJ

- Using a rubber roller, apply firm pressure while rolling, especially at the ends, to set the adhesive.



QF21513BJ

- Remove the masking tape.
- Repeat steps 1 through 13 to install the right door lower trims.