



## INSTALLATION INSTRUCTIONS

Accessory

TRUNK TRAY  
P/N 08U45-TRT-100

Application

2018 CLARITY  
(All Clarity Vehicles)

Publications No.

VERSION 1

Issue Date

NOV 2017

### PARTS LIST

Trunk tray



### TOOLS AND SUPPLIES REQUIRED

Utility knife

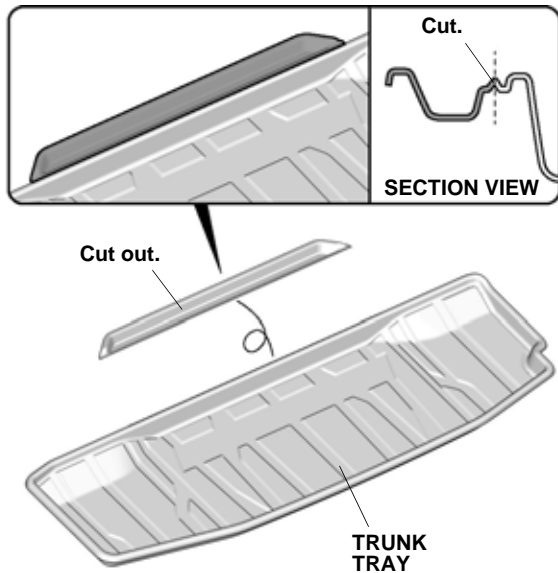
File

### INSTALLATION

For the Clarity Fuel Cell or the Clarity Electric, continue with step 1; for Clarity Plug-in Hybrid, go to step 2.

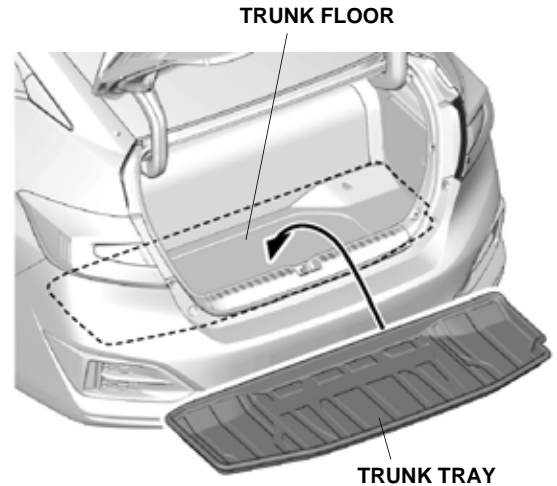
#### Clarity Fuel Cell or Clarity Electric

1. Using a utility knife, cut out the trunk tray as shown. Remove any burrs.



QG91801AT

2. Open the trunk lid. Place the trunk tray on the trunk floor.



QF42102AT