



INSTALLATION INSTRUCTIONS

Accessory

DOOR EDGE FILMS
P/N 08P20-TRT-100

Application

2018 CLARITY
(All Clarity Vehicles)

Publications No.

VERSION 1

Issue Date

NOV 2017

PARTS LIST

Left front door edge film
(Identification mark: FR-L)



Right front door edge film
(Identification mark: FR-R)



Left rear door edge film
(Identification mark: RR-L)



Right rear door edge film
(Identification mark: RR-R)



Applicator



Soft sleeve



2 Alcohol swabs



TOOLS AND SUPPLIES REQUIRED

- Shop towel
- Spray bottle
- 3M Protective tape application solution
- Ruler
- Scissors

INSTALLATION

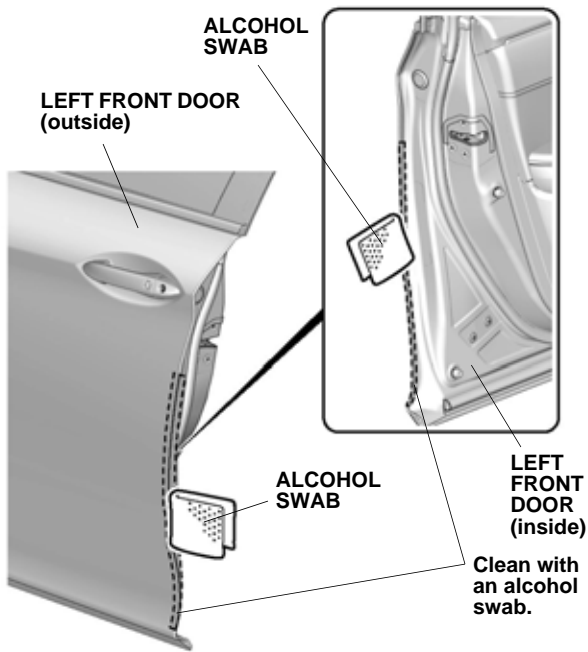
Customer Information: The information in this installation instruction is intended for use only by skilled technicians who have the proper tools, equipment, and training to correctly and safely add equipment to your vehicle. These procedures should not be attempted by "do-it-yourselfers."

NOTE:

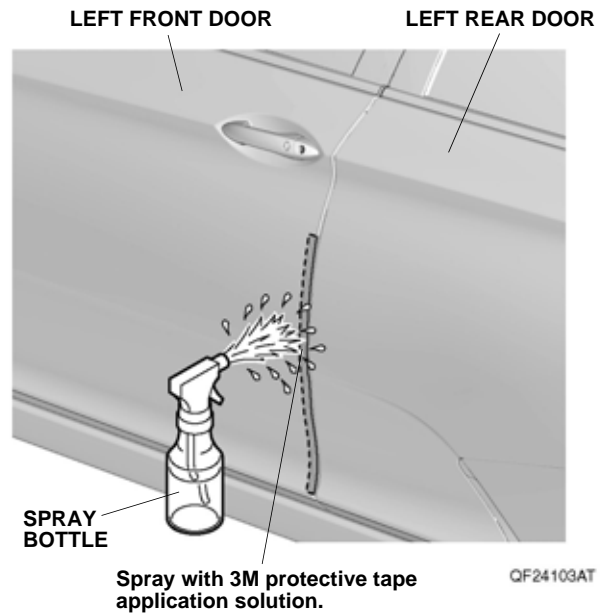
- If you are also installing body side moldings (sold separately), install them after you install the door edge films.
- If you are also installing door lower trims (sold separately), install them before you install the door edge films.
- Identify each door edge film by referring to the identification marks.
- Be careful not to damage the paint finish.
- This door edge film kit should be installed only if the ambient air temperature is 15°C (60°F) or above.
- To allow the adhesive to cure, do not wash the vehicle for 24 hours. Make sure your customer is aware of this.

1. Open the left front door and left rear door. Using an alcohol swab, thoroughly clean the areas where the left door edge films will attach.

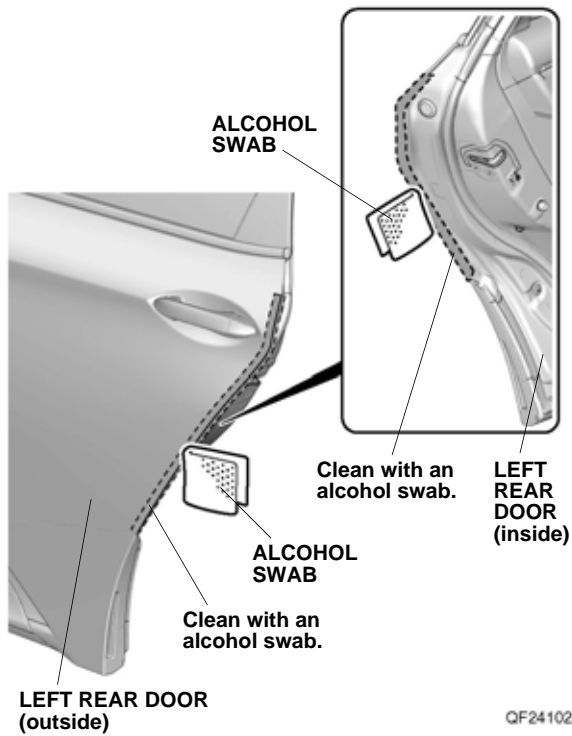
Left Front Door:



2. Close the left front door and left rear door. Using a spray bottle with 3M protective tape application solution, spray the outer area where the left front door edge film will attach.



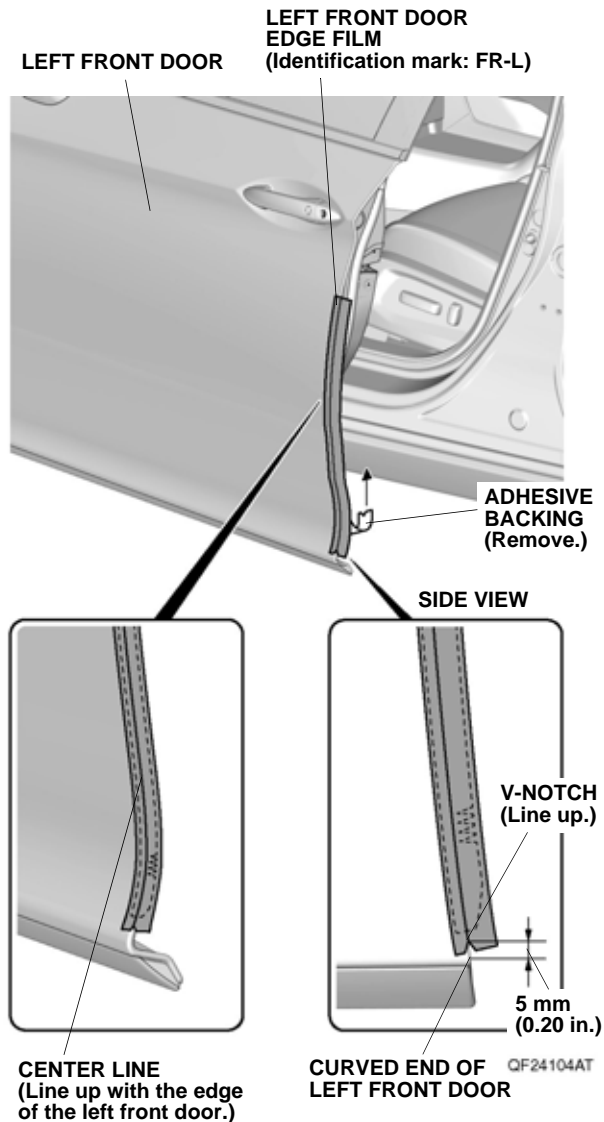
Left Rear Door:



If the vehicle is equipped with the door lower trims, go to step 5; if not, continue to step 3.

Without Door Lower Trims

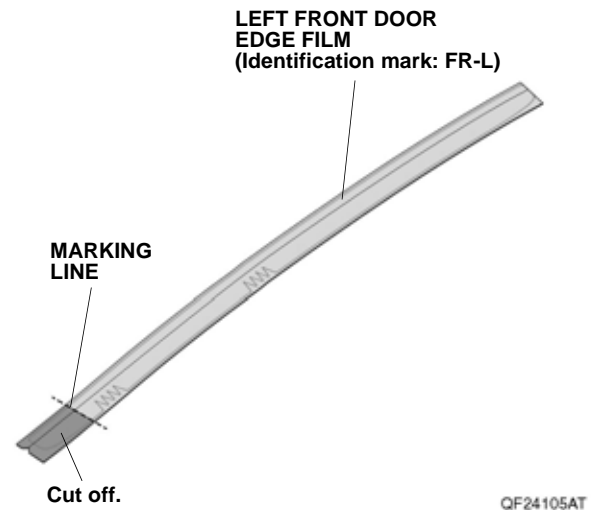
3. Open the left front door. Peel back about 50 mm (1.97 in.) of adhesive backing from the left front door edge film. Line up the left front door edge film on the left front door as shown.



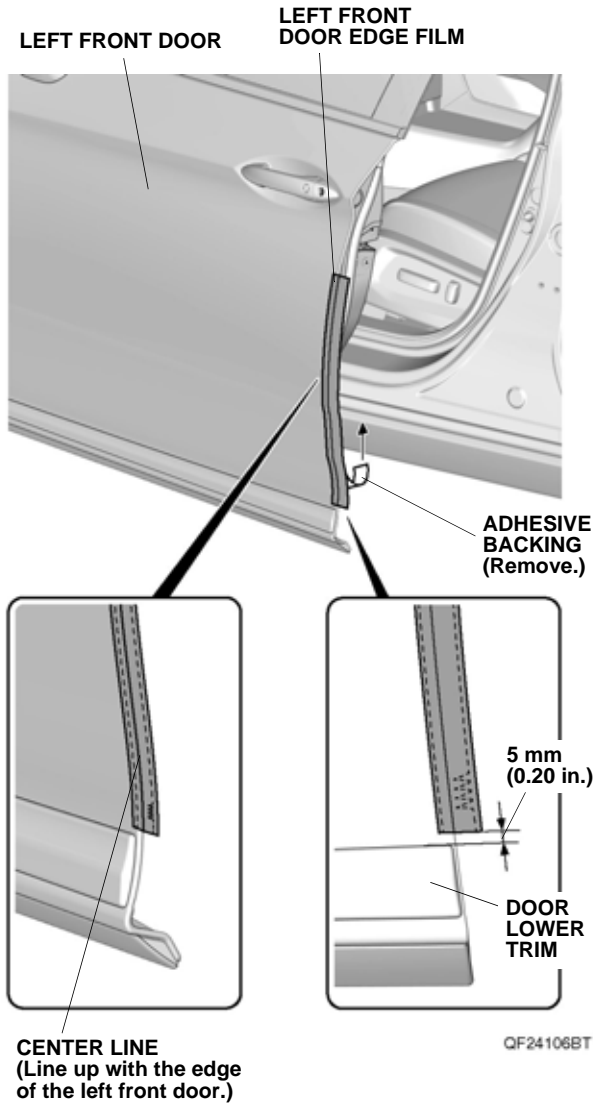
4. Line up the center line on the left front door edge film with the edge of the left front door. While applying light pressure, carefully remove the adhesive backing, and attach the left front door edge film to the left front door. Go to step 8.

With Door Lower Trims

5. Using scissors, cut off the left front door edge film as shown.

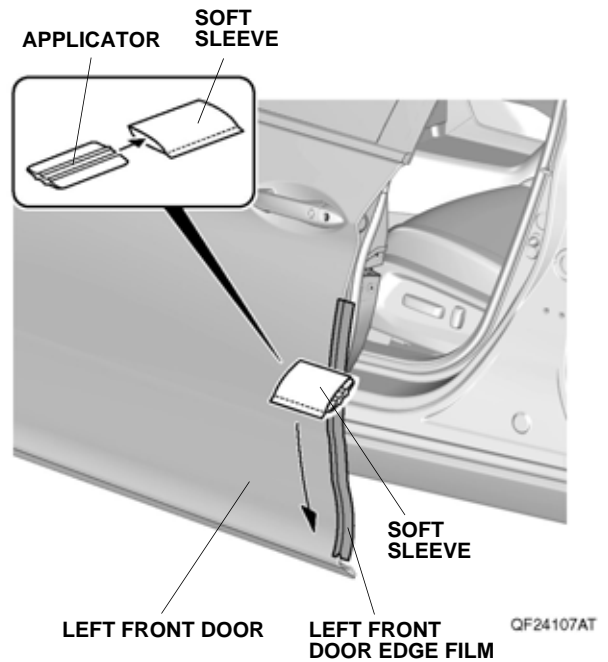


6. Open the left front door. Peel back about 50 mm (1.97 in.) of adhesive backing from the left front door edge film. Line up the left front door edge film on the left front door as shown.

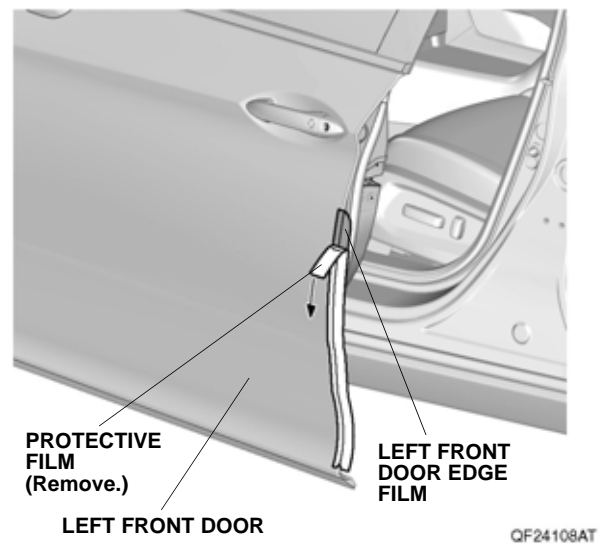


7. Line up the center line on the left front door edge film with the edge of the left front door. While applying light pressure, carefully remove the adhesive backing and attach the left front door edge film to the left front door.

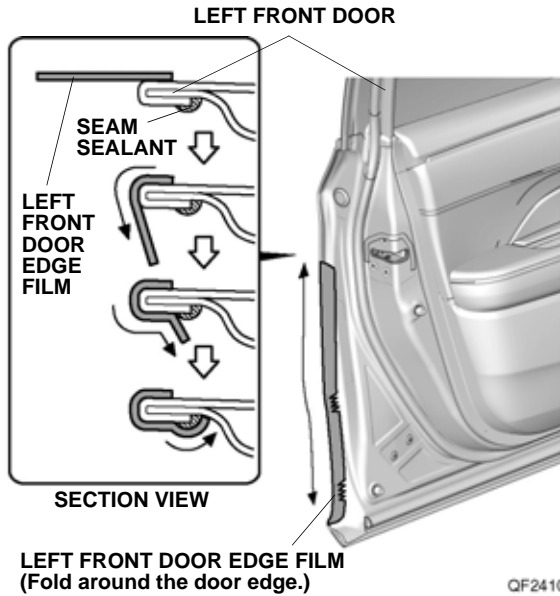
8. Insert the applicator into the soft sleeve. Starting from the top and working downward, use the soft sleeve to smooth the left front door edge film. Move the soft sleeve in one direction only.



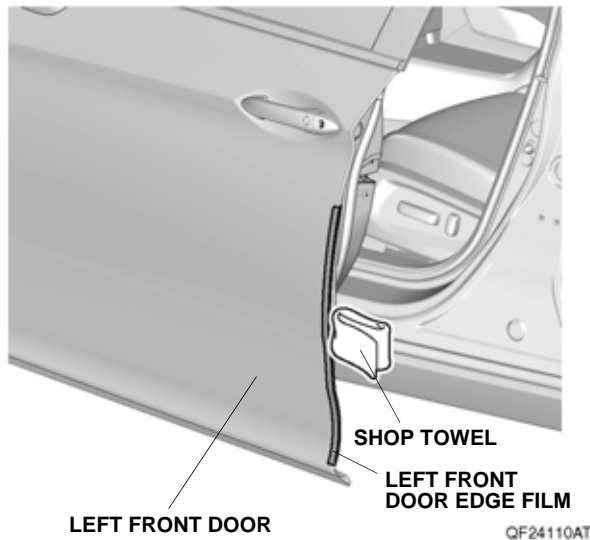
9. Slowly remove the protective film from the left front door edge film.



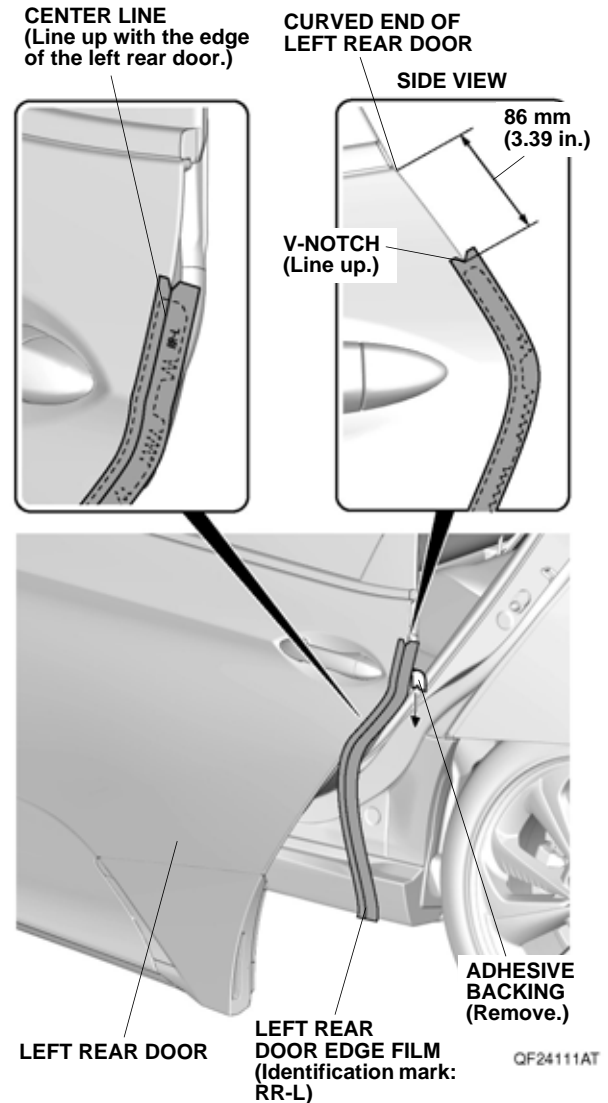
- Starting from the center and working outward, use your fingers to fold the left front door edge film around the edge of the left front door as shown. Move your fingers in one direction only. Attach the left front door edge film over the seam sealant. Do not trim or damage the seam sealant.



- Using a shop towel, wipe the excess 3M protective tape application solution from the left front door edge film. Allow the left front door edge film to thoroughly dry.

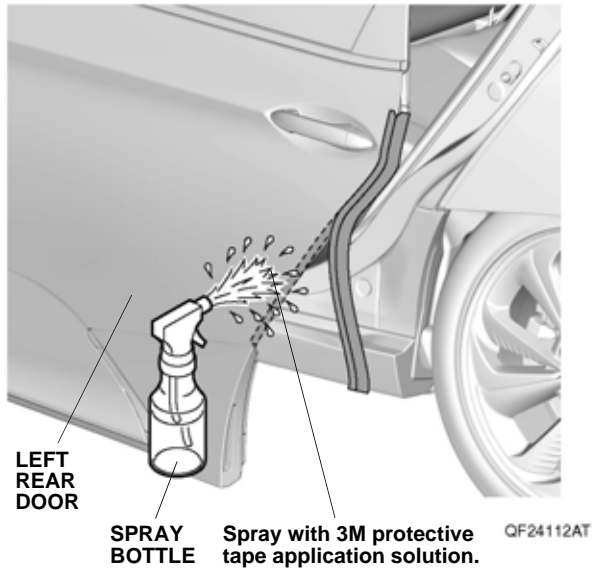


- Open the left rear door. Peel back about 50 mm (1.97 in.) of adhesive backing from the left rear door edge film. Line up the V-notch 86 mm (3.39 in.) above the left rear door as shown.

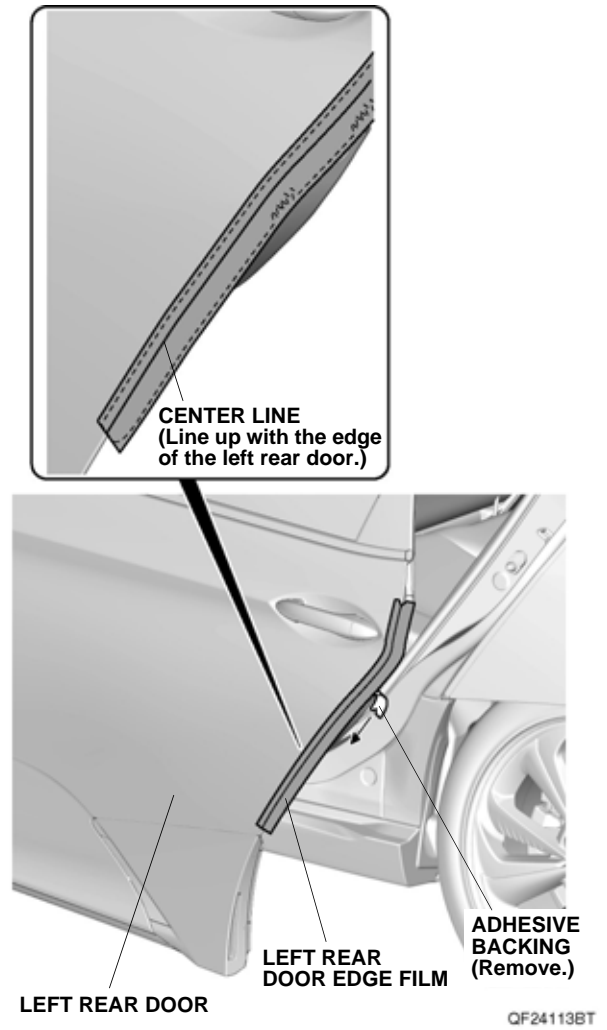


- Line up the center line on the left rear door edge film with the edge of the left rear door. While applying light pressure, carefully remove the adhesive backing, and attach the left rear door edge film to the left rear door.

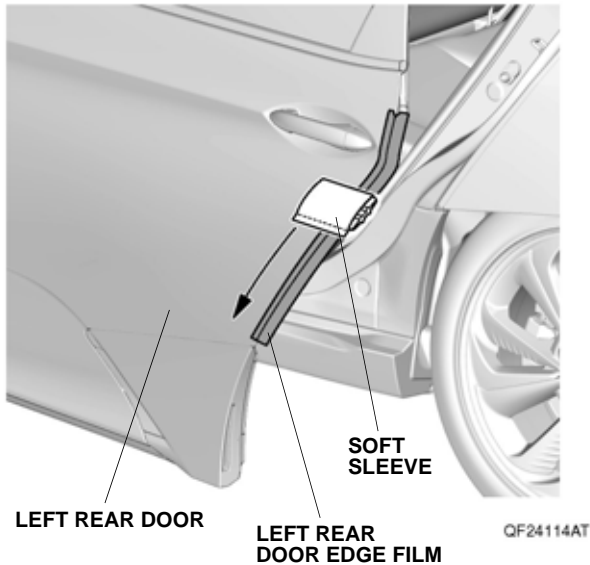
14. Using a spray bottle with 3M protective tape application solution, spray the outer area where the left rear door edge film will attach.
NOTE: Do not spray the inner surface.



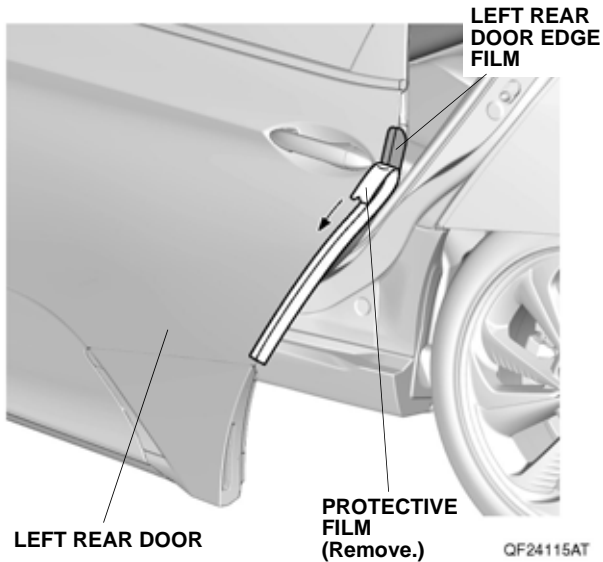
15. Line up the center line on the left rear door edge film with the edge of the left rear door. While applying light pressure, carefully remove the adhesive backing and attach the left rear door edge film to the left rear door.



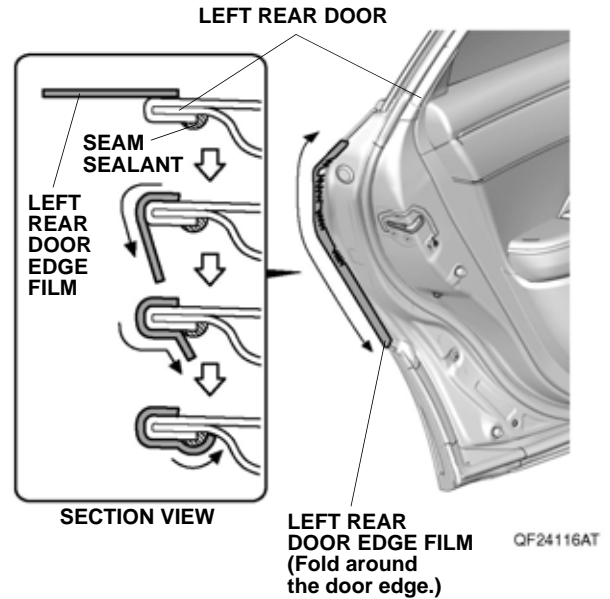
16. Starting from the top and working downward, use the soft sleeve to smooth the left rear door edge film. Move the soft sleeve in one direction only.



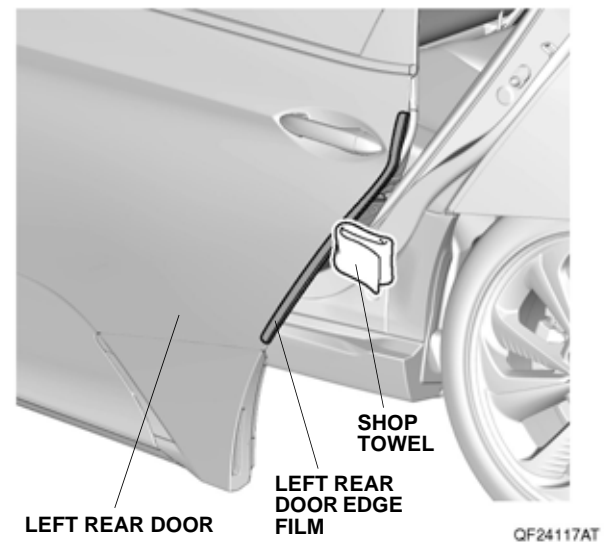
17. Slowly remove the protective film from the left rear door edge film.



18. Starting from the center and working outward, use your fingers to fold the left rear door edge film around the edge of the left rear door as shown. Move your fingers in one direction only. Attach the left rear door edge film over the seam sealant. Do not trim or damage the seam sealant.



19. Using a shop towel, wipe the excess 3M protective tape application solution from the left rear door edge film. Allow the left rear door edge film to thoroughly dry.



20. Repeat steps 1 through 19 to install the right door edge films.