

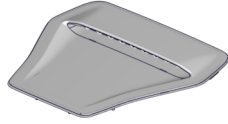


## INSTALLATION INSTRUCTIONS

Accessory	Application	Publications No.
HOOD AIR INTAKE TRIM P/N 08F06-TGH-100	2021 CIVIC TYPE R	VERSION 1
		Issue Date AUG 2020

### PARTS LIST

Hood air intake trim



### TOOLS AND SUPPLIES REQUIRED

Ratchet

Torque wrench

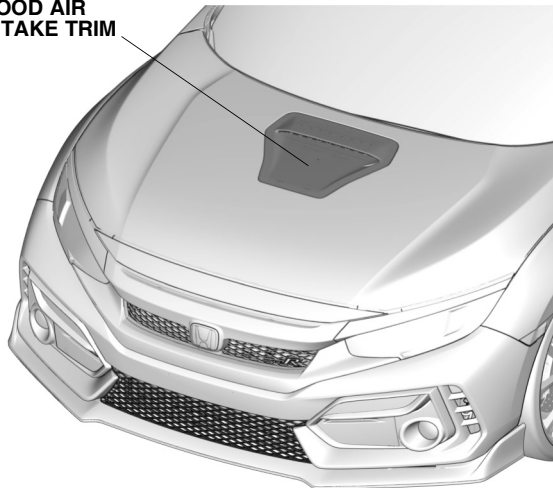
8 mm and 10 mm Sockets

The following tools are available through the Honda Tool and Equipment Program. On the iN, click on Service > Service Bay > Tool and Equipment Program, then enter the number under "Search." Or, call 888-424-6857.

- Plastic Trim Tool (T/N SILTRIMTL10)
- Trim Tool Set (T/N SOJATP2014)

### Illustration of the Hood Air Intake Trim Installed on the Vehicle

HOOD AIR INTAKE TRIM



QJ10501AU

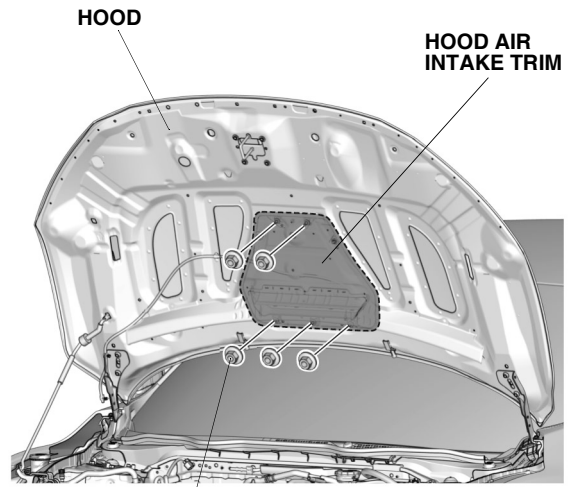
### INSTALLATION

**Customer Information:** The information in this installation instruction is intended for use only by skilled technicians who have the proper tools, equipment, and training to correctly and safely add equipment to your vehicle. These procedures should not be attempted by "do-it-yourselfers."

NOTE: Be careful not to damage the body paint finish.

1. Remove the five nuts.

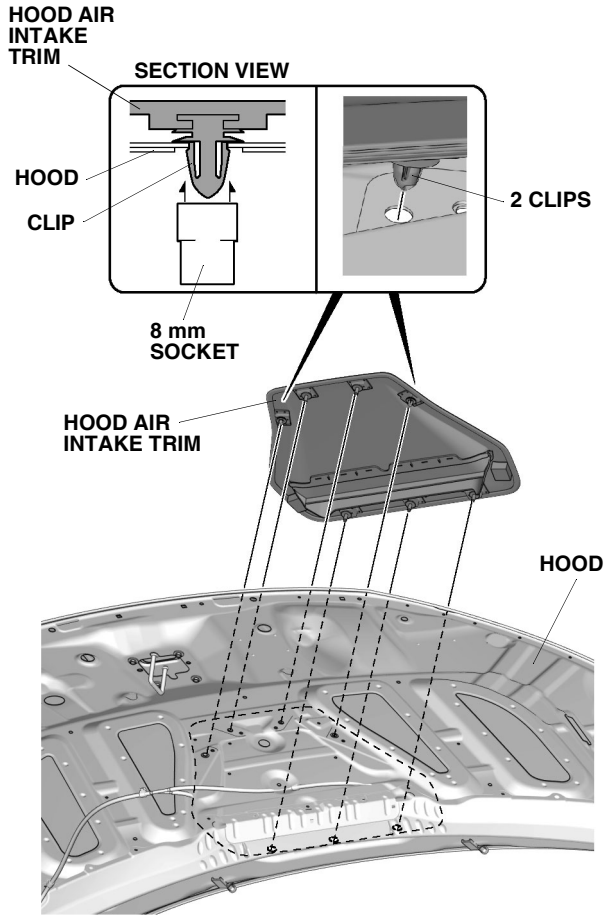
NOTE: Do not drop the nuts in the engine compartment.



5 NUTS

QJ10502AU

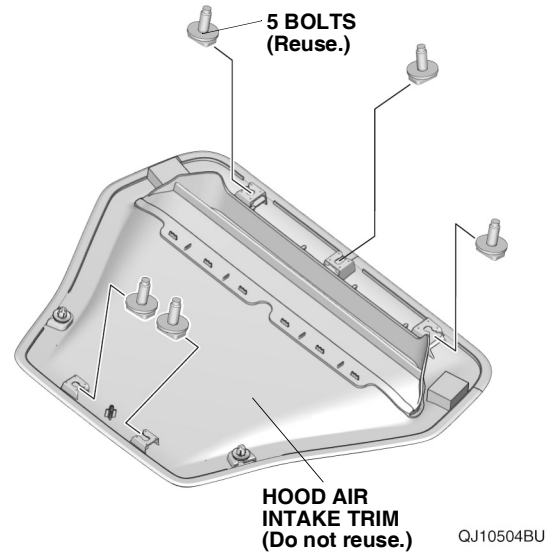
2. Remove the hood air intake trim as shown.



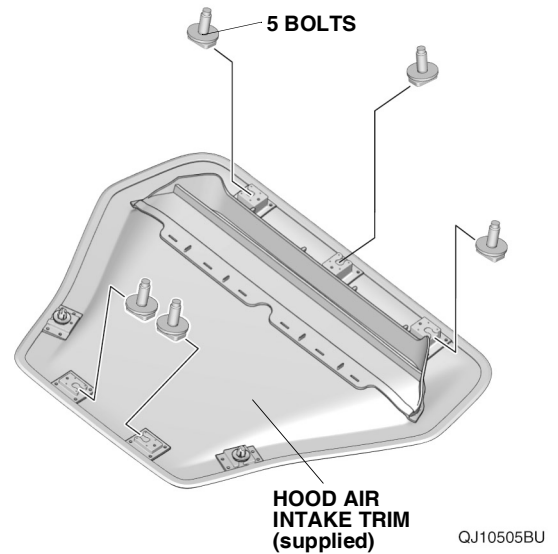
QJ61602AT

## Installing the Hood Air Intake Trim

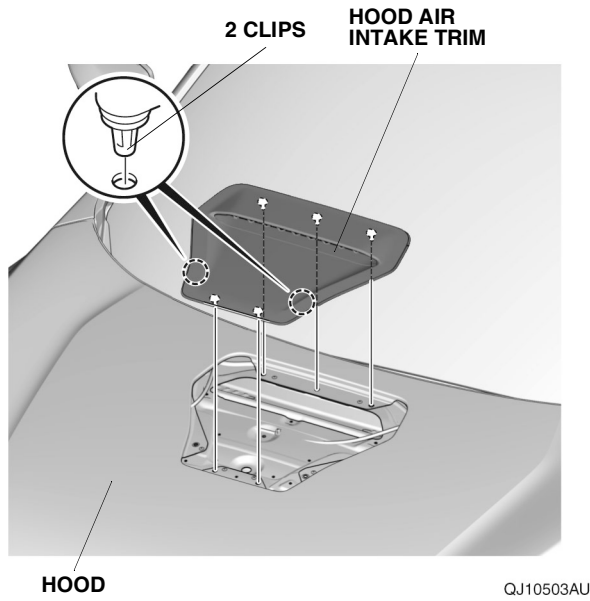
3. Remove the five bolts from the hood air intake trim.



4. Install the five bolts to the new hood air intake trim. NOTE: Make sure the bolts are fully inserted into the clip base for proper installation.



5. Install the hood air intake trim to the hood.



6. Secure the hood air intake trim to the hood with five nuts. Torque the nuts to 6.9 lb-ft (9.4 N·m).  
NOTE: Do not drop the nuts in the engine compartment.

