



## INSTALLATION INSTRUCTIONS

Accessory

SHIFT LEVER KNOB  
P/N 08U92-TEA-100

Application

2020 CIVIC TYPE R

Publications No.

VERSION 1

Issue Date

FEB 2020

### PARTS LIST

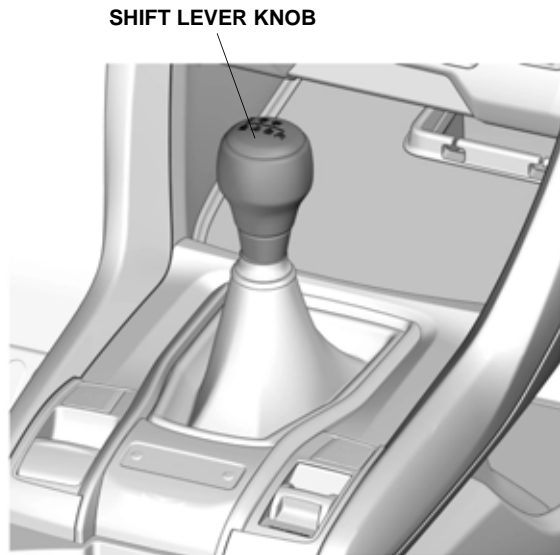
Shift lever knob



### TOOLS AND SUPPLIES REQUIRED

14 mm Open end wrench

*Illustration of the Shift Lever Knob Installed in the Vehicle*

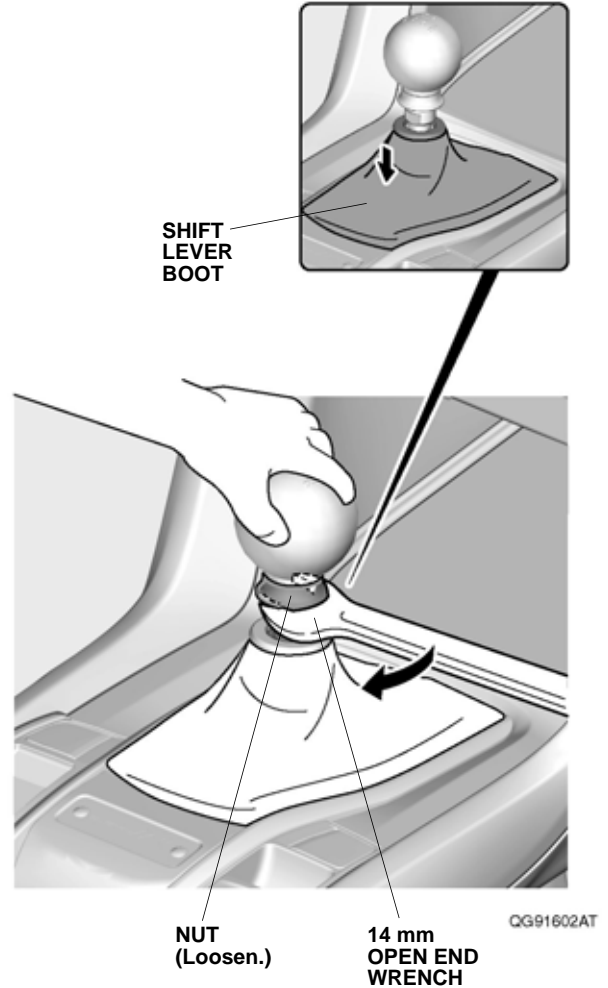


QG91601AT

### INSTALLATION

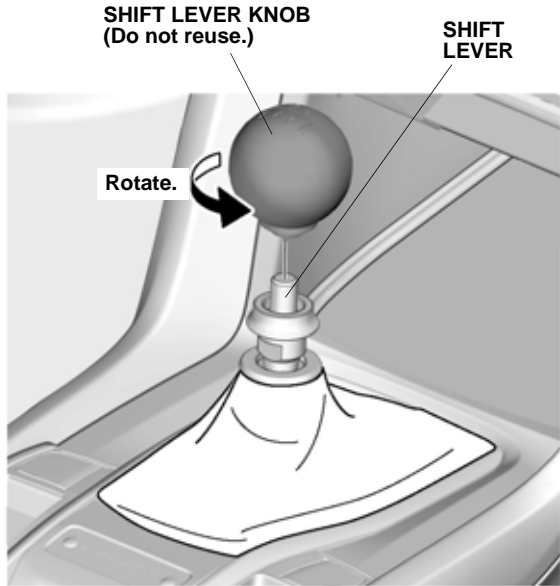
#### Installing the Shift Lever Knob

1. Lower the shift lever boot, and loosen the nut.



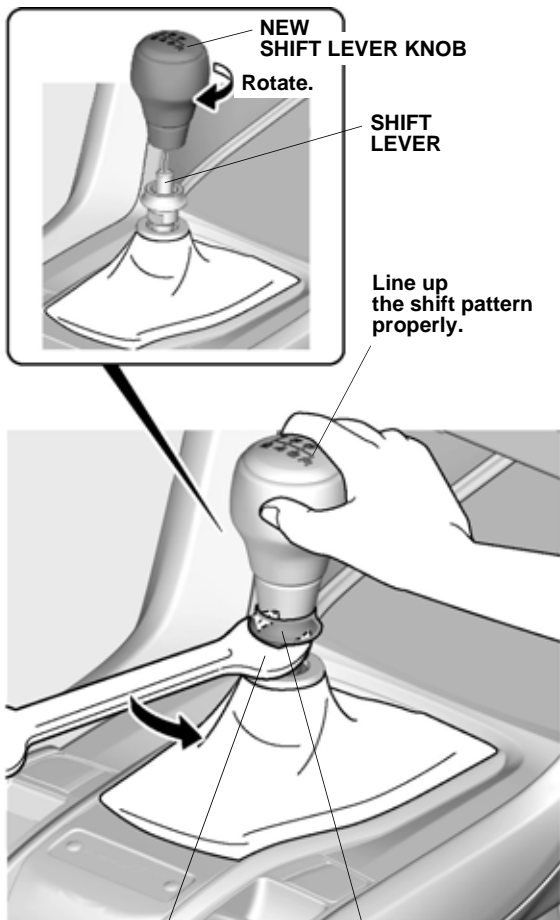
QG91602AT

2. Remove the shift lever knob.



QG91603AT

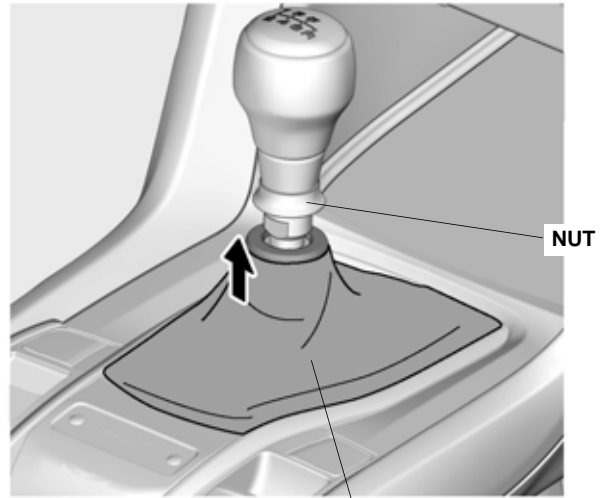
3. Install the new shift lever knob to the shift lever. Tighten the nut as shown.



NUT  
(Tighten.)

QG91604AT

4. Secure the shift lever boot to the nut.



QG91605T

### Checking the Shift Lever Knob Operation

5. Make sure the shift lever and shift lever knob operate properly in all gear positions.

Put a copy of this page in the glove box for your customer.

## CARE OF THE SHIFT LEVER KNOB

- Do not use volatile solvent (thinner, benzine, alcohol, gasoline, etc.). It may cause discoloration or stain.
- Using a soft cloth with mild soap and water, clean the shift lever knob, then wipe with a soft damped towel.