



## INSTALLATION INSTRUCTIONS

Accessory  
DOOR HANDLE PROTECTION FILMS  
P/N 08P48-TEA-100

Application  
2020 CIVIC

Publications No.  
**VERSION 1**  
Issue Date  
**AUG 2019**

### PARTS LIST

4 Door handle protection films  
(Some may not be used)



4 Alcohol wipes



### TOOLS AND SUPPLIES REQUIRED

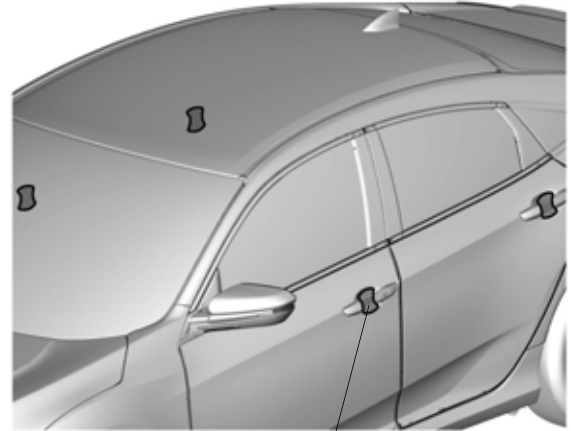
- Shop towel
- Spray bottle
- 3M Protective tape application solution
- Gloves

*The following tool is available through the Honda Tool and Equipment Program. On the iN, click on Service > Service Bay > Tool and Equipment Program, then enter the number under "Search." Or, call 888-424-6857.*

Mini Soft Spreader/Applicator (T/N SBSA2302Y5PK)

### Illustration of the Door Handle Protection Films Installed on the Vehicle

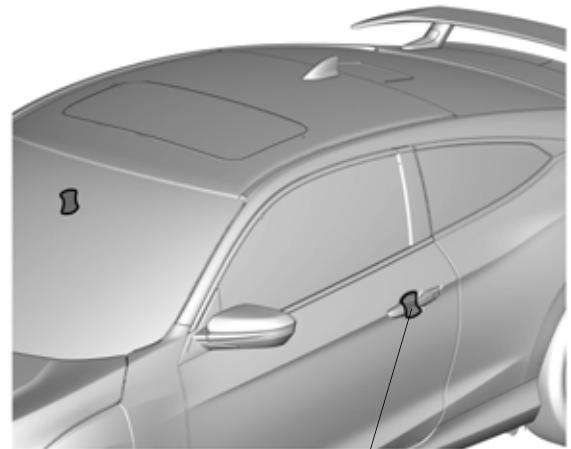
4 and 5-DOOR



4 DOOR HANDLE PROTECTION FILMS

QJ10204AU

2-DOOR



2 DOOR HANDLE PROTECTION FILMS

QJ10201AU

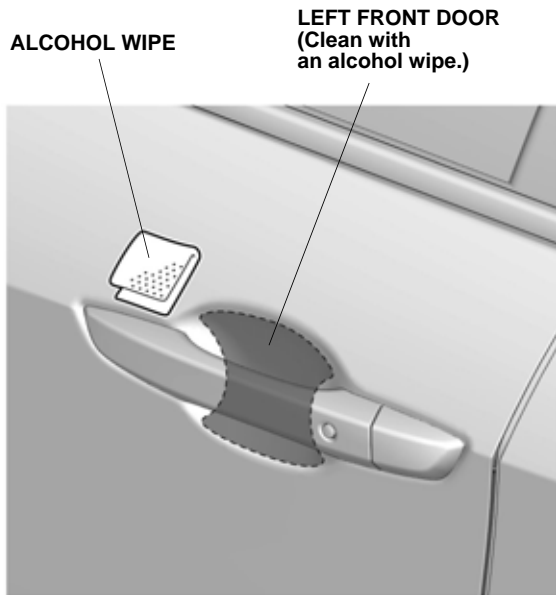
## INSTALLATION

**Customer Information:** The information in this installation instruction is intended for use only by skilled technicians who have the proper tools, equipment, and training to correctly and safely add equipment to your vehicle. These procedures should not be attempted by “do-it-yourselfers.”

### NOTE:

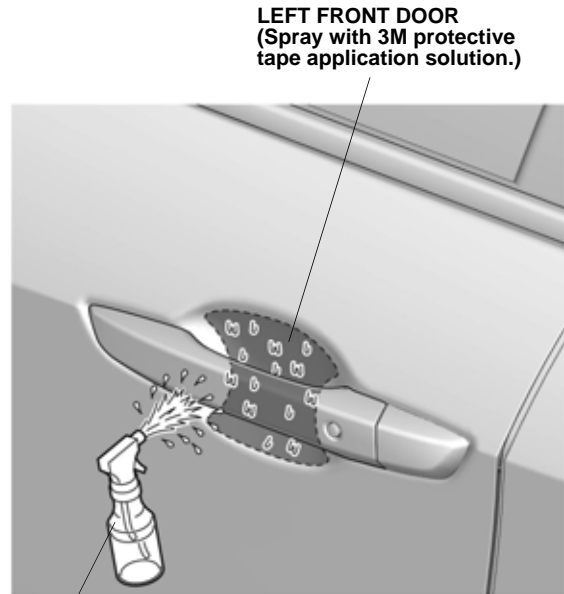
- Always wear gloves when working with 3M Protective tape application solution.
- Be careful not to damage the body paint finish.
- This door handle protection film kit should be installed only if the ambient air temperature is 60°F (15°C) or above.
- To allow the adhesive to cure, do not wash the vehicle for 24 hours. Make sure the customer is aware of this.

1. Use the alcohol wipe to thoroughly clean the area where the door handle protection film will attach.



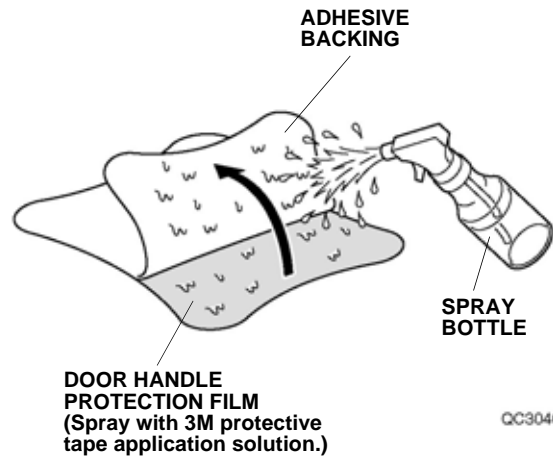
QJ10202AU

2. Using a spray bottle with 3M protective tape application solution, spray the area where the door handle protection film will attach.



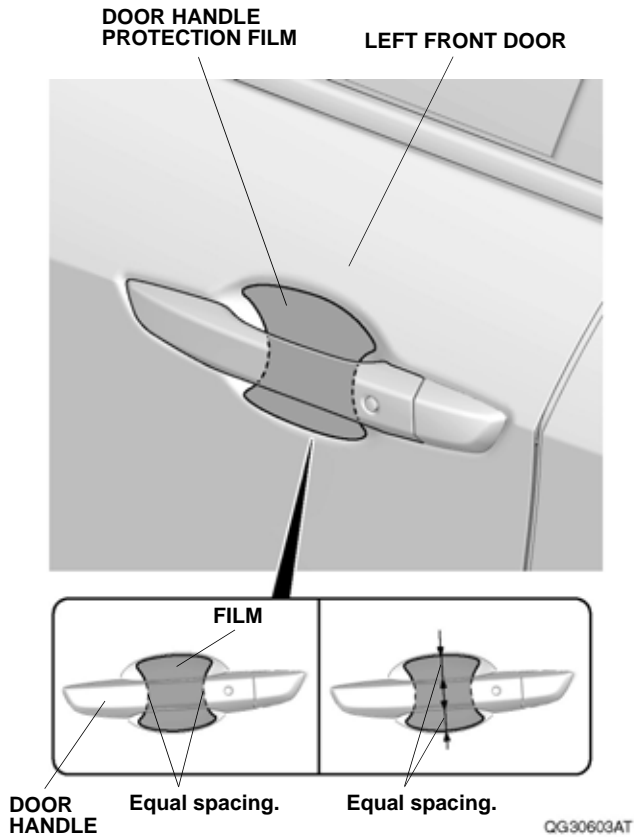
QJ10205BU

3. Remove the adhesive backing from the door handle protection film.

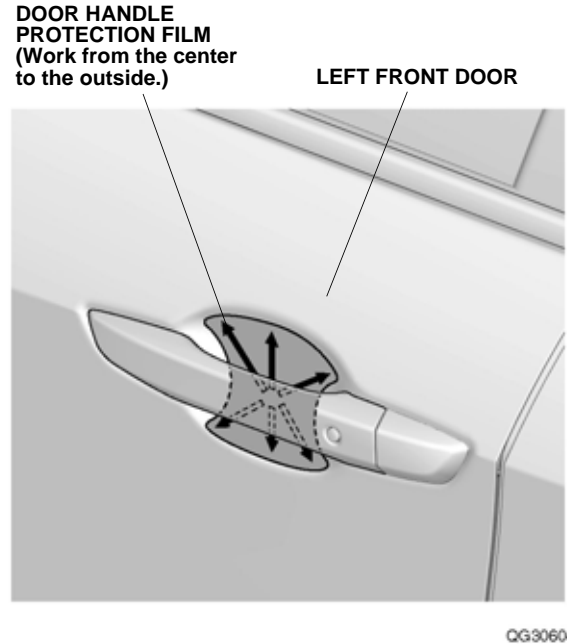


QC30402AK

4. Line up the door handle protection film to the left front door as shown.



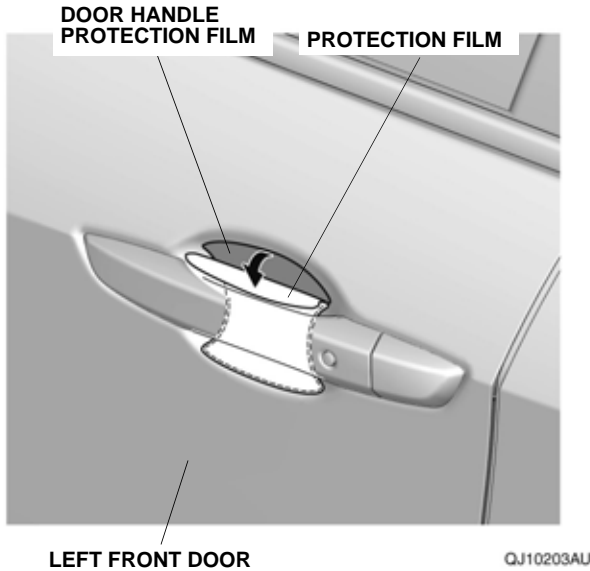
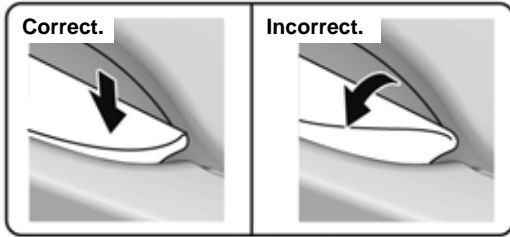
5. Starting from the center and working outward, use the mini soft spreader/applicator to smooth out the door handle protection film. If you see an air bubble, stop and gently peel up that section to work out the bubble. Work slowly and keep pressure against the door handle protection film.



6. Using a shop towel, wipe up the 3M protective tape application solution. Allow the door handle protection film to dry thoroughly.



7. Slowly remove the protective film from the door handle protection film.  
NOTE: Do not pull up on the protective film.



8. Repeat steps 1 through 7 for the other doors.