



## INSTALLATION INSTRUCTIONS

Accessory

TRUNK TRAY  
P/N 08U45-TBA-100A

Application

2020 CIVIC Si  
4-DOOR

Publications No.

VERSION 1

Issue Date

AUG 2019

### PARTS LIST

Trunk tray

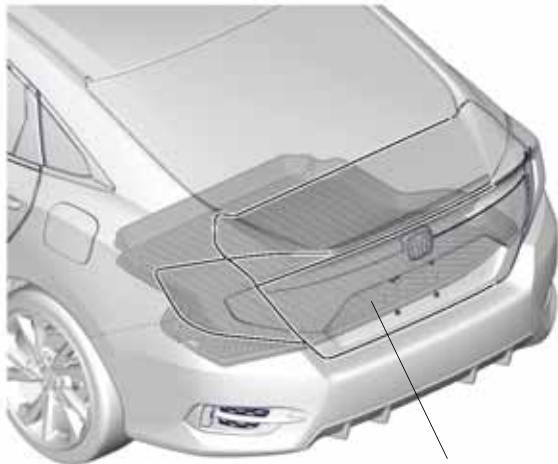


### TOOLS AND SUPPLIES REQUIRED

Utility knife

File

*Illustration of the Trunk Tray Installed in the Vehicle*



TRUNK TRAY

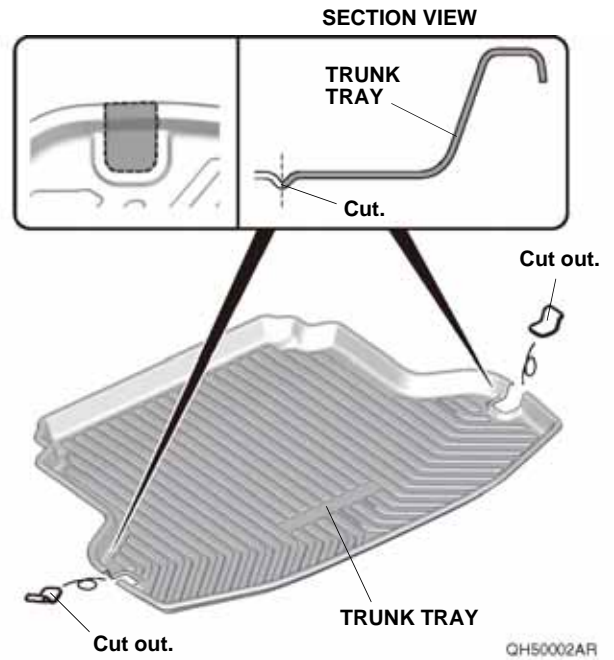
QH50001AR

### INSTALLATION

If the vehicle is equipped with an accessory cargo net, continue with step 1; if not, go to step 2.

#### With Accessory Cargo Net

1. Using a utility knife, cut out the trunk tray as shown. Remove any burrs.



2. Place the trunk tray on the trunk floor.

